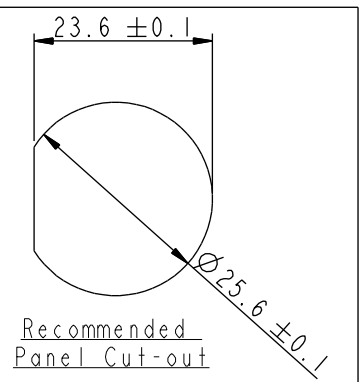
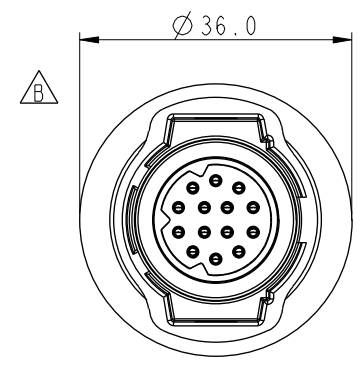
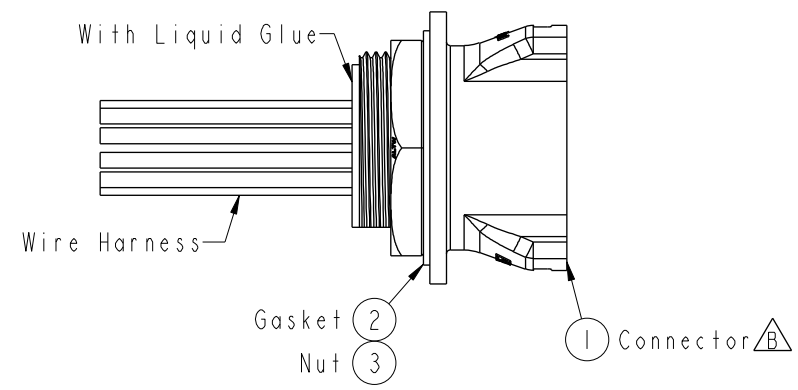
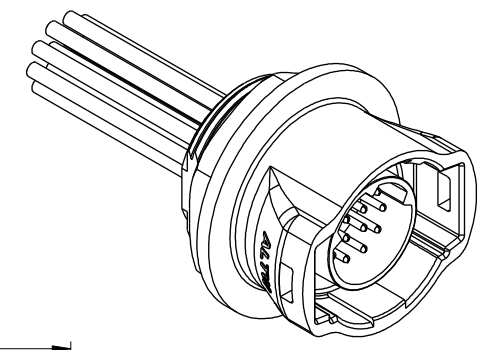
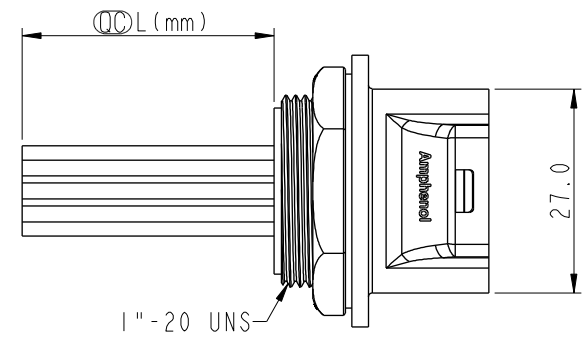


THIS DOCUMENT IS SUBJECT TO CHANGE WITHOUT NOTICE. IT IS CONFIDENTIAL AND A PROPERTY OF Amphenol LTW. DISCLOSURE TO THIRD PARTY HAS TO BE AUTHORIZED BY Amphenol LTW.

REV.	ECN NO.	DATE	SIGN	DESCRIPTION
B	LE31590218~20	2015/09/17	Joyy	Modify The Housing Structure
C	LEN1610383~85	2016/01/22	Joyy	Modify The Wire Color
D	E191618	2019/09/12	Ruru	Update Code & Wire Tolerance

ALTW
CONFIDENTIAL
 2019-09-12
R&D DEPT.



- Note:
- * $\text{\textcircled{Q}}$ Important Dimension To Check.
 - * Waterproof Rate: IP67
 - * Housing: M-PPE, Black.
 - * Male Pin: Copper Alloy, Gold Plated.
 - * Gasket: Silicone, Gray.
 - * Nut: Nylon+GF, Black.
 - * Wire Harss: ULI430 20#
 - * Panel Thickness Max: 5.0mm
 - * Recommended Nut Torque: 4~7 kgf.cm
 - * \texttriangle Wire Harness Tolerance: 100mm \pm 10mm
 101~300mm \pm 15mm
 301~1000mm \pm 20mm
 - * Prohibiting the use of place in oils.

UNIT: mm

TOLERANCE ± 0.5

TITLE LARGE PANEL RBL F CONN M PIN		
SCALE 1:1	SIZE A4	SHEET 1 OF 3
REV. D	WC-REV. A.4	$\text{\textcircled{Q}}$: Inspection item

Amphenol LTW
安費諾亮泰企業股份有限公司

ITEM NO.	DRAWN BY Ruru	DATE 2019-09-12
DWG NO. DD-XXRFMC-RC7BXX	CHECKED BY Rita	DATE 2019-09-12
CUSTOMER ALTW	APPROVED BY Max	DATE 2019-09-12

THIS DOCUMENT IS SUBJECT TO CHANGE WITHOUT NOTICE. IT IS CONFIDENTIAL AND A PROPERTY OF AMPHENOL LTW. DISCLOSURE TO THIRD PARTY HAS TO BE AUTHORIZED BY AMPHENOL LTW.

1 2 3 4 5 6 7 8

F



E

D

C

B

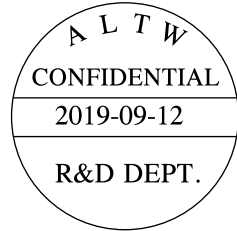
A

Pin Out

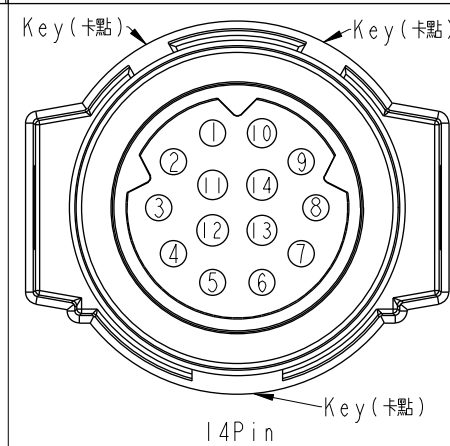
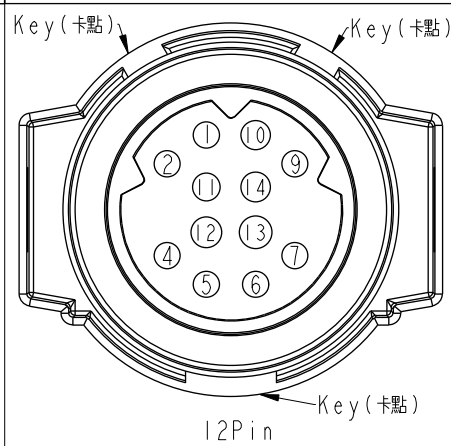
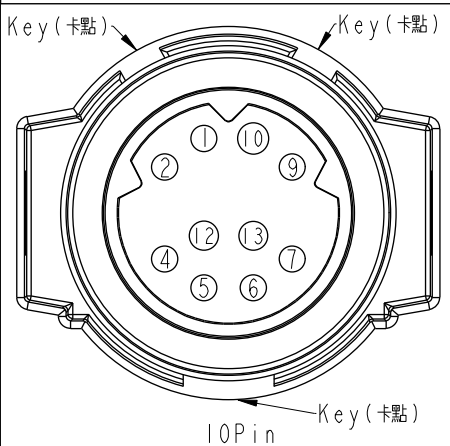
14 --
13 Purple(紫)
12 Brown(棕)
11 --
10 Orange(橘)
9 Yellow(黃)
8 --
7 Gray(灰)
6 Red(紅)
5 Green(綠)
4 Blue(藍)
3 --
2 White(白)
1 Black(黑)

14 Pink(粉紅)
13 Purple(紫)
12 Brown(棕)
11 Black/white 黑/白
10 Orange(橘)
9 Yellow(黃)
8 --
7 Gray(灰)
6 Red(紅)
5 Green(綠)
4 Blue(藍)
3 --
2 White(白)
1 Black(黑)

14 Black/White(黑/白)
13 Brown/White(棕/白)
12 Light Green(淺綠)
11 Pink(粉紅)
10 Purple(紫)
9 Brown(棕)
8 Orange(橘)
7 Yellow(黃)
6 Gray(灰)
5 Red(紅)
4 Green(綠)
3 Blue(藍)
2 White(白)
1 Black(黑)



Pin Assignments Front View



UNIT:mm TOLERANCE ±0.5

TITLE LARGE PANEL RBL F CONN M PIN
SCALE 1:1 SIZE A4 SHEET 2 OF 3
REV. D WC-REV. A.4 Inspection item

Amphenol LTW
安費諾亮泰企業股份有限公司

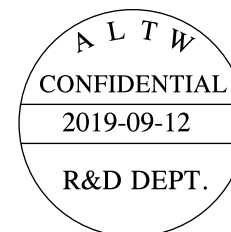
ITEM NO
DWG NO DD-XXRFMC-RC7BXX
CUSTOMER ALTW

DRAWN BY Ruru
CHECKED BY Rita
APPROVED BY Max

DATE 2019-09-12
DATE 2019-09-12
DATE 2019-09-12

1 2 3 4 5 6 7 8 W10814-03-#01A2

THIS DOCUMENT IS SUBJECT TO CHANGE WITHOUT NOTICE. IT IS CONFIDENTIAL AND A PROPERTY OF AMPHENOL LTW. DISCLOSURE TO THIRD PARTY HAS TO BE AUTHORIZED BY AMPHENOL LTW.



DD-XXRFMC-RC7BXX

Large Size Current Rating 5A

XX:No. Of Pin(Pin 數)

R:Panel Rear Mounting(後續嵌面板式)

F:Female Connector(母座)

M:Male Pin(公Pin)

C: Crimp Type(壓線組裝式)

10:100mm

15:150mm

20:200mm

↓

△ A0:1000mm

Cable Pitch Unit=50mm

Wire Length (L):100~1000 mm

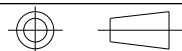
B:UL 1430

7:IP67(防水等級 67)

C:Circular(圓座)

R:Snap In With Latch(彈臂卡合)

UNIT:mm



TOLERANCE

TITLE LARGE PANEL RBL F CONN M PIN			
SCALE 1:1	SIZE A4	SHEET 3 OF 3	
REV. D	WC-REV. A.4	QC: Inspection item	

Amphenol LTW
安費諾亮泰企業股份有限公司

ITEM NO	DRAWN BY Ruru	DATE 2019-09-12
DWG NO DD-XXRFMC-RC7BXX	CHECKED BY Rita	DATE 2019-09-12
CUSTOMER ALTW	APPROVED BY Max	DATE 2019-09-12