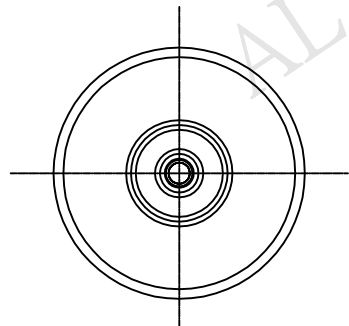
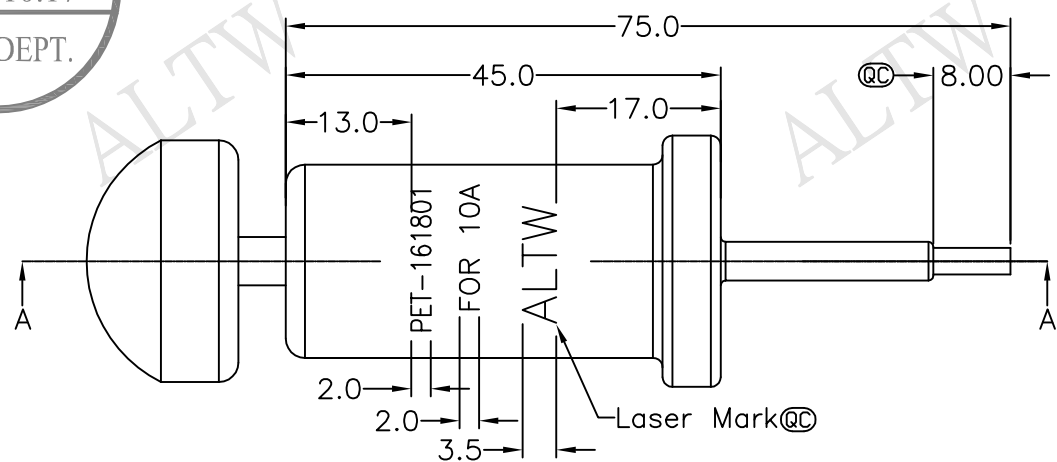
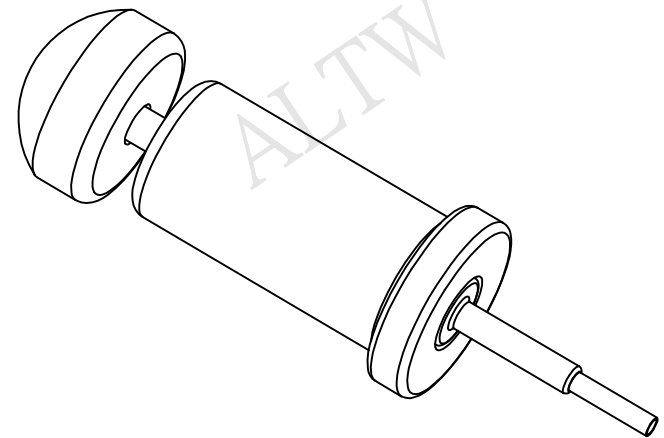
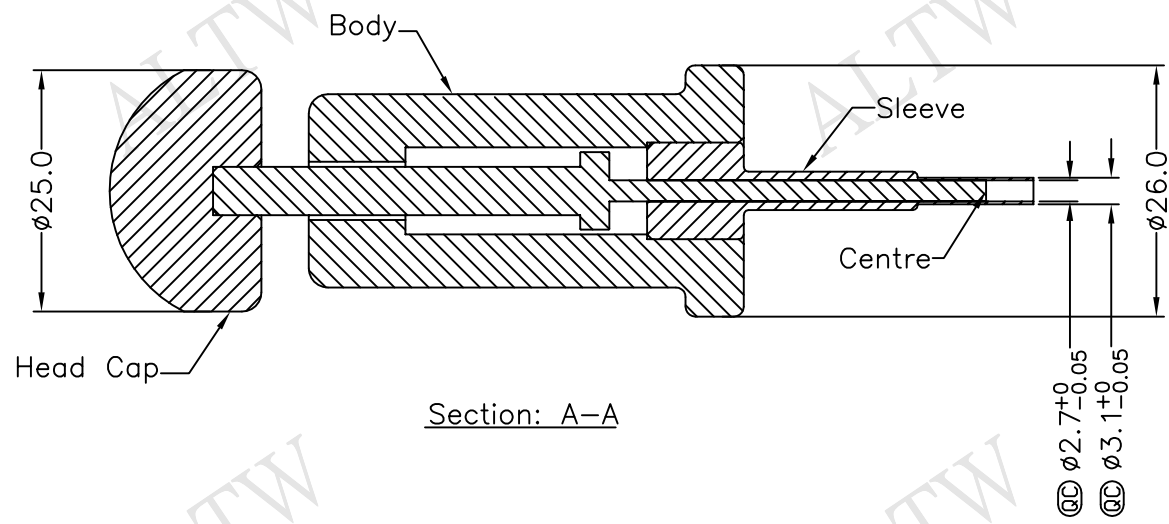


ALTW  
CONFIDENTIAL  
2015.10.17  
R&D DEPT.

REV.	ECN NO.	DATE	SIGN	DESCRIPTION
A	Initial Release	2015/10/17	Mafei	Change Rev.01 To Rev.A



ALTW  
DCC. DEPT.  
CONFIDENTIAL  
2015.10.20  
ISSUED



- Note:
- \* @@Important Dimension To Check.
  - \* Cap & Body: POM, Black.
  - \* Centre & Sleeve: SKD61
  - \* Laser Mark: Arial.
  - \* All Parts Are RoHS Compliant.

UNIT:mm	
TOLERANCE	
.X	±0.25
.XX	±0.1
.XXX	±0.05
ANGLES	±1'

TITLE	Extraction Tooling	
SCALE	Free	SHEET 1 OF 1
REV.	A	SIZE A4
		@@ :Inspection Item

**Amphenol LTW**  
安費諾亮泰企業股份有限公司

ITEM NO	PET-161801	DRAWN BY	Mafei	DATE	2015/10/17
DWG NO	PET-161801	CHECKED BY	Arthur	DATE	2015/10/17
CUSTOMER	ALTW	APPROVED BY	Jerry	DATE	2015/10/17

THIS DOCUMENT IS SUBJECT TO CHANGE WITHOUT NOTICE. IT IS CONFIDENTIAL AND A PROPERTY OF Amphenol LTW. DISCLOSURE TO THIRD PARTY HAS TO BE AUTHORIZED BY Amphenol LTW.

A B C D E F