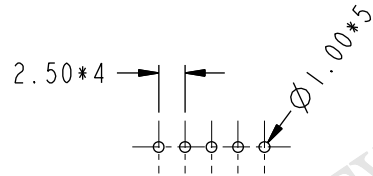
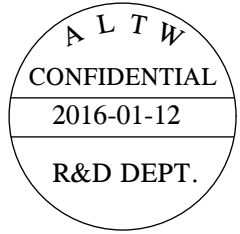
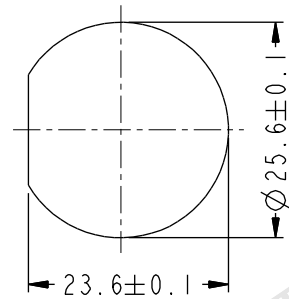


THIS DOCUMENT IS SUBJECT TO CHANGE WITHOUT NOTICE. IT IS CONFIDENTIAL AND A PROPERTY OF Amphenol LTW. DISCLOSURE TO THIRD PARTY HAS TO BE AUTHORIZED BY Amphenol LTW.

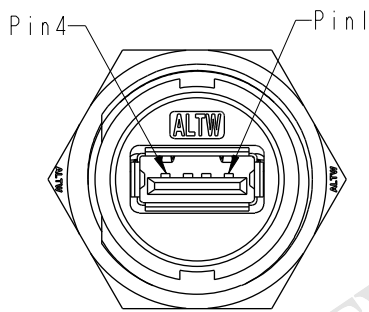
REV.	ECN NO.	DATE	SIGN	DESCRIPTION
B	LEN-7B0134	2007/11/15	Gao Ling	Modify Panel Thickness
C	LEN15C0034	2015/10/29	Ruru	Change Logo
D	LEN16I0162	2016/01/12	Ruru	Change Housing View



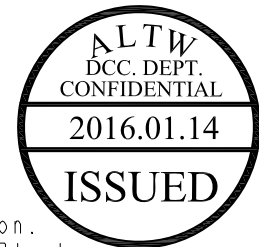
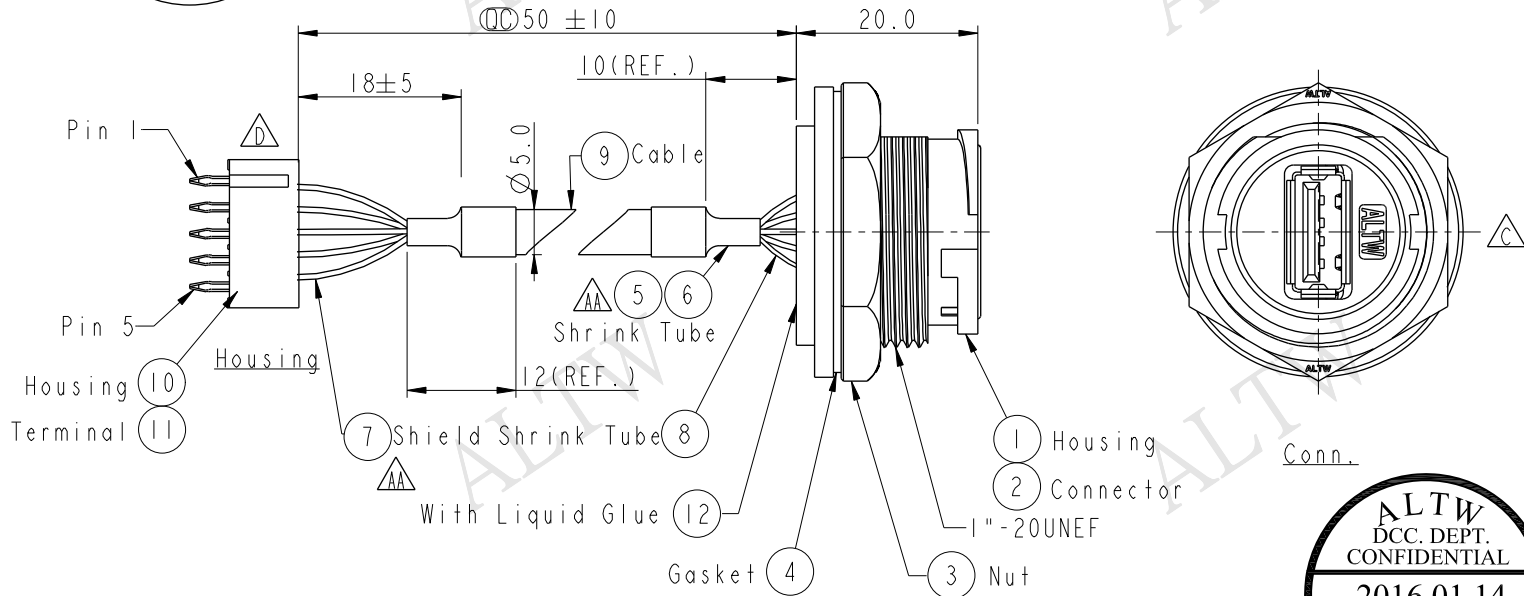
PCB Layout



Recommended Panel Cut-Out



Conn.  
Pin Assignments  
Front View



Pin	Wire Color	Wire Size	Conn.
5	Drain	Shield	
4	Black	24AWG	4
3	Green	28AWG	3
2	White	28AWG	2
1	Red	24AWG	1
Housing	Wire Color	Conn.	

Twist

Note:

- \* Ⓞ Important Dimension.
- \* Housing: Nylon+GF, Black
- \* Nut: Nylon+GF, Black
- \* Gasket: EPDM, Black
- \* PCB: FR-4, t=1.0mm
- \* Liquid Glue: Black
- \* Use with waterproof cap or dust cap For Panel Thickness Max: 2.8mm
- \* Use without waterproof cap or dust cap For Panel Thickness Max: 4.0mm

UNIT:mm		TITLE		ITEM NO		DRAWN BY		DATE	
		USB, Panel Lock A Type M Conn. F Pin		UA-20PMFP-LC7002		Ruru		2016-01-12	
TOLERANCE		SCALE	SIZE	SHEET	OF	CHECKED BY		DATE	
.X ±0.25		6:5	A4	1	1	Rita		2016-01-12	
.XX ±0.1		REV.	WC-REV.	Inspection item		APPROVED BY		DATE	
.XXX ±0.05		D	A.7			Lisa		2016-01-12	
ANGLES ±1°				CUSTOMER		ALTW			

**Amphenol LTW**  
安費諾亮泰企業股份有限公司