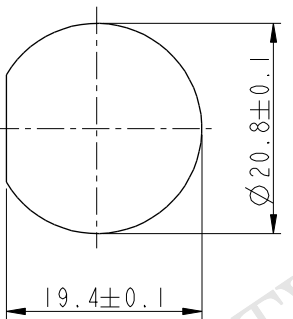
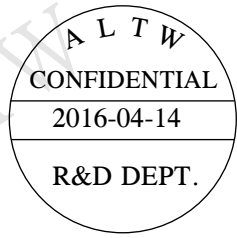
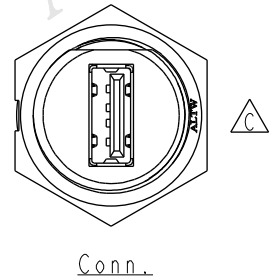
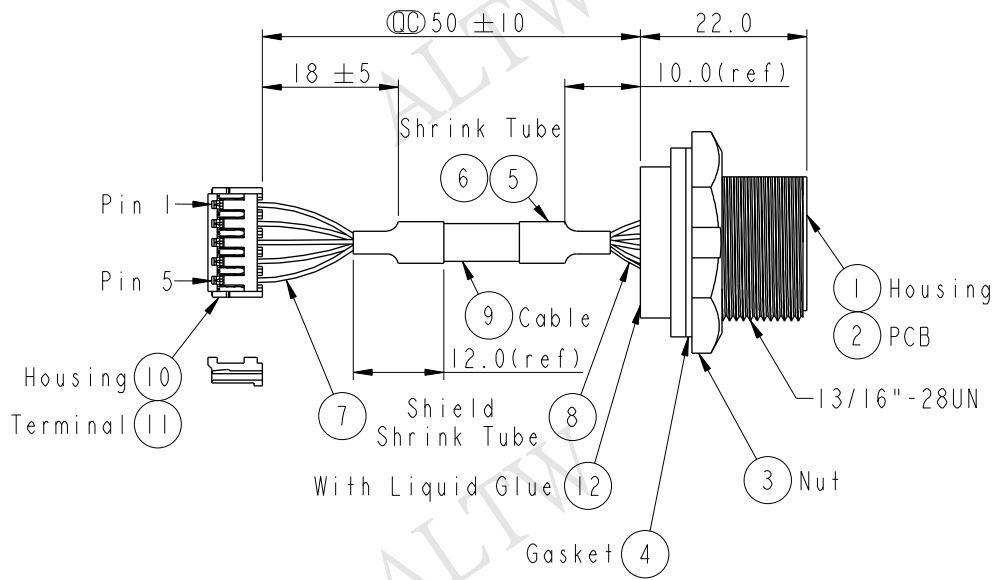
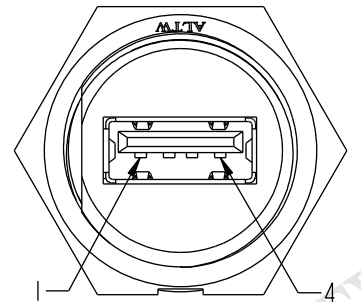


REV.	ECN NO.	DATE	SIGN	DESCRIPTION
B	LEN-7B0138	2007/11/15	Gao Ling	Modify Panel Thickness
C	LEN1640311	2016/04/14	Vicky	Update Logo



Recommended Panel Cut-Out



Pin Assignments Front View

5	Drain	地線	Shield
4	Black	24AWG 黑	4
3	Green	28AWG 綠	3
2	White	28AWG 白	2
1	Red	24AWG 紅	1
Housing	Wire Color		Conn.
Pin Out			



- Note:
- \*  $\text{CC}$  Important Dimension
  - \* Housing: ABS 94V-0, Black
  - \* Nut: Nylon+GF, Black
  - \* Gasket: EPDM, Black
  - \* PCB: FR-4, T=1.6mm
  - \* Hosing: Nylon, PH=2.50mm
  - \* Terminal: Female Pin, Tin Plated
  - \* Cable: 1P\*28#+2C\*24#+AL+MY+D+B, OD=5.0mm
  - \* Use with waterproof cap or dust cap For Panel Thickness Max: 2.8mm
  - \* Use without waterproof cap or dust cap For Panel Thickness Max: 4.0mm

UNIT:mm		
TOLERANCE		
.X	±0.25	
.XX	±0.1	
.XXX	±0.05	
ANGLES	±1°	

TITLE USB With Harness Panel Screw M Conn F Pin			
SCALE 1:1	SIZE A4	SHEET 1	OF 1
REV. C	WC-REV. A.3	$\text{CC}$ : Inspection item	

**Amphenol LTW**  
安費諾亮泰企業股份有限公司

ITEM NO UA-20PMFP-SC8003	DRAWN BY Vicky	DATE 2016-04-14
DWG NO UA-20PMFP-SC8003	CHECKED BY Rita	DATE 2016-04-14
CUSTOMER ALTW	APPROVED BY Lisa	DATE 2016-04-14

THIS DOCUMENT IS SUBJECT TO CHANGE WITHOUT NOTICE. IT IS CONFIDENTIAL AND A PROPERTY OF Amphenol LTW. DISCLOSURE TO THIRD PARTY HAS TO BE AUTHORIZED BY Amphenol LTW.