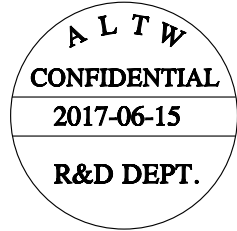
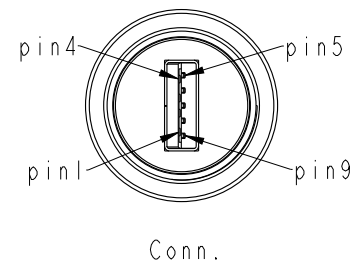
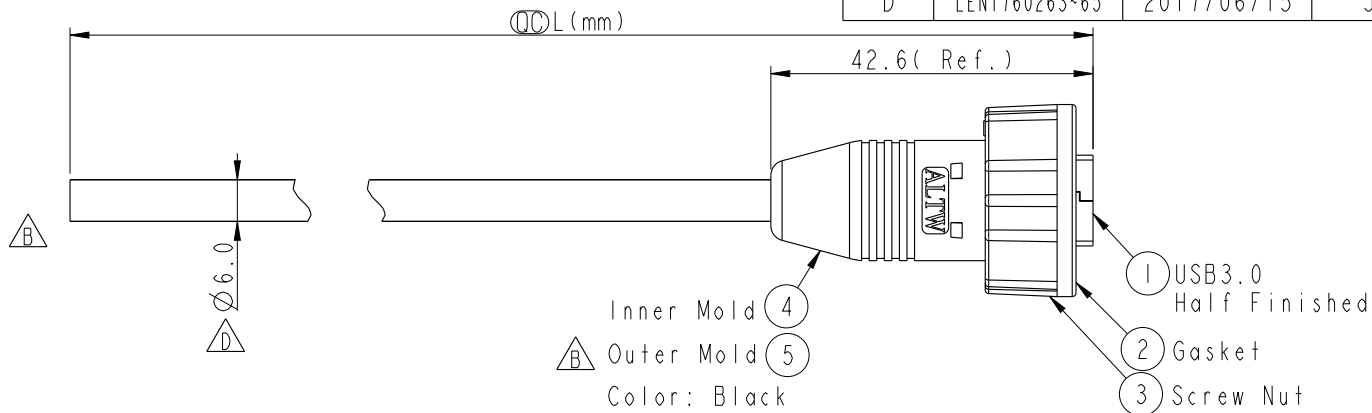


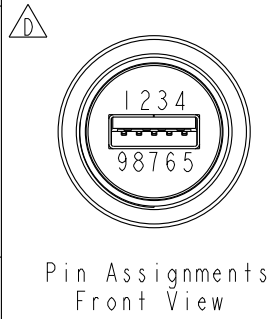
THIS DOCUMENT IS SUBJECT TO CHANGE WITHOUT NOTICE. IT IS CONFIDENTIAL AND A PROPERTY OF AMPHENOL LTW. DISCLOSURE TO THIRD PARTY HAS TO BE AUTHORIZED BY AMPHENOL LTW.

REV.	ECN NO.	DATE	SIGN	DESCRIPTION
B	LE31310053	2012/12/04	Kevin Wang	Modify the design and Note
C	LENI380166~168	2013/08/16	Tom_gu	Change To UA-30BFMM-SL7BXX
D	LENI760263~65	2017/06/15	Jinhai	Update Pin Out & Cable OD



△ UA-30BFMM-SL7BXX
 XX : 01~03Meters
 01 : 01Meter
 03 : 03Meters
 Cable Length(L):01~03Meters

Shield	Braid	編織	Shield	
9	Orange	28AWG 橙	SDP2+	Twist
8	Purple	28AWG 紫	SDP2-	
7	Drain	28AWG	SDP2_Drain	Twist
6	Yellow	28AWG 黃	SDP1+	
5	Blue	28AWG 藍	SDP1-	Twist
7	Drain	28AWG	SDP1_Drain	
4	Black	28AWG 黑	GND_PWRrt	Twist
3	Green	28AWG 綠	UTP_D+	
2	White	28AWG 白	UTP_D-	Twist
1	Red	28AWG 紅	PWR	
Conn.	Wire Color		Signal Name	
Pin Out				



Note:
 * ∅ Important Dimension.
 * Waterproof Rate: IP67
 * Connector: USB3.0-A Male Solder, Black
 * Gasket: EPDM, Black
 △ * Cable: UL2725(IPx28#+DAM)*2+1P*28#+2C*28#+ABD, PVC Jacket, UV Resistant, OD=6.0mm, Black
 △ * Cable Length Tolerance: 01M: ±40mm
 02M~03M: ±60mm
 * All of Drain twisted together.

UNIT:mm		TITLE USB 3.0, Cable Screw F Conn M Pin	
TOLERANCE ±0.5	SCALE 1:1	SIZE A4	SHEET 1 OF 1
	REV. D	WC-REV. B.4	∅∅: Inspection item

Amphenol LTW 安費諾亮泰企業股份有限公司		ITEM NO	DRAWN BY Jinhai	DATE 2017-06-15
		DWG NO UA-30BFMM-SL7BXX	CHECKED BY Feng-li	DATE 2017-06-15
		CUSTOMER ALTW	APPROVED BY Jerry	DATE 2017-06-15