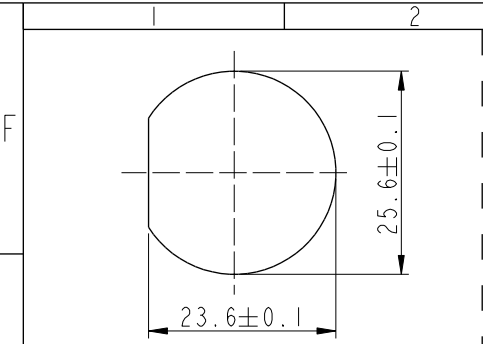
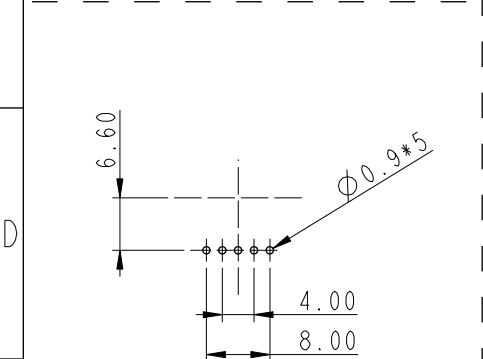


THIS DOCUMENT IS SUBJECT TO CHANGE WITHOUT NOTICE. IT IS CONFIDENTIAL AND A PROPERTY OF AMPHENOL LTW. DISCLOSURE TO THIRD PARTY HAS TO BE AUTHORIZED BY AMPHENOL LTW.

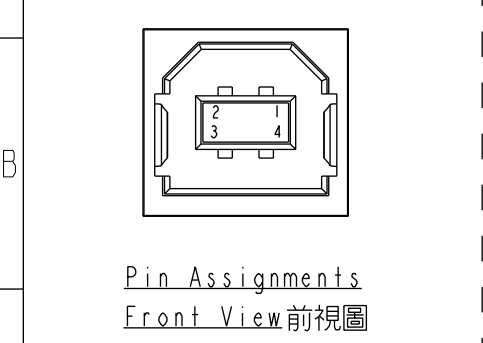
REV.	ECN NO.	DATE	SIGN	DESCRIPTION
D	LEN1550039	2014/12/24	Vicky	Update Logo
E	LEN1580252	2015/08/06	Vicky	Update Drawing View
F	C240125	2024/01/24	Vicky	△ F X2



Recommended Panel Cut-Out



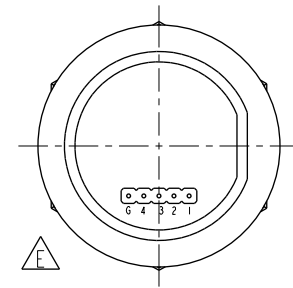
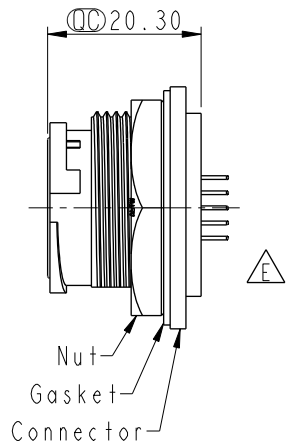
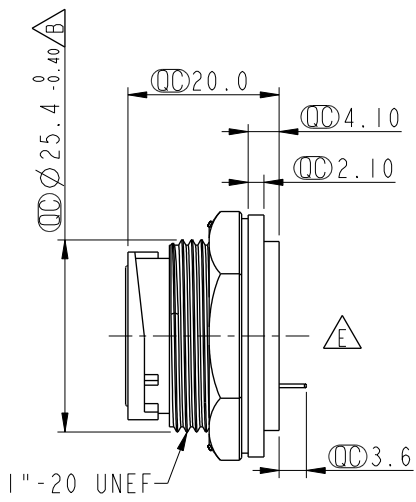
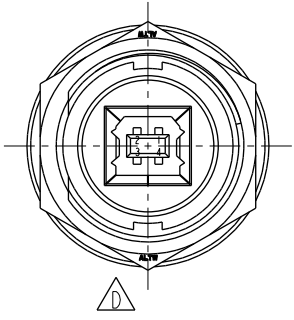
PCB Layout



Pin Assignments  
Front View 前視圖

UNIT:mm	
TOLERANCE	
.X	±0.25
.XX	±0.1
.XXX	±0.05
ANGLES	±1°

TITLE USB, B TYPE, 2.0, FRONT FASTENED M, F, PCB S, 2LOCK			
SCALE 1:1	SIZE A4	SHEET 1 OF 1	
REV. F	WC-REV. A.4	QC: Inspection item	



- Note:
- △ F \* (CC) Important dimension.
  - \* Waterproof rate: IP67, unmated
  - \* Connector
  - Housing: Thermoplastic, Black
  - USB: USB-B Female TIP
  - Wafer: 5Pin Wafer PH=2.0
  - \* Nut: Thermoplastic, Black
  - \* Gasket: Rubber, Black
  - △ C \* Use with waterproof cap or dust cap  
For Panel Thickness Max: 2.8mm
  - △ C \* Use without waterproof cap or dust cap  
For Panel Thickness Max: 4.0mm
  - \* Gasket and nut are packed separately  
in pe bag

**Amphenol LTW**  
安費諾亮泰企業股份有限公司

ITEM NO. UB-20PMFP-LC7001	DRAWN BY Vicky	DATE 2024-01-24
DWG NO. UB-20PMFP-LC7001	CHECKED BY Rita	DATE 2024-01-24
CUSTOMER ALTW	APPROVED BY Fred	DATE 2024-01-24