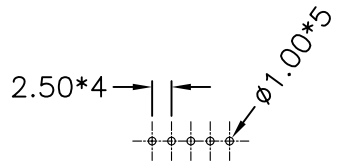
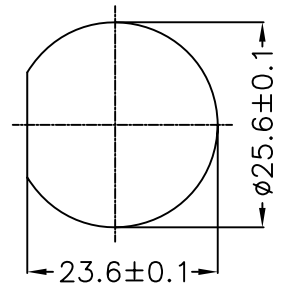


5	6	7	8
REV.	ECN NO.	DATE	SIGN

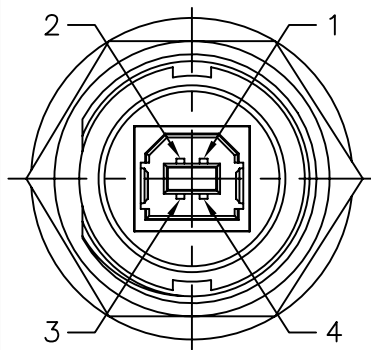
LTW  
DCC. DEPT.  
CONFIDENTIAL  
2008.03.25  
ISSUED



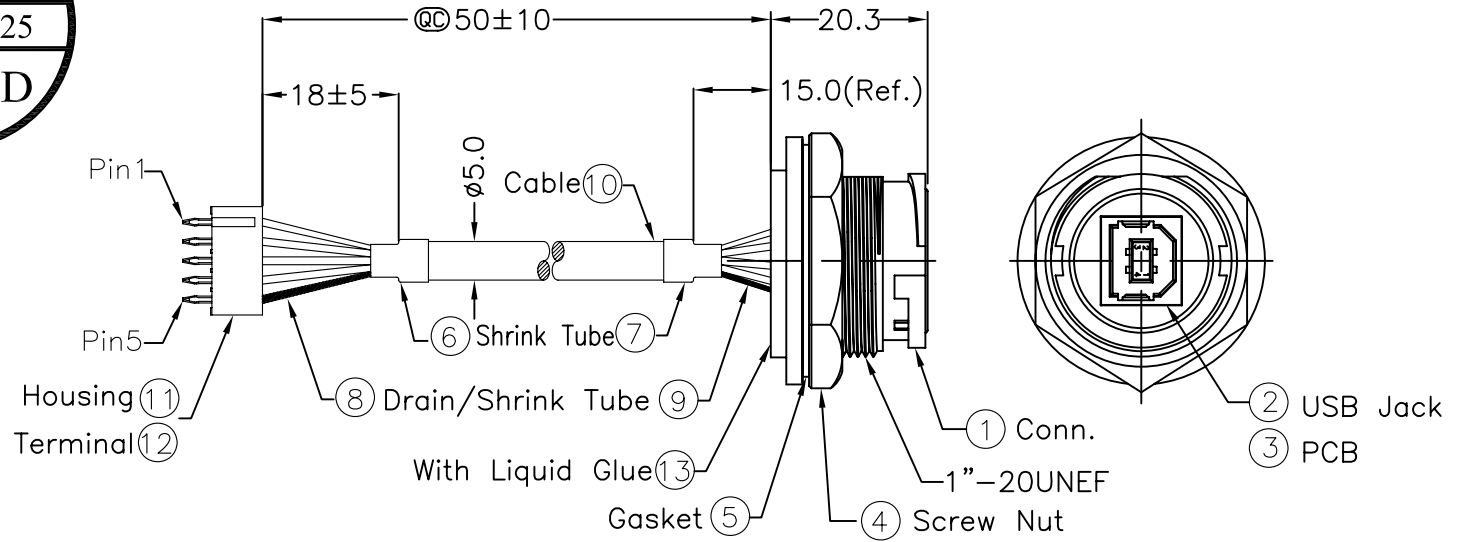
PCB Layout



Recommended Panel Cut-Out



Pin Assignments Front View



LTW  
CONFIDENTIAL  
2008.03.24  
R&D DEPT.

5	Drain 地線	Shield	
4	Black 黑 24AWG	4	Twist
3	Green 綠 28AWG	3	
2	White 白 28AWG	2	
1	Red 紅 24AWG	1	
Housing	Wire Color	Conn.	
	Pin Out		

- Note:
- \* @C Important Dimension.
  - \* Waterproof Rate: IP67
  - \* Conn.: Nylon+GF,Black
  - \* USB Jack: USB B,Female Dip
  - \* Nut: Nylon+GF,Black
  - \* Gasket: EPDM, Black
  - \* Hosing: Nylon,PH=2.50mm
  - \* Cable:1P\*28#+2C\*24#+AL+MY+D+B,OD=5.0mm
  - \* Use with waterproof cap or dust cap  
For Panel Thickness Max: 2.8mm
  - \* Use without waterproof cap or dust cap  
For Panel Thickness Max: 4.0mm

UNIT:mm	TITLE USB With Harness Panel Lock M Conn F Pin	LTW 亮泰企業股份有限公司		ITEM NO LTWUB-20PMFP-LC7002	DRAWN BY Chen	DATE 2008/03/24
TOLERANCE .X ±0.25 .XX ±0.1 .XXX ±0.05 ANGLES ±1°	SCALE Free	SHEET 1 OF 1		DWG NO LTWUB-20PMFP-LC7002	CHECKED BY Jill	DATE 2008/03/24
REV. A	SIZE A4	@C :Inspection Item		CUSTOMER	APPROVED BY Kevin	DATE 2008/03/24

THIS DOCUMENT IS SUBJECT TO CHANGE WITHOUT NOTICE. IT IS CONFIDENTIAL AND A PROPERTY OF LTW. DISCLOSURE TO THIRD PARTY HAS TO BE AUTHORIZED BY LTW.