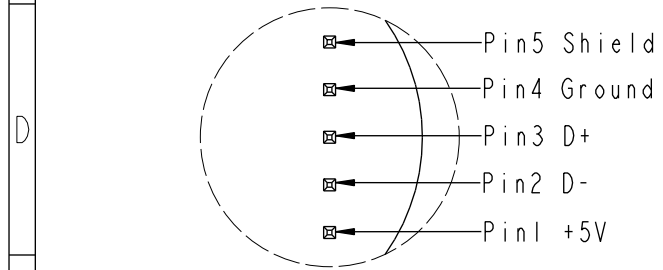
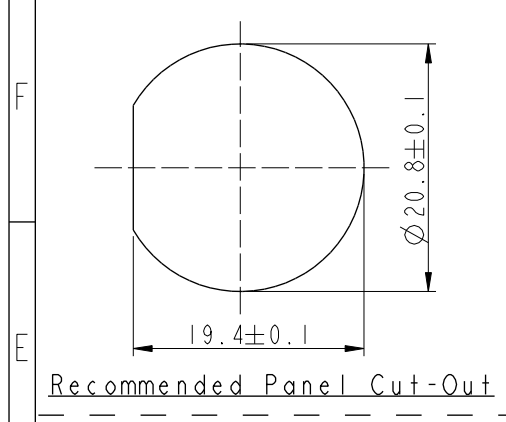
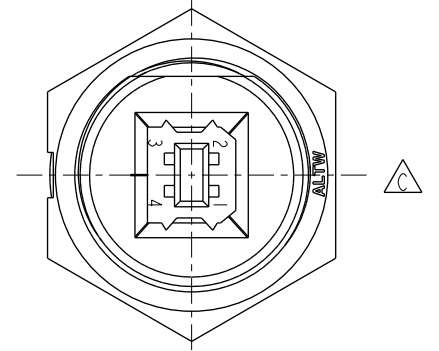
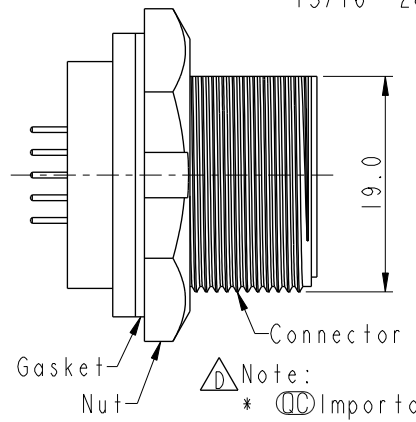
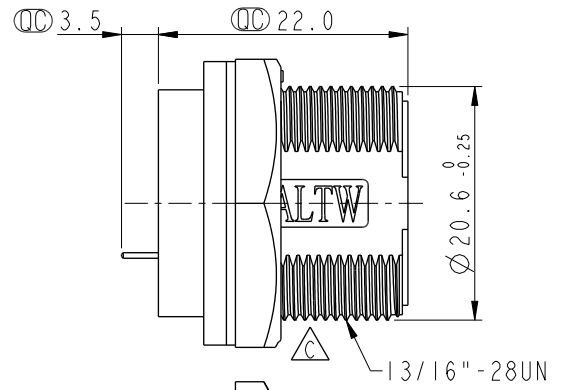
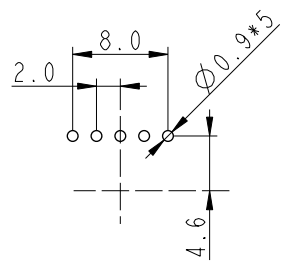
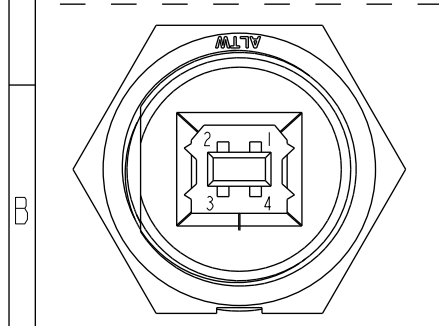
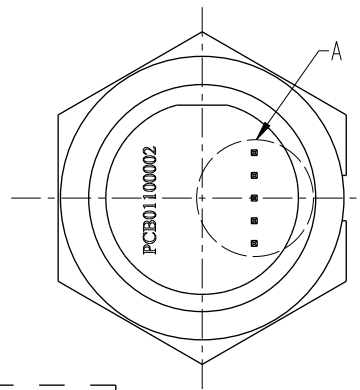


THIS DOCUMENT IS SUBJECT TO CHANGE WITHOUT NOTICE. IT IS CONFIDENTIAL AND A PROPERTY OF Amphenol LTW. DISCLOSURE TO THIRD PARTY HAS TO BE AUTHORIZED BY Amphenol LTW.

REV.	ECN NO.	DATE	SIGN	DESCRIPTION
B	LEN-7B0141	2007/11/15	Gao Ling	Modify Panel Thickness
C	LEN1640314	2016/04/18	Vicky	Update Logo
D	C240125	2024/01/24	Vicky	$\triangle D$ X2



DETAIL A
SCALE 2:1



- $\triangle D$ Note:
- * ⌀ Important dimension
 - * Waterproof Rate: IP68, unmated 1m/24h
 - * Connector Housing: Thermoplastic, Black
 - USB B: Female PCB Type, Gold Plated
 - * Nut: Thermoplastic, Black
 - * Gasket: Rubber, Black
 - $\triangle B$ * Use with waterproof cap or dust cap
For Panel Thickness Max: 2.8mm
 - $\triangle B$ * Use without waterproof cap or dust cap
For Panel Thickness Max: 4.0mm
 - * Gasket and nut are packed separately in pe bag

UNIT:mm			TITLE USB, B TYPE, 2.0, FRONT FASTENED M, F, PCB S, SCREW $\triangle D$
TOLERANCE .X ±0.25 .XX ±0.1 .XXX ±0.05 ANGLES ±1°	SCALE 3:2	SIZE A4	SHEET 1 OF 1
REV. D	WC-REV. A.4	⌀ : Inspection item	

Amphenol LTW
安費諾亮泰企業股份有限公司

ITEM NO UB-20PMFP-SC8001	DRAWN BY Vicky	DATE 2024-01-24
DWG NO UB-20PMFP-SC8001	CHECKED BY Rita	DATE 2024-01-24
CUSTOMER ALTW	APPROVED BY Fred	DATE 2024-01-24