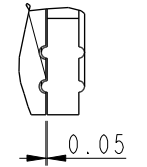
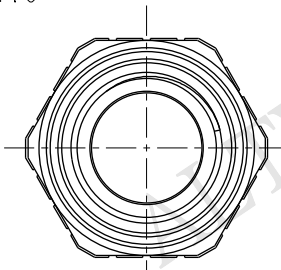
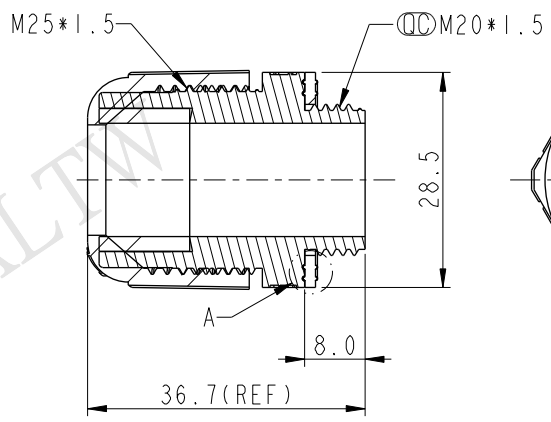
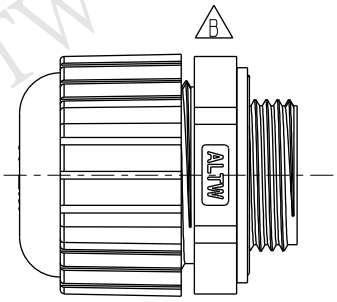
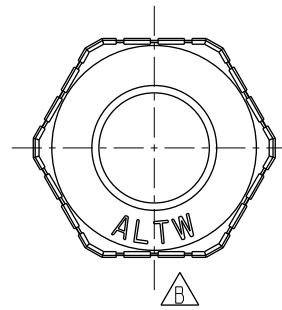
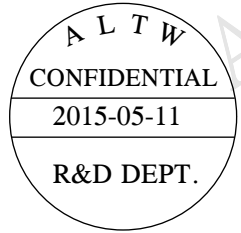
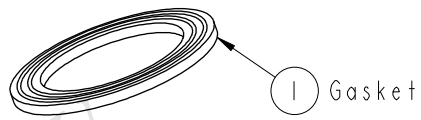
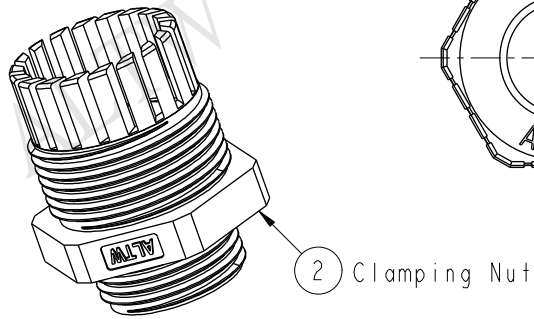
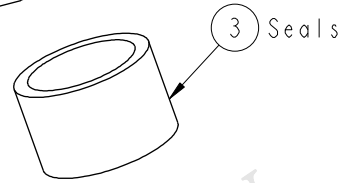
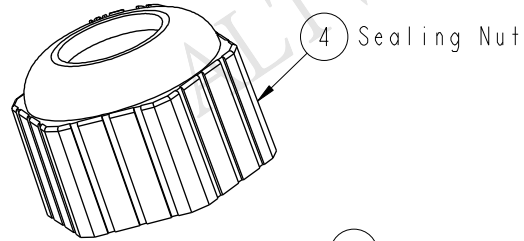


REV.	ECN NO.	DATE	SIGN	DESCRIPTION
A		2005/12/08	Chiu Chia Chi	Change Rev.01 to Rev.A
B	LEN1560108	2015/05/11	Ruru	Change Logo



Detail "A"
Scale 3:1



- Note:
- * CC Important Dimension
 - * Waterproof Rate: IP68
 - * Gasket: EPDM, Black
 - * Clamp Ring: Nylon66, Gray
 - * Seals: EPDM, Black
 - * Sealing Nut: Nylon66, Gray
 - * Cable Range: $\varnothing 14.0 \sim \varnothing 10.0$

UNIT: mm		
TOLERANCE	.X ± 0.25	
	.XX ± 0.1	
	.XXX ± 0.05	
ANGLES	$\pm 1^\circ$	

TITLE M20 Cable Glands Assembly			
SCALE 4:5	SIZE A4	SHEET 1 OF 1	
REV. B	WC-REV. A.1	CC : Inspection item	

Amphenol LTW
安費諾亮泰企業股份有限公司

ITEM NO. CSG-20M004	DRAWN BY Ruru	DATE 2015-05-11
DWG NO. CSG-20M004	CHECKED BY Rita	DATE 2015-05-11
CUSTOMER ALTW	APPROVED BY Lion	DATE 2015-05-11

DATE 2015-05-11
DATE 2015-05-11
DATE 2015-05-11

THIS DOCUMENT IS SUBJECT TO CHANGE WITHOUT NOTICE. IT IS CONFIDENTIAL AND A PROPERTY OF AMPHENOL LTW. DISCLOSURE TO THIRD PARTY HAS TO BE AUTHORIZED BY AMPHENOL LTW.