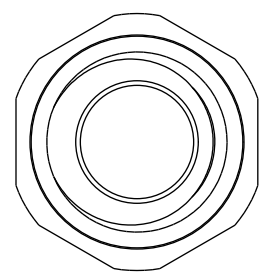
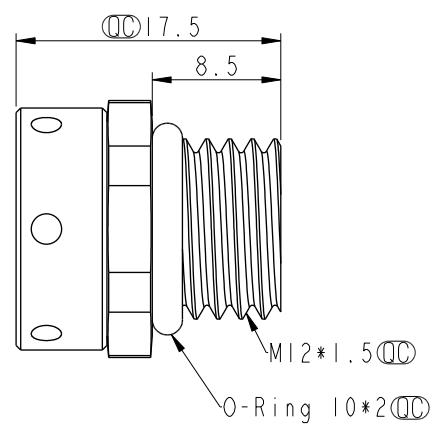
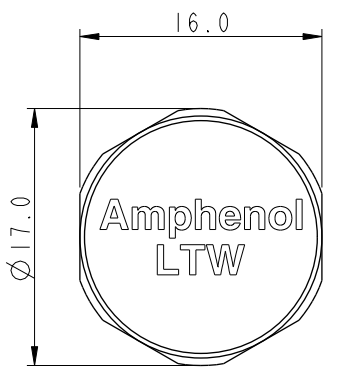
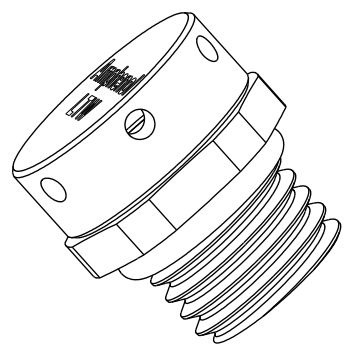


THIS DOCUMENT IS SUBJECT TO CHANGE WITHOUT NOTICE. IT IS CONFIDENTIAL AND A PROPERTY OF Amphenol LTW. DISCLOSURE TO THIRD PARTY HAS TO BE AUTHORIZED BY Amphenol LTW.

REV.	ECN NO.	DATE	SIGN	DESCRIPTION
B	C180282	2018/11/01	Xiaofeng	Update Drawing
C	C210614	2021/04/27	Xiaofeng	$\triangle C$ X3
D	C240590	2024/05/28	Vicky	$\triangle D$ X3

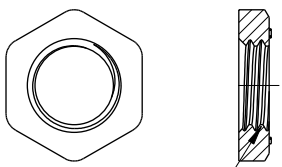


UNIT: mm TOLERANCE .X ±0.25 .XX ±0.1 .XXX ±0.05 ANGLES ±1°	TITLE VENT, M12, ME 1600ML/MIN, SR		SCALE 2:1	SIZE A4	SHEET 1 OF 2		
	REV. D					WC-REV. A.6	Inspection item
	Amphenol LTW 安費諾亮泰企業股份有限公司						

ITEM NO.	VENT-MSINMS-08001	DRAWN BY	Vicky	DATE	2024-05-28
DWG NO.	VENT-MSINMS-08001	CHECKED BY	Rita	DATE	2024-05-28
CUSTOMER	ALTW	APPROVED BY	Fred	DATE	2024-05-28

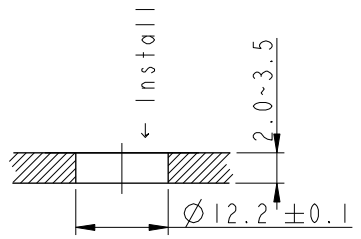
THIS DOCUMENT IS SUBJECT TO CHANGE WITHOUT NOTICE. IT IS CONFIDENTIAL AND A PROPERTY OF Amphenol LTW. DISCLOSURE TO THIRD PARTY HAS TO BE AUTHORIZED BY Amphenol LTW.

△ Screw Nut: Optional part
No.: APTM-AMBPA012-001
鐵件螺母作為選配件



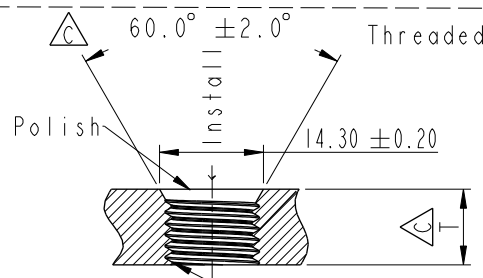
M12*1.5

Through-hole

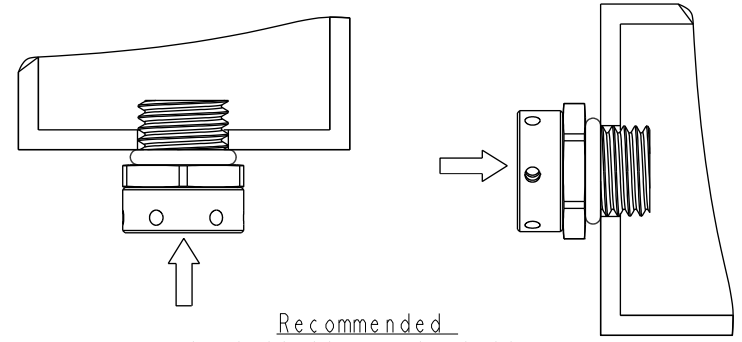


Recommended Panel Cut-Out
建議開孔尺寸

Threaded-hole



Recommended Panel Cut-Out
建議開孔尺寸



Recommended
installation orientation
建議安裝朝向

Note:

- * (C) Important Dimension.
- * Waterproof Rate: IP68 (Immersion for 60 minutes at a depth of 2 meter), IP69K
- * Housing: SUS316L
- * Cap: SUS316L
- * Membrane: ePTFE, Oleophobic
- * O-Ring: Silicone, 94V-0
- * Air Permeability: >1600ml/min at 7 kPa
- * Recommended Torque: 6.0~8.0 kgf.cm



UNIT: mm		
TOLERANCE	.X ±0.25	
.XX ±0.1		
.XXX ±0.05		
ANGLES	±1°	

TITLE VENT, M12, ME 1600ML/MIN, SR			
SCALE 2:1	SIZE A4	SHEET 2 OF 2	
REV. D	WC-REV. A.6	(C) Inspection item	

Amphenol LTW
安費諾亮泰企業股份有限公司

ITEM NO VENT-MSINMS-08001	DRAWN BY Vicky	DATE 2024-05-28
DWG NO VENT-MSINMS-08001	CHECKED BY Rita	DATE 2024-05-28
CUSTOMER ALTW	APPROVED BY Fred	DATE 2024-05-28