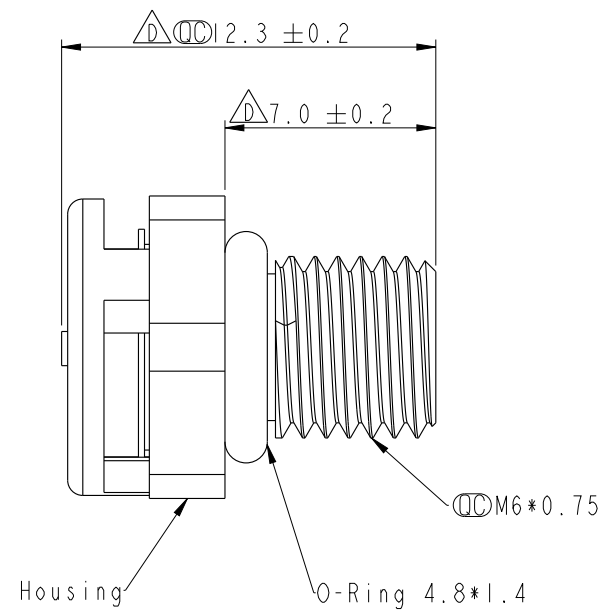
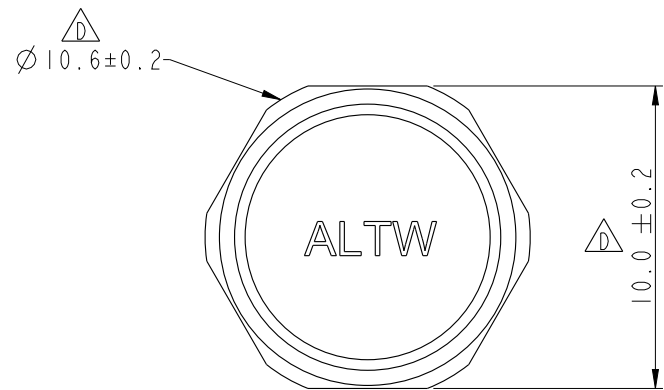


THIS DOCUMENT IS SUBJECT TO CHANGE WITHOUT NOTICE. IT IS CONFIDENTIAL AND A PROPERTY OF Amphenol LTW. DISCLOSURE TO THIRD PARTY HAS TO BE AUTHORIZED BY Amphenol LTW.

REV.	ECN NO.	DATE	SIGN	DESCRIPTION
B	C190626	2019/04/24	Xiaofeng	Update Drawing
C	C240590	2024/05/28	Vicky	$\triangle C$ X3
D	C240951	2024/08/31	Henry	$\triangle D$ X6



Without Nut

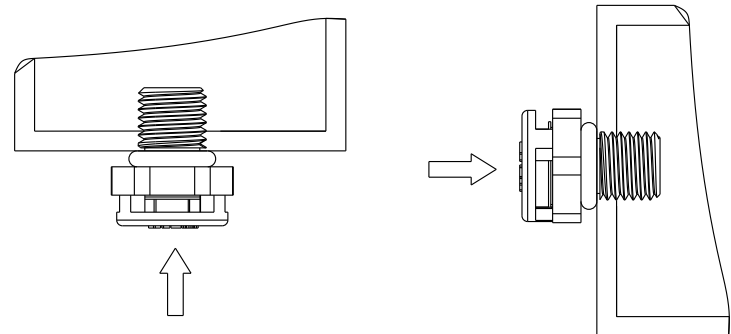
成品料號 (Product no.)	透氣量 ml/min at 7 kPa $\triangle C$	主體顏色 (Body Colour)	O-Ring Color	疏油性 (Oleophobic)	Waterproof Rate
VENT-PS2NBK-08001	>300	Black	Red	Y	IP68/IP66
VENT-PS2NGY-08001	>300	Gray	Red	Y	IP68/IP66

UNIT: mm			TITLE VENT, M6, PC $\triangle C$		
TOLERANCE .X ±0.25 .XX ±0.1 .XXX ±0.05 ANGLES ±1°		SCALE 4:1	SIZE A4	SHEET 1 OF 2	
REV. D	WC-REV. A.5	\odot : Inspection item			

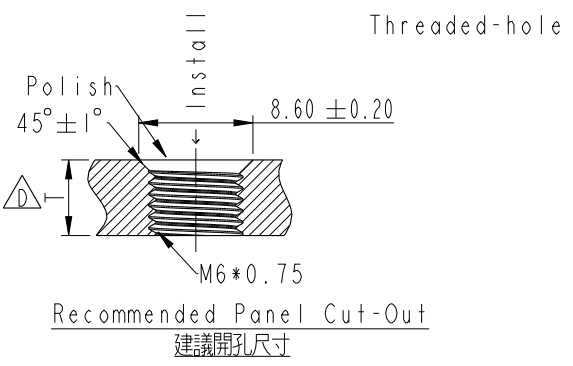
Amphenol LTW
安費諾亮泰企業股份有限公司

ITEM NO.	DRAWN BY Henry	DATE 2024-08-31
DWG NO. VENT-PS2XXX-XXXXX	CHECKED BY Jerry	DATE 2024-08-31
CUSTOMER ALTW	APPROVED BY Fred	DATE 2024-08-31

THIS DOCUMENT IS SUBJECT TO CHANGE WITHOUT NOTICE. IT IS CONFIDENTIAL AND A PROPERTY OF Amphenol LTW. DISCLOSURE TO THIRD PARTY HAS TO BE AUTHORIZED BY Amphenol LTW.



Recommended
installation orientation
建議安裝朝向



- Note:
- * \varnothing Important Dimension.
 - * Membrane: ePTFE
 - * Body: Thermoplastic, UL94V-0, UV Resistance
 - * O-Ring: Silicone, UL94V-0
 - * Recommended Torque: 2.0~4.0 kgf.cm
 - * T: minimum thickness 4mm

UNIT: mm		
TOLERANCE		
.X	±0.25	
.XX	±0.1	
.XXX	±0.05	
ANGLES	±1°	

TITLE VENT, M6, PC			
SCALE 4:1	SIZE A4	SHEET 2 OF 2	
REV. D	WC-REV. A.5	\varnothing : Inspection item	

Amphenol LTW
安費諾亮泰企業股份有限公司

ITEM NO	DRAWN BY Henry	DATE 2024-08-31
DWG NO VENT-PS2XXX-XXXXX	CHECKED BY Jerry	DATE 2024-08-31
CUSTOMER ALTW	APPROVED BY Fred	DATE 2024-08-31