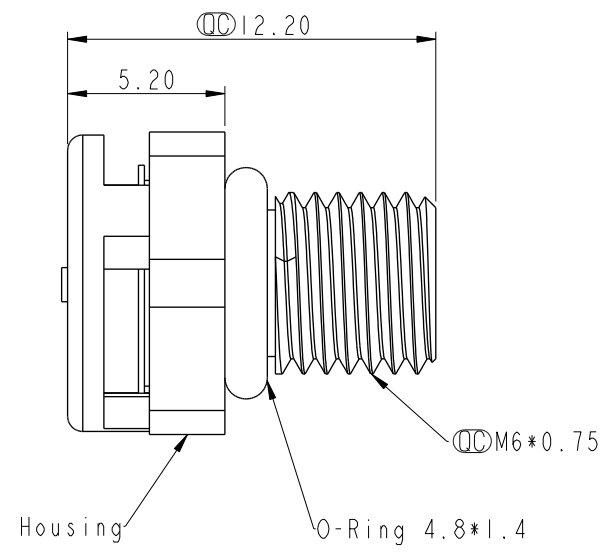
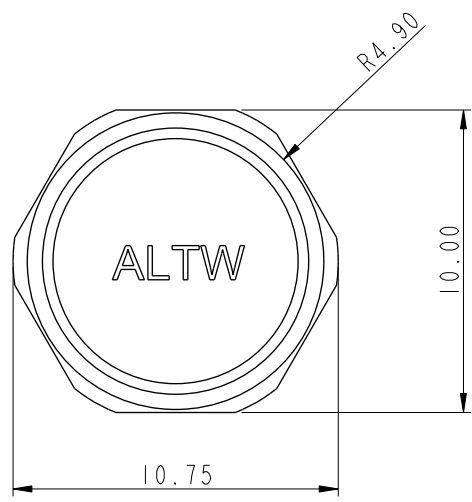


THIS DOCUMENT IS SUBJECT TO CHANGE WITHOUT NOTICE. IT IS CONFIDENTIAL AND A PROPERTY OF Amphenol LTW. DISCLOSURE TO THIRD PARTY HAS TO BE AUTHORIZED BY Amphenol LTW.

REV.	ECN NO.	DATE	SIGN	DESCRIPTION
B				Update Drawing
C	C240590	2024/05/28	Vicky	$\triangle C$ X3



Without Nut

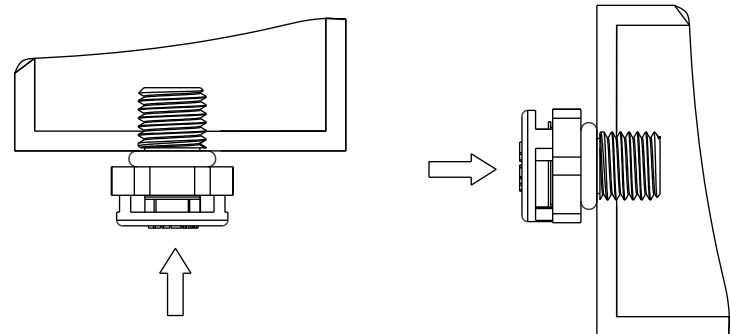
成品料號 (Product no.)	透氣量 ml/min at 7 kPa $\triangle C$	主體顏色 (Body Colour)	O-Ring Color	疏油性 (Oleophobic)	Waterproof Rate
VENT-PS2NBK-08001	>300	Black	Red	Y	IP68/IP66
VENT-PS2NGY-08001	>300	Gray	Red	Y	IP68/IP66

UNIT: mm			TITLE VENT, M6, PC $\triangle C$		
TOLERANCE		SCALE	SIZE	SHEET	
.X	± 0.25	4:1	A4	1 OF 2	
.XX	± 0.1	REV.	WC-REV.	C	
.XXX	± 0.05	$\triangle C$: Inspection item			
ANGLES	$\pm 1^\circ$				

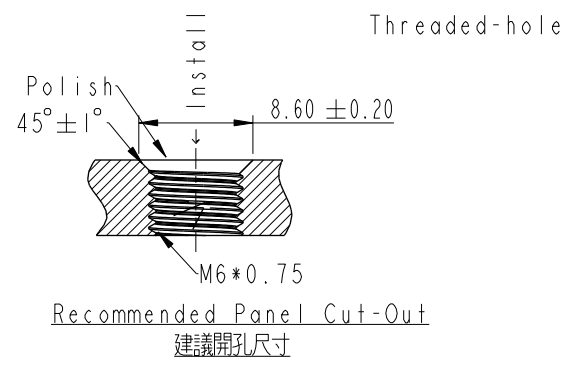
Amphenol LTW
安費諾亮泰企業股份有限公司

ITEM NO.	DRAWN BY	DATE
	Vicky	2024-05-28
DWG NO.	CHECKED BY	DATE
VENT-PS2XXX-XXXXX	Rita	2024-05-28
CUSTOMER	APPROVED BY	DATE
ALTW	Fred	2024-05-28

THIS DOCUMENT IS SUBJECT TO CHANGE WITHOUT NOTICE. IT IS CONFIDENTIAL AND A PROPERTY OF Amphenol LTW. DISCLOSURE TO THIRD PARTY HAS TO BE AUTHORIZED BY Amphenol LTW.



Recommended
installation orientation
建議安裝朝向



- Note:
- * \varnothing Important Dimension.
 - * Membrane: ePTFE
 - * Body: Thermoplastic, 94V-0, UV Resistance
 - * O-Ring: Silicone, 94V-0
 - * Recommended Torque: 2.0~4.0 kgf.cm

UNIT: mm		
TOLERANCE	.X	±0.25
	.XX	±0.1
	.XXX	±0.05
ANGLES		±1°

TITLE VENT, M6, PC			
SCALE	SIZE	SHEET	OF
4:1	A4	2	2
REV.	WC-REV.	\varnothing : Inspection item	
C	A.5		

Amphenol LTW
安費諾亮泰企業股份有限公司

ITEM NO	DWG NO
	VENT-PS2XXX-XXXXX
CUSTOMER	
ALTW	

DRAWN BY	CHECKED BY
Vicky	Rita
APPROVED BY	
Fred	

DATE	DATE	DATE
2024-05-28	2024-05-28	2024-05-28