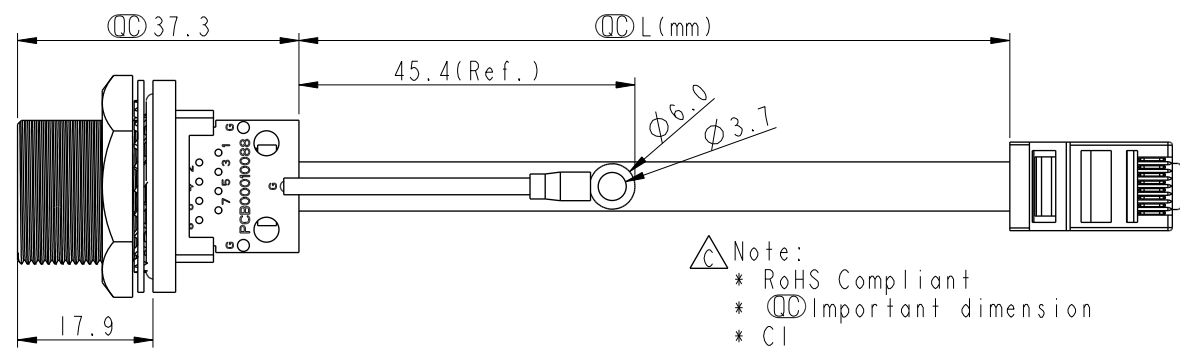
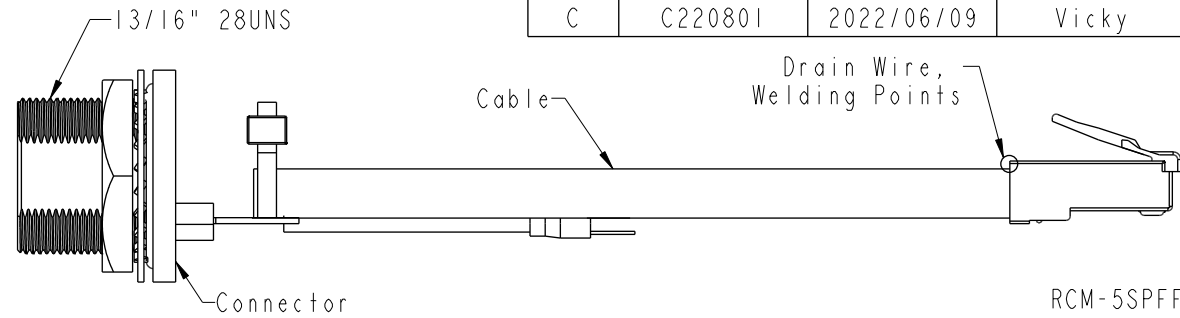
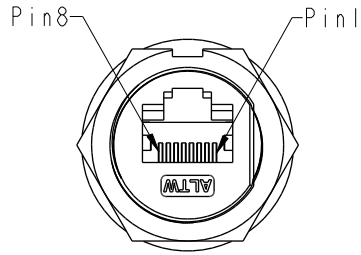


THIS DOCUMENT IS SUBJECT TO CHANGE WITHOUT NOTICE. IT IS CONFIDENTIAL AND A PROPERTY OF AMPHENOL LTW. DISCLOSURE TO THIRD PARTY HAS TO BE AUTHORIZED BY AMPHENOL LTW.

REV.	ECN NO.	DATE	SIGN	DESCRIPTION
A	Initial Release	2014/06/24	Tom	Change Rev. I To Rev.A
B	E191612	2019/09/12	Ruru	Drawing Code Unified Writing
C	C220801	2022/06/09	Vicky	$\triangle$ C X2

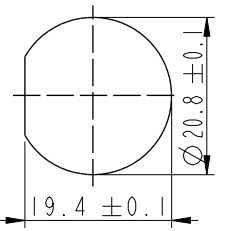
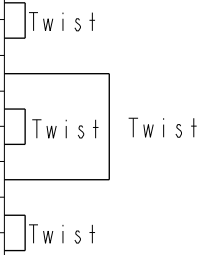


RCM-5SPFFG-SCU7BXX $\triangle$ B

- XX: 100~1000mm
- 10: 100mm
- 15: 150mm
- 20: 200mm
- 95: 950mm
- A0: 1000mm
- Cable Pitch Unit=50mm

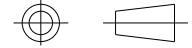
- $\triangle$  Note:
- \* RoHS Compliant
  - \*  $\odot$  Important dimension
  - \* C1  
Waterproof rate: IPX7, unmated  
Housing: Metal, RJ45 jack, Shielded  
Nut: Metal  
Spring Washer: Metal  
O-Ring: Rubber, Gray-Black
  - \* C2  
Waterproof rate: Non-Waterproof  
Plug: RJ45, Shielded
  - \* Use with waterproof cap or dust cap  
Panel thickness max: 3.0mm
  - \* Use without waterproof cap or dust cap  
Panel thickness max: 4.2mm
  - \* Nut is assembled on connectors
  - \* Wire: UL1015, 20AWG
  - \* Cable: Cat.5E, 24#\*4P+MY+D+AL, PVC Jacket, Black, OD6.5mm
  - \* Cable length tolerance: 100mm:  $\pm$ 10mm  
100mm < L  $\leq$  300mm:  $\pm$ 15mm  
300mm < L  $\leq$  1000mm:  $\pm$ 20mm

Ground	Wire(20AWG)	Green 綠	Terminal
Shield	Drain Wire	接地線	Shield
8	Brown	棕	8
7	White/Brown	白/棕	7
6	Green	綠	6
5	White/Blue	白/藍	5
4	Blue	藍	4
3	White/Green	白/綠	3
2	Orange	橘	2
1	White/Orange	白/橘	1
C1	Wire Color		C2
	Pin Out		



Recommended Panel Cut-Out

UNIT: mm



TITLE RJ, C METAL, C5E SHLD FRONT FASTENED, F, PNL W/G, SCREW			
SCALE 1:1	SIZE A4	SHEET 1 OF 1	
REV. C	WC-REV. A.3	$\odot$ : Inspection item	

**Amphenol LTW**  
安費諾亮泰企業股份有限公司

ITEM NO	DRAWN BY Ruru	DATE 2019-09-12
DWG NO RCM-5SPFFG-SCU7BXX	CHECKED BY Rita	DATE 2019-09-12
CUSTOMER ALTW	APPROVED BY Max	DATE 2019-09-12