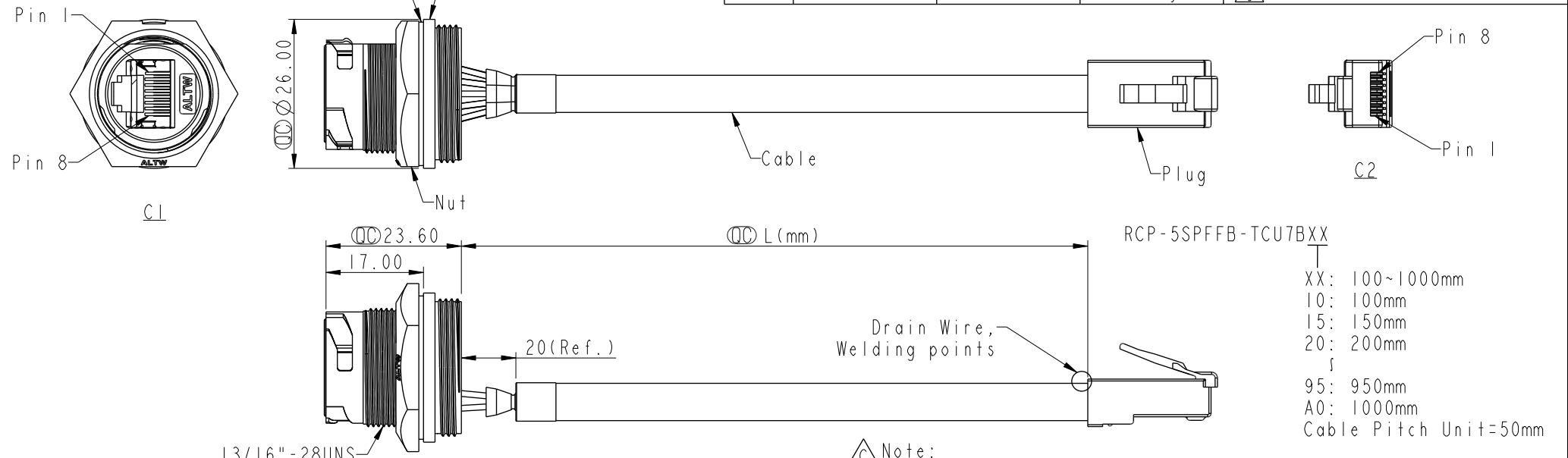


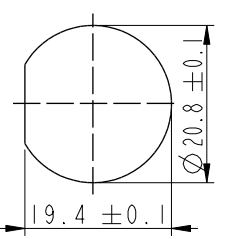
THIS DOCUMENT IS SUBJECT TO CHANGE WITHOUT NOTICE. IT IS CONFIDENTIAL AND A PROPERTY OF Amphenol LTW. DISCLOSURE TO THIRD PARTY HAS TO BE AUTHORIZED BY Amphenol LTW.

REV.	ECN NO.	DATE	SIGN	DESCRIPTION
A	Initial Release	2019/11/15	Peng	NEW ITEM
B	C201458	2020/09/28	Peng	$\triangle B$ X3
C	C220799	2022/05/23	Vicky	$\triangle C$ X1



- $\triangle C$ Note:
- * RoHS Compliant
 - * \odot Important dimension
 - * C1
Waterproof rate: IPX7, unmated
Housing: Thermoplastic, Black, RJ45 jack, Shielded
Nut: Thermoplastic, Black
Gasket: Rubber, Black
 - * C2
Waterproof rate: Non-Waterproof
Plug: RJ45, Shielded
 - * Use with waterproof cap or dust cap
Panel thickness max: 5.0mm
 - * Use without waterproof cap or dust cap
Panel thickness max: 6.2mm
 - * Gasket and nut are assembled on connectors
 - * Cable: Cat.5E, 24#*4P+MY+D+AL, PVC Jacket, Black, OD6.5mm
 - * Cable length tolerance: 100mm: ± 10 mm
100mm < L \leq 300mm: ± 15 mm
300mm < L \leq 1000mm: ± 20 mm

Shield	Drain Wire	接地線	Shield	
8	Brown	棕	8	Twist
7	White/Brown	白/棕	7	
6	Green	綠	6	Twist
5	White/Blue	白/藍	5	
4	Blue	藍	4	Twist
3	White/Green	白/綠	3	
2	Orange	橘	2	Twist
1	White/Orange	白/橘	1	
C1	Wire Color		C2	
		Pin Out		



Recommended Panel Cut-Out

UNIT: mm	\odot	∇	TITLE	$\triangle B$
TOLERANCE	± 0.5 mm		RJ, C PLASTIC, C5E SHLD FRONT FASTENED, F, PNL SHORT, 3LOCK	
SCALE	1:2	SIZE	A4	SHEET 1 OF 1
REV.	C	WC-REV.	.0	\odot : Inspection item

Amphenol LTW
安費諾亮泰企業股份有限公司

ITEM NO	RCP-5SPFFB-TCU7BXX	DRAWN BY	Peng	DATE	2019-11-15
DWG NO	RCP-5SPFFB-TCU7BXX	CHECKED BY	Feng-Li	DATE	2019-11-15
CUSTOMER	ALTW	APPROVED BY	Jerry	DATE	2019-11-15