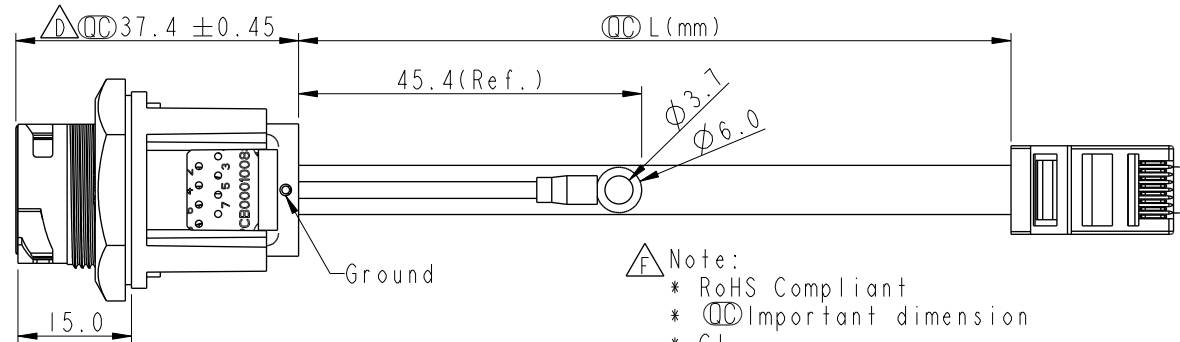
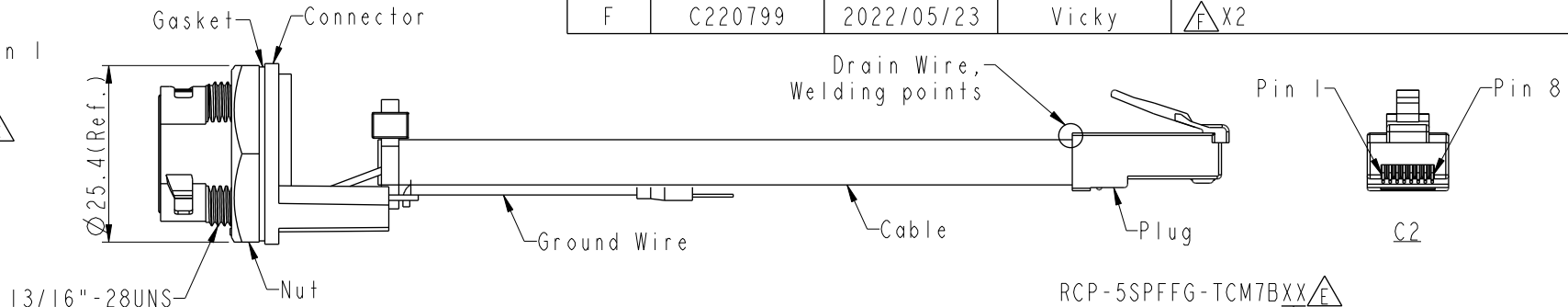
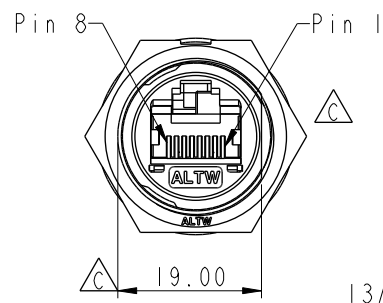


THIS DOCUMENT IS SUBJECT TO CHANGE WITHOUT NOTICE. IT IS CONFIDENTIAL AND A PROPERTY OF AMPHENOL LTW. DISCLOSURE TO THIRD PARTY HAS TO BE AUTHORIZED BY AMPHENOL LTW.

REV.	ECN NO.	DATE	SIGN	DESCRIPTION
D	LEN1810013	2017/11/28	Jalam	Modify The Tolerance
E	E191612	2019/09/16	Ruru	Drawing Code Unified Writing
F	C220799	2022/05/23	Vicky	△ F X2

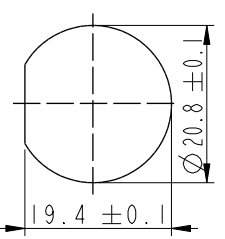
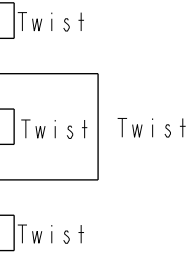


RCP-5SPFFG-TCM7BXX △ E

XX:	100~1000mm
10:	100mm
15:	150mm
20:	200mm
↓	
95:	950mm
A0:	1000mm
Cable Pitch Unit=50mm	

- △ Note:
- * RoHS Compliant
 - * Ⓞ Important dimension
 - * C1
Waterproof rate: IPX7, mated
Housing: Thermoplastic, Black, RJ45 jack, Shielded
Nut: Thermoplastic, Black
Gasket: Rubber, Gray
 - * C2
Waterproof rate: Non-Waterproof
Plug: RJ45, Shielded
 - * Use with waterproof cap or dust cap
Panel thickness max: 1.8mm
 - * Use without waterproof cap or dust cap
Panel thickness max: 3.0mm
 - * Gasket and nut are assembled on connectors
 - * Wire: UL1015, 20AWG
 - * Cable: Cat.5E, 24#*4P+MY+D+AL, PVC Jacket, Black, OD6.5mm
 - * Cable length tolerance: 100mm: ±10mm
100mm < L ≤ 300mm: ±15mm
300mm < L ≤ 1000mm: ±20mm

Ground	Wire(20AWG)	Green 綠	Terminal
Shield	Drain Wire	接地線	Shield
8	Brown	棕	8
7	White/Brown	白/棕	7
6	Green	綠	6
5	White/Blue	白/藍	5
4	Blue	藍	4
3	White/Green	白/綠	3
2	Orange	橘	2
1	White/Orange	白/橘	1
C1	Wire Color		C2
	Pin Out		



Recommended Panel Cut-Out

UNIT: mm			TITLE RJ, C PLASTIC, C5E SHLD FRONT FASTENED, F, PNL W/G, 3LOCK
TOLERANCE	.X ±0.25		SCALE 1:1
.XX ±0.1			SIZE A4
.XXX ±0.05			SHEET 1 OF 1
ANGLES ±1°			REV. F
			WC-REV. B.5
			Ⓞ: Inspection item

Amphenol LTW
安費諾亮泰企業股份有限公司

ITEM NO	RCP-5SPFFG-TCM7BXX	DRAWN BY	Ruru	DATE	2019-09-16
DWG NO	RCP-5SPFFG-TCM7BXX	CHECKED BY	Rita	DATE	2019-09-16
CUSTOMER	ALTW	APPROVED BY	Max	DATE	2019-09-16