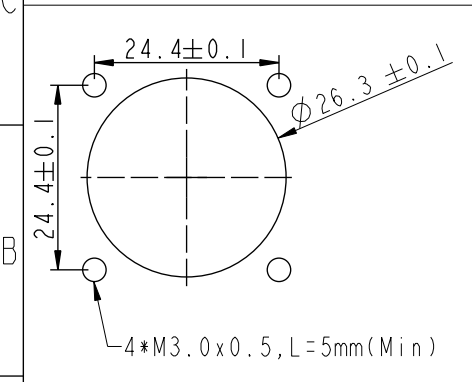
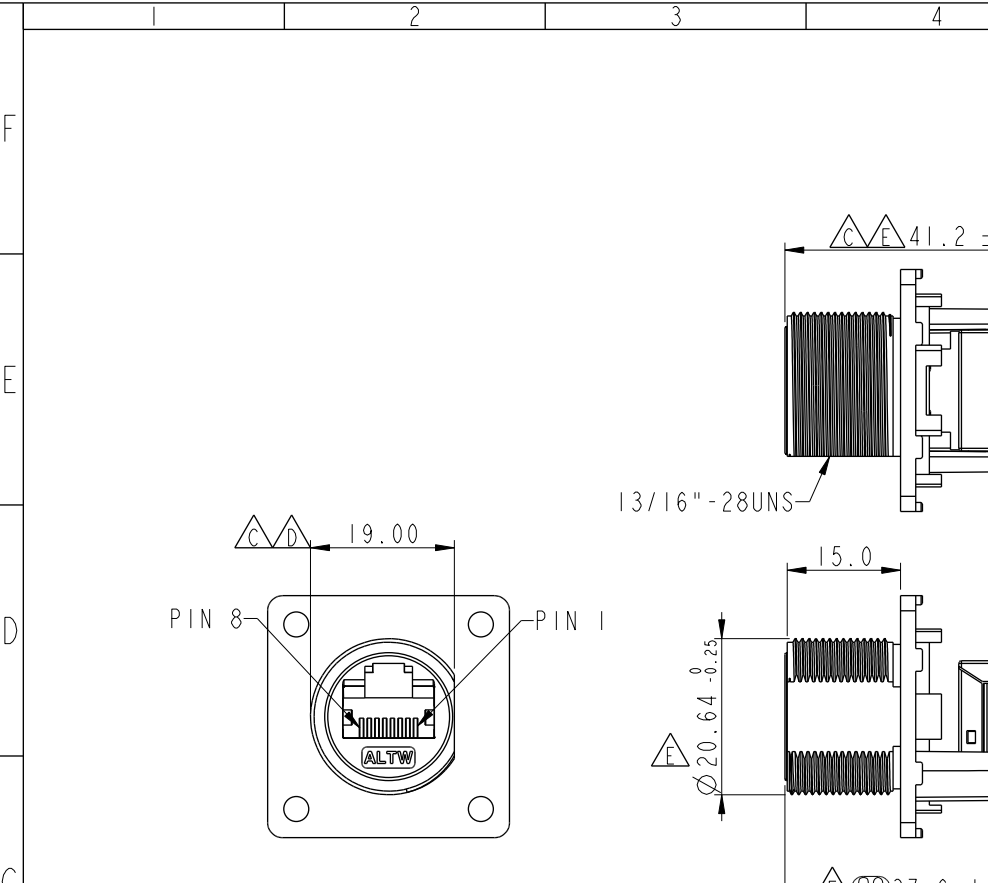
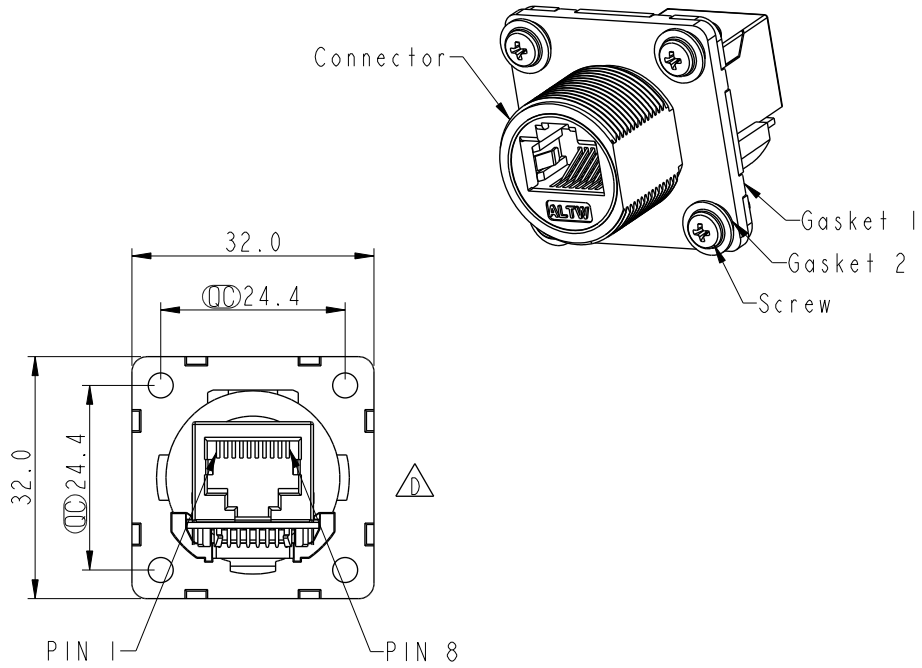


REV.	ECN NO.	DATE	SIGN	DESCRIPTION
E	LEN1810068	2017/11/28	Jalam	Change The Tolerance
F	C190405	2019/03/15	Ruru	Modify Note
G	C220799	2022/05/27	Vicky	△G X3

THIS DOCUMENT IS SUBJECT TO CHANGE WITHOUT NOTICE. IT IS CONFIDENTIAL AND A PROPERTY OF AMPHENOL LTW. DISCLOSURE TO THIRD PARTY HAS TO BE AUTHORIZED BY AMPHENOL LTW.



Recommended Panel Cut-Out △C △D



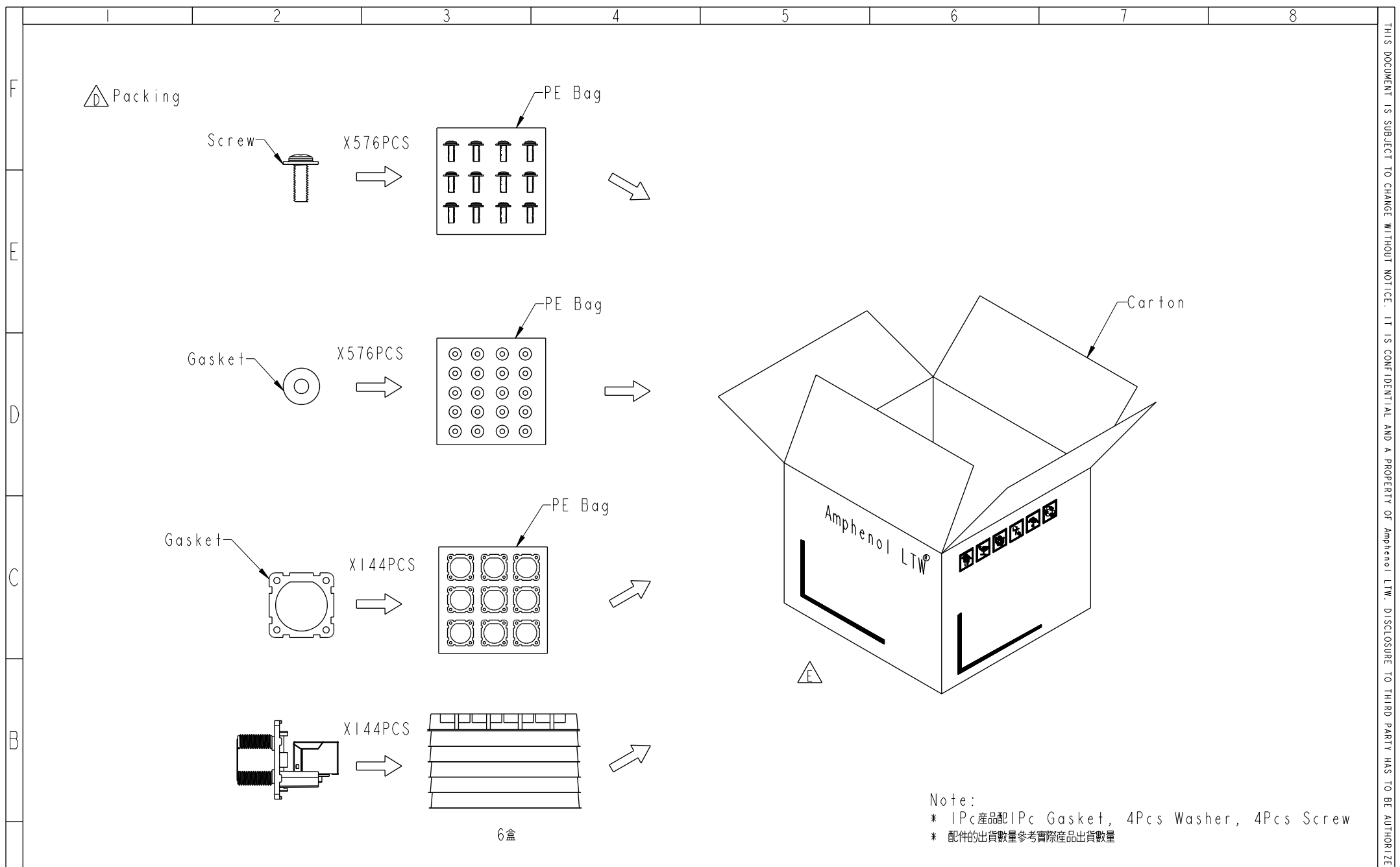
- Note:**
- * RoHS Compliant
 - * 24.4 Important dimension
 - * Waterproof rate: IPX7, unmated
 - * Connector
 - Housing: Thermoplastic, Black, RJ45 jack, shielded
 - * Gasket 1: Rubber, Gray
 - * Gasket 2: Rubber, Black
 - * Screw: Metal

UNIT: mm			TITLE RJ, C PLASTIC, C5E SHLD FRONT FASTENED, F, PNL JACK S, SCREW
TOLERANCE .X ±0.25 .XX ±0.1 .XXX ±0.05 ANGLES ±1°	SCALE 1:1	SIZE A4	SHEET 1 OF 2
REV. G	WC-REV. C.4	◎: Inspection item	

Amphenol LTW
安費諾亮泰企業股份有限公司

ITEM NO. RCP-5SPFFH-SSU7001	DRAWN BY Ruru	DATE 2019-03-15
DWG NO. RCP-5SPFFH-SSU7001	CHECKED BY Rita	DATE 2019-03-15
CUSTOMER ALTW	APPROVED BY Max	DATE 2019-03-15

THIS DOCUMENT IS SUBJECT TO CHANGE WITHOUT NOTICE. IT IS CONFIDENTIAL AND A PROPERTY OF Amphenol LTW. DISCLOSURE TO THIRD PARTY HAS TO BE AUTHORIZED BY Amphenol LTW.



Note:
 * 1Pc 產品配 1Pc Gasket, 4Pcs Washer, 4Pcs Screw
 * 配件的出貨數量參考實際產品出貨數量

A	UNIT: mm		TITLE RJ, C PLASTIC, C5E SHLD FRONT FASTENED, F, PNL JACK S, SCREW		Amphenol LTW 安費諾亮泰企業股份有限公司	ITEM NO RCP-5SPFFH-SSU7001	DRAWN BY Ruru	DATE 2019-03-15	
	TOLERANCE .X ±0.25 .XX ±0.1 .XXX ±0.05 ANGLES ±1°		SCALE 1:1	SIZE A4		SHEET 2 OF 2	DWG NO RCP-5SPFFH-SSU7001	CHECKED BY Rita	DATE 2019-03-15
			REV. G	WC-REV. C.4		QC: Inspection item	CUSTOMER ALTW	APPROVED BY Max	DATE 2019-03-15