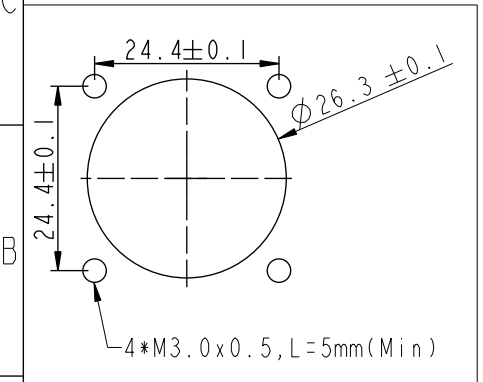
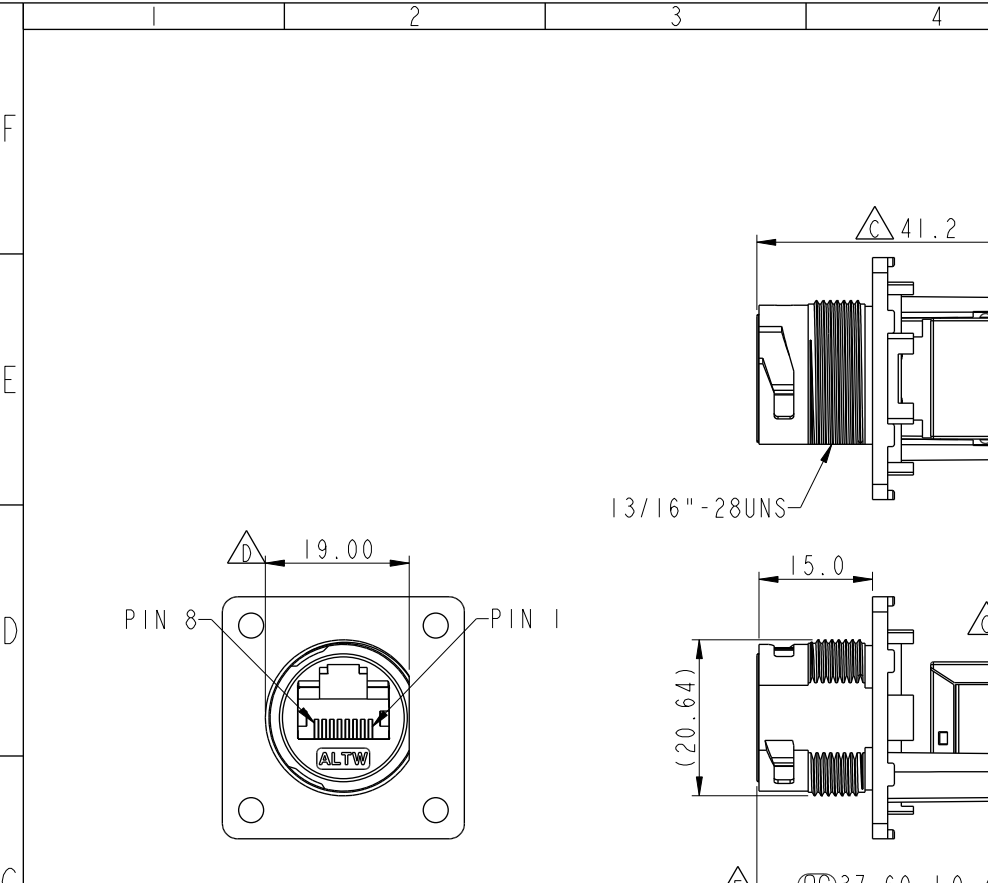
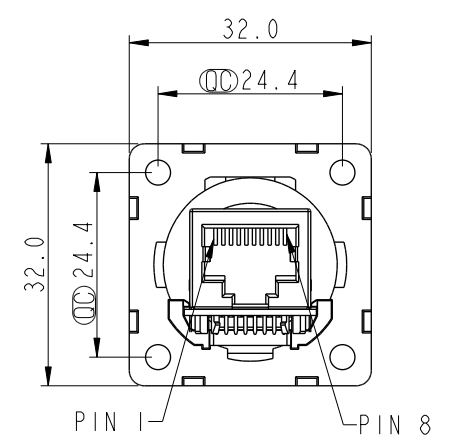
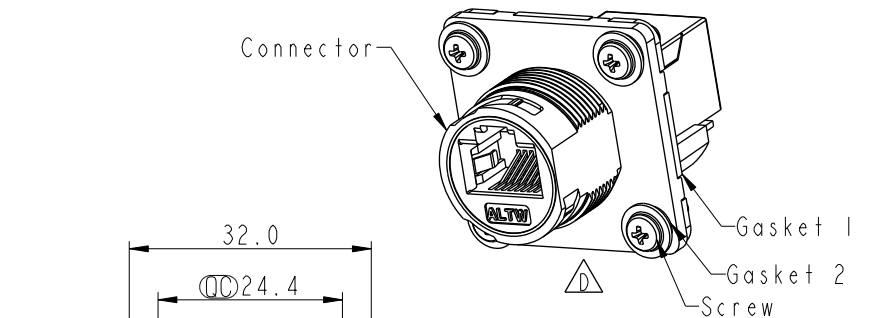


THIS DOCUMENT IS SUBJECT TO CHANGE WITHOUT NOTICE. IT IS CONFIDENTIAL AND A PROPERTY OF AMPHENOL LTW. DISCLOSURE TO THIRD PARTY HAS TO BE AUTHORIZED BY AMPHENOL LTW.

REV.	ECN NO.	DATE	SIGN	DESCRIPTION
E	C190405	2019/03/15	Ruru	Modify Note
F	C201309	2020/08/29	Fu	△E X1
G	C220799	2022/05/27	Vicky	△G X3



Recommended Panel Cut-Out △C △D

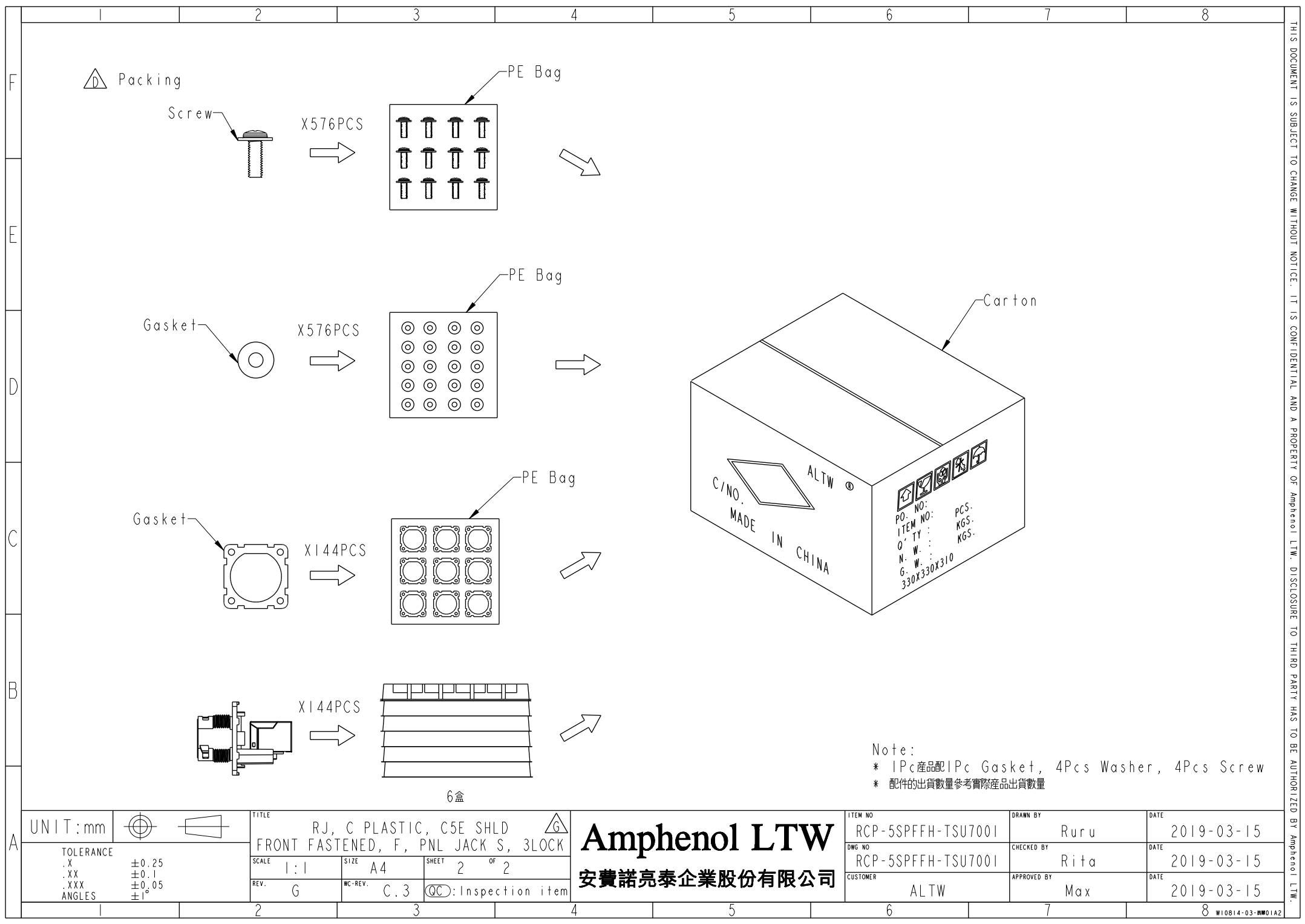


- △E △G Note:**
- * RoHS Compliant
 - * 24.4 Important dimension
 - * Waterproof rate: IPX7, unmated
 - * Connector
 - Housing: Thermoplastic, Black, RJ45 jack, shielded
 - * Gasket 1: Rubber, Gray
 - * Gasket 2: Rubber, Black
 - * Screw: Metal

UNIT: mm			TITLE	△G
TOLERANCE	.X ±0.25	.XX ±0.1	RJ, C PLASTIC, C5E SHLD	FRONT FASTENED, F, PNL JACK S, 3LOCK
.XXX ±0.05	ANGLES ±1°	SCALE 1:1	SIZE A4	SHEET 1 OF 2
		REV. G	WC-REV. C.3	24.4 : Inspection item

Amphenol LTW
安費諾亮泰企業股份有限公司

ITEM NO	RCP-5SPFFH-TSU7001	DRAWN BY	Ruru	DATE	2019-03-15
DWG NO	RCP-5SPFFH-TSU7001	CHECKED BY	Rita	DATE	2019-03-15
CUSTOMER	ALTW	APPROVED BY	Max	DATE	2019-03-15



Note:
 * 1Pc產品配1Pc Gasket, 4Pcs Washer, 4Pcs Screw
 * 配件的出貨數量參考實際產品出貨數量

UNIT: mm		TITLE RJ, C PLASTIC, C5E SHLD FRONT FASTENED, F, PNL JACK S, 3LOCK	
TOLERANCE .X ±0.25 .XX ±0.1 .XXX ±0.05 ANGLES ±1°	SCALE 1:1	SIZE A4	SHEET 2 OF 2
	REV. G	WC-REV. C.3	QC: Inspection item

Amphenol LTW
 安費諾亮泰企業股份有限公司

ITEM NO. RCP-5SPFFH-TSU7001	DRAWN BY Ruru	DATE 2019-03-15
DWG NO. RCP-5SPFFH-TSU7001	CHECKED BY Rita	DATE 2019-03-15
CUSTOMER ALTW	APPROVED BY Max	DATE 2019-03-15