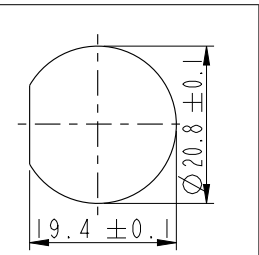
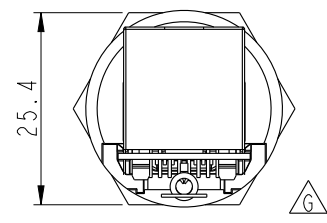
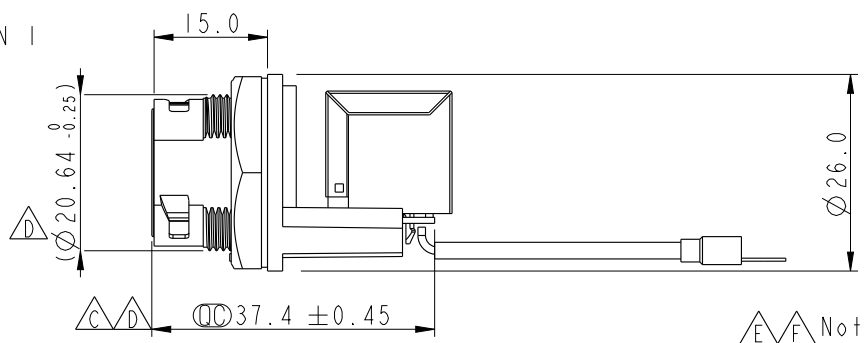
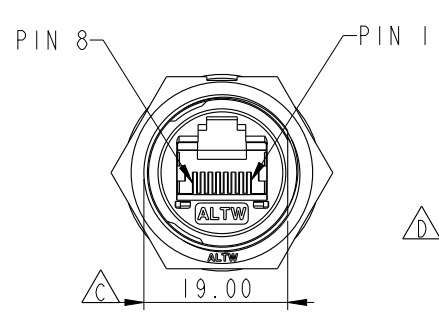
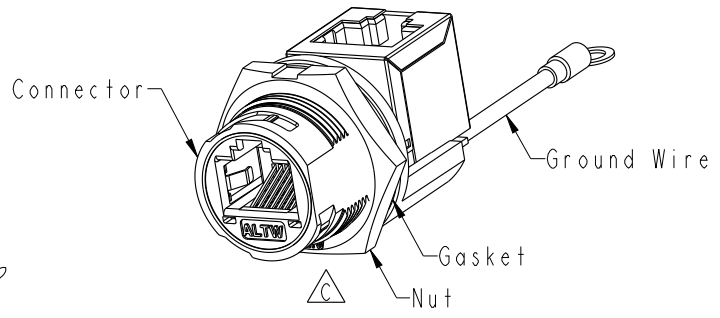
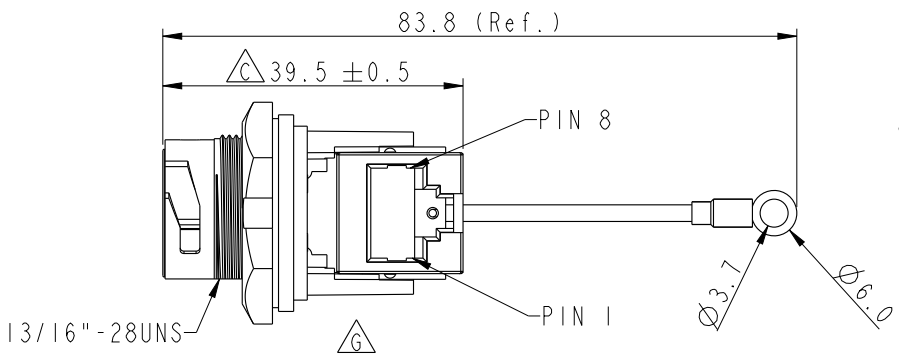


REV.	ECN NO.	DATE	SIGN	DESCRIPTION
E	C190405	2019/03/18	Ruru	Modify Note
F	C220799	2022/05/26	Vicky	$\triangle F$ X2
G	C231529	2023/10/30	Lavy	$\triangle G$ X3



Recommended Panel Cut-Out

- $\triangle E$ $\triangle F$ Note:
- * RoHS Compliant
 - * CC Important dimension
 - * $\triangle G$ Waterproof rate: IP67, mated
 - * Connector
 - Housing: Thermoplastic, Black, RJ45 jack, shielded
 - * Nut: Thermoplastic, Black
 - * Gasket: Rubber, Gray
 - * Use with waterproof cap or dust cap
 - Panel thickness max: 1.8mm
 - * Use without waterproof cap or dust cap
 - Panel thickness max: 3.0mm
 - * Gasket and nut are assembled on connectors
 - * Wire: UL1015, 20AWG, Green

UNIT: mm			TITLE
TOLERANCE	.X ±0.25	.XX ±0.1	RJ, C PLASTIC, C5E SHLD FRONT FASTENED, F, PNL JACK R, 3LOCK
.XXX ±0.05	ANGLES ±1°	SCALE 1:1	SIZE A4
		REV. G	WC-REV. B.5
			CC : Inspection item

Amphenol LTW
安費諾亮泰企業股份有限公司

ITEM NO	RCP-5SPFFV-TCM7002	DRAWN BY	Lavy	DATE	2023-12-08
DWG NO	RCP-5SPFFV-TCM7002	CHECKED BY	Jerry	DATE	2023-12-08
CUSTOMER	ALTW	APPROVED BY	Fred	DATE	2023-12-08

THIS DOCUMENT IS SUBJECT TO CHANGE WITHOUT NOTICE. IT IS CONFIDENTIAL AND A PROPERTY OF Amphenol LTW. DISCLOSURE TO THIRD PARTY HAS TO BE AUTHORIZED BY Amphenol LTW.