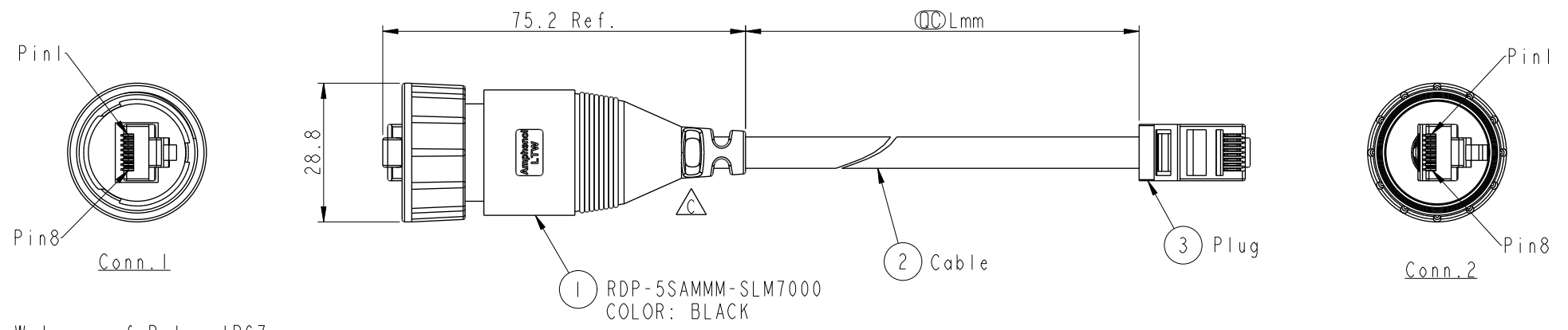


THIS DOCUMENT IS SUBJECT TO CHANGE WITHOUT NOTICE. IT IS CONFIDENTIAL AND A PROPERTY OF Amphenol LTW. DISCLOSURE TO THIRD PARTY HAS TO BE AUTHORIZED BY Amphenol LTW.

REV.	ECN NO.	DATE	SIGN	DESCRIPTION
B	C202016	2020-12-22	Nan_Su	\triangle_B X1
C	C241104	2024/09/26	Ruru	\triangle_C X5



RDP5SM-SPG06M-SL7B XX
 XX : 01~99Meters
 01 : 01Meter
 02 : 02Meters
 :
 :
 :
 99 : 99Meters
 Cable Length(L): 01~99Meters

- Note:
- * $\text{\textcircled{C}}$ Important Dimension To Check
 - * Waterproof Rate: IP67
 - * \triangle_C Housing: Thermoplastic, Black
 - * \triangle_B Nut: Thermoplastic, Black
 - * RJ Plug: Shield, Phosphor Bronze, Gold Plated
 - * Cable: CAT5E FTP 24#*4P+D+AL/MY, 6.5
 - * Cable Length Tolerance: 01M: ± 40 mm
 02M~05M: ± 60 mm
 11M~30M: ± 200 mm
 31M~99M: ± 500 mm

Shield	Drain Wire	Shield
8	Brown 棕	8
7	White/Brown 白/棕	7
6	Green 綠	6
5	White/Blue 白/藍	5
4	Blue 藍	4
3	White/Green 白/綠	3
2	Orange 橘	2
1	White/Orange 白/橘	1
Conn.1	Wire Color	Conn.2

Pin Out

UNIT:mm		TITLE	RJ, D PLASTIC, C5E SHLD, M SH PLUG, PLUG, M \triangle_C	ITEM NO	DRAWN BY	DATE
TOLERANCE	± 0.5 mm \triangle_C	SCALE	4:5	DWG NO	Ruru	2024-09-26
		SIZE	A4	RDP5SM-SPG06M-SL7BXX	CHECKED BY	DATE
		SHEET	1 OF 1	CUSTOMER	Rita	2024-09-26
		REV.	C	ALTW	APPROVED BY	DATE
		WC-REV.	.0		Fred	2024-09-26
		$\text{\textcircled{C}}$	Inspection item			

Amphenol LTW
 安費諾亮泰企業股份有限公司