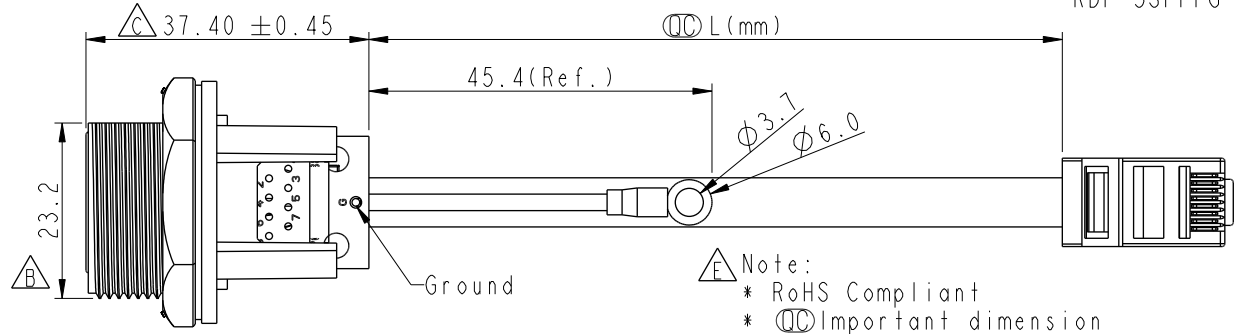
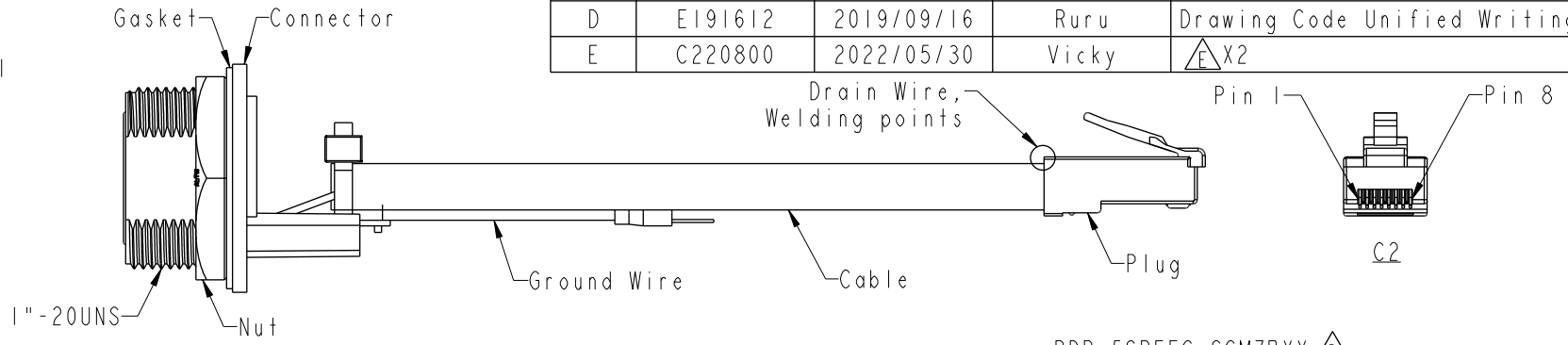
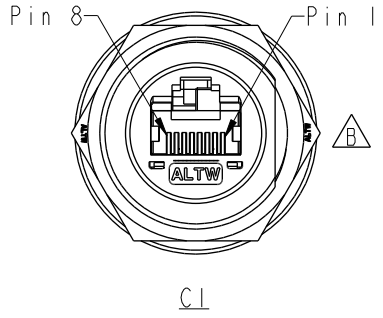


THIS DOCUMENT IS SUBJECT TO CHANGE WITHOUT NOTICE. IT IS CONFIDENTIAL AND A PROPERTY OF Amphenol LTW. DISCLOSURE TO THIRD PARTY HAS TO BE AUTHORIZED BY Amphenol LTW.

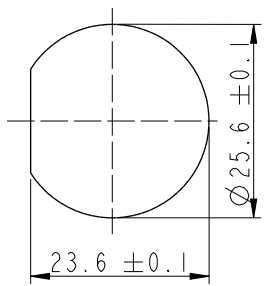
REV.	ECN NO.	DATE	SIGN	DESCRIPTION
C	LEN1810082	2017/11/29	Jalam	Modify The Tolerance
D	E191612	2019/09/16	Ruru	Drawing Code Unified Writing
E	C220800	2022/05/30	Vicky	$\triangle E$ X2



RDP-5SPFFG-SCM7BXX $\triangle D$

XX:	100~1000mm
10:	100mm
15:	150mm
20:	200mm
95:	950mm
A0:	1000mm
Cable Pitch Unit=50mm	

- $\triangle E$ Note:
- * RoHS Compliant
 - * ⌀ Important dimension
 - * C1
Waterproof rate: IPX7, mated
Housing: Thermoplastic, Black, RJ45 jack, Shielded
Nut: Thermoplastic, Black
Gasket: Rubber, Gray
 - * C2
Waterproof rate: Non-Waterproof
Plug: RJ45, Shielded
 - * Use with waterproof cap or dust cap
Panel thickness max: 2.4mm
 - * Use without waterproof cap or dust cap
Panel thickness max: 3.6mm
 - * Gasket and nut are assembled on connectors
 - * Wire: UL1015, 20AWG
 - * Cable: Cat.5E, 24#*4P+MY+D+AL, PVC Jacket, Black, OD6.5mm
 - * Cable length tolerance: 100mm: ± 10 mm
100mm < L \leq 300mm: ± 15 mm
300mm < L \leq 1000mm: ± 20 mm



Ground	Wire(20AWG)	Green 綠	Terminal
Shield	Drain Wire	接地線	Shield
8	Brown	棕	8
7	White/Brown	白/棕	7
6	Green	綠	6
5	White/Blue	白/藍	5
4	Blue	藍	4
3	White/Green	白/綠	3
2	Orange	橘	2
1	White/Orange	白/橘	1
C1	Wire Color		C2

Twist Twist Twist

Recommended Panel Cut-Out

TITLE RJ, D PLASTIC, C5E SHLD FRONT FASTENED, F, PNL W/G, SCREW $\triangle E$			
SCALE 1:1	SIZE A4	SHEET 1 OF 1	
REV. E	WC-REV. A.6	⌀ : Inspection item	

Amphenol LTW
安費諾亮泰企業股份有限公司

ITEM NO RDP-5SPFFG-SCM7BXX	DRAWN BY Ruru	DATE 2019-09-16
DWG NO RDP-5SPFFG-SCM7BXX	CHECKED BY Rita	DATE 2019-09-16
CUSTOMER ALTW	APPROVED BY Max	DATE 2019-09-16

UNIT: mm	⌀	⌀
TOLERANCE		
.X	± 0.25	
.XX	± 0.1	
.XXX	± 0.05	
ANGLES	$\pm 1^\circ$	