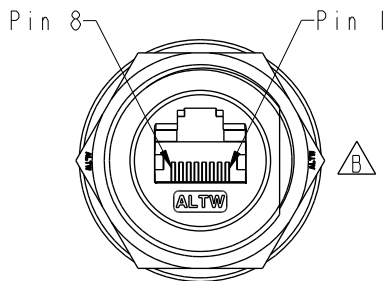
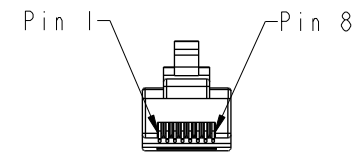
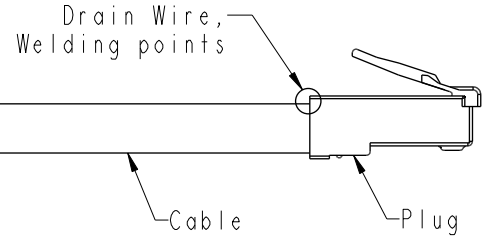
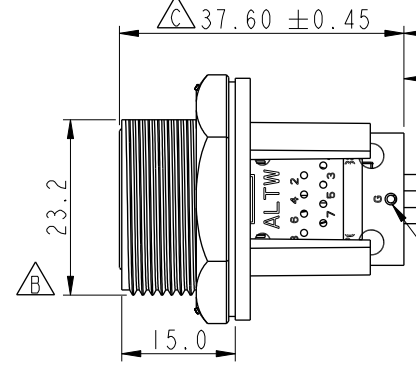
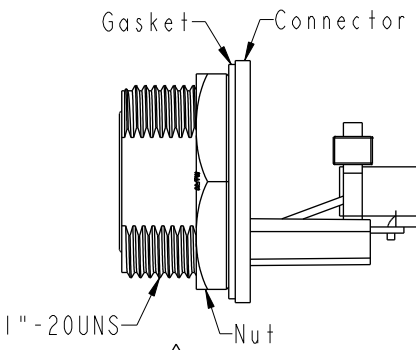


THIS DOCUMENT IS SUBJECT TO CHANGE WITHOUT NOTICE. IT IS CONFIDENTIAL AND A PROPERTY OF Amphenol LTW. DISCLOSURE TO THIRD PARTY HAS TO BE AUTHORIZED BY Amphenol LTW.

| REV. | ECN NO. | DATE | SIGN | DESCRIPTION |
|------|------------|------------|-------|------------------------------|
| C | LEN1810081 | 2017/11/29 | Jalam | Change The Tolerance |
| D | E191612 | 2019/09/20 | Ruru | Drawing Code Unified Writing |
| E | C220800 | 2022/05/30 | Vicky | \triangle E X2 |



C1

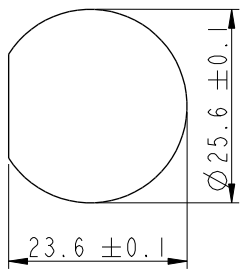


C2

RDP-5SPFFG-SCU7BXX \triangle D

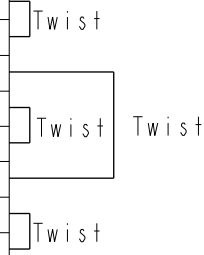
- XX: 100~1000mm
- 10: 100mm
- 15: 150mm
- 20: 200mm
- 95: 950mm
- A0: 1000mm
- Cable Pitch Unit=50mm

- \triangle E Note:
- * RoHS Compliant
 - * $\text{\textcircled{C}}$ Important dimension
 - * C1
Waterproof rate: IPX7, unmated
Housing: Thermoplastic, Black, RJ45 jack, Shielded
Nut: Thermoplastic, Black
Gasket: Rubber, Gray
 - * C2
Waterproof rate: Non-Waterproof
Plug: RJ45, Shielded
 - * Use with waterproof cap or dust cap
Panel thickness max: 2.4mm
 - * Use without waterproof cap or dust cap
Panel thickness max: 3.6mm
 - * Gasket and nut are assembled on connectors
 - * Wire: UL1015, 20AWG
 - * Cable: Cat.5E, 24#*4P+MY+D+AL, PVC Jacket, Black, OD6.5mm
 - * Cable length tolerance: 100mm: ± 10 mm
100mm < L \leq 300mm: ± 15 mm
300mm < L \leq 1000mm: ± 20 mm



Recommended Panel Cut-Out

| Ground | Wire(20AWG) | Green 綠 | Terminal |
|--------|--------------|---------|----------|
| Shield | Drain Wire | 接地線 | Shield |
| 8 | Brown | 棕 | 8 |
| 7 | White/Brown | 白/棕 | 7 |
| 6 | Green | 綠 | 6 |
| 5 | White/Blue | 白/藍 | 5 |
| 4 | Blue | 藍 | 4 |
| 3 | White/Green | 白/綠 | 3 |
| 2 | Orange | 橘 | 2 |
| 1 | White/Orange | 白/橘 | 1 |
| C1 | Wire Color | | C2 |



| | | | |
|---|----------------|--|--|
| TITLE RJ, D PLASTIC, C5E SHLD FRONT FASTENED, F, PNL W/G, SCREW | | | |
| SCALE 1:1 | SIZE A4 | SHEET 1 OF 1 | |
| REV. E | WC-REV. A.6 | $\text{\textcircled{C}}$: Inspection item | |

Amphenol LTW
安費諾亮泰企業股份有限公司

| | | |
|-------------------------------|--------------------|--------------------|
| ITEM NO RDP-5SPFFG-SCU7BXX | DRAWN BY Ruru | DATE 2019-09-20 |
| DWG NO RDP-5SPFFG-SCU7BXX | CHECKED BY Rita | DATE 2019-09-20 |
| CUSTOMER ALTW | APPROVED BY Max | DATE 2019-09-20 |

| | | |
|-----------|--------------------------|--------------------------|
| UNIT: mm | $\text{\textcircled{C}}$ | $\text{\textcircled{D}}$ |
| TOLERANCE | | |
| .X | ± 0.25 | |
| .XX | ± 0.1 | |
| .XXX | ± 0.05 | |
| ANGLES | $\pm 1^\circ$ | |