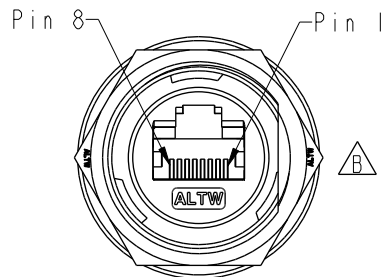
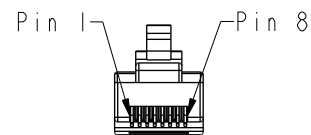
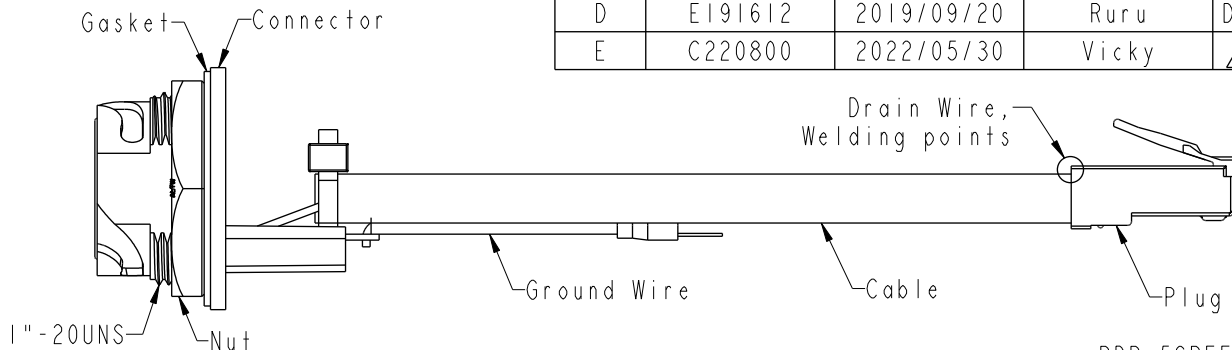


THIS DOCUMENT IS SUBJECT TO CHANGE WITHOUT NOTICE. IT IS CONFIDENTIAL AND A PROPERTY OF Amphenol LTW. DISCLOSURE TO THIRD PARTY HAS TO BE AUTHORIZED BY Amphenol LTW.

REV.	ECN NO.	DATE	SIGN	DESCRIPTION
C	LEN1810084~086	2017/11/29	Jalam	Change The Tolerance
D	E191612	2019/09/20	Ruru	Drawing Code Unified Writing
E	C220800	2022/05/30	Vicky	\triangle E X2

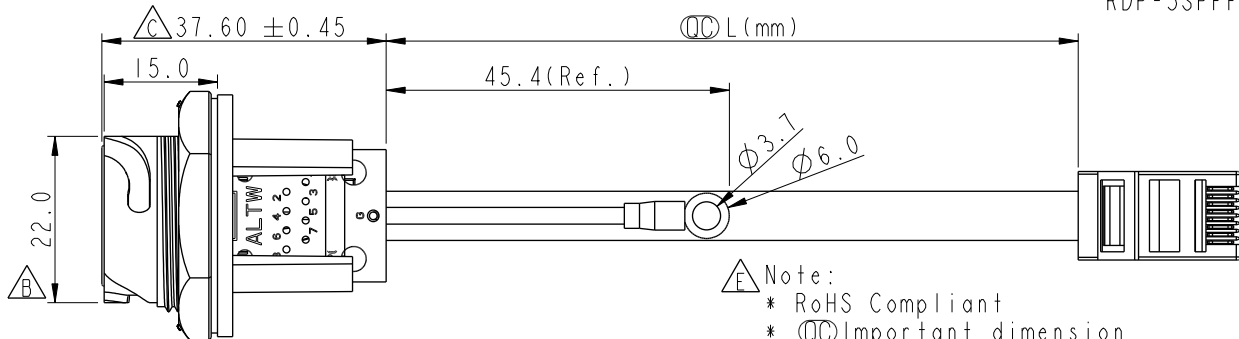


C1



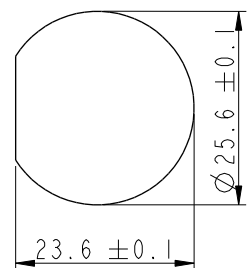
C2

RDP-5SPFFG-TCU7BXX \triangle D



- XX: 100~1000mm
- 10: 100mm
- 15: 150mm
- 20: 200mm
- 95: 950mm
- A0: 1000mm
- Cable Pitch Unit=50mm

- \triangle E Note:
- * RoHS Compliant
 - * \odot Important dimension
 - * C1
Waterproof rate: IPX7, unmated
Housing: Thermoplastic, Black, RJ45 jack, Shielded
Nut: Thermoplastic, Black
Gasket: Rubber, Gray
 - * C2
Waterproof rate: Non-Waterproof
Plug: RJ45, Shielded
 - * Use with waterproof cap or dust cap
Panel thickness max: 1.3mm
 - * Use without waterproof cap or dust cap
Panel thickness max: 2.5mm
 - * Gasket and nut are assembled on connectors
 - * Wire: UL1015, 20AWG
 - * Cable: Cat.5E, 24#*4P+MY+D+AL, PVC Jacket, Black, OD6.5mm
 - * Cable length tolerance: 100mm: ±10mm
100mm < L ≤ 300mm: ±15mm
300mm < L ≤ 1000mm: ±20mm



Recommended Panel Cut-Out

Ground Shield	Wire(20AWG)	Green 綠	Terminal Shield
8	Brown	棕	8
7	White/Brown	白/棕	7
6	Green	綠	6
5	White/Blue	白/藍	5
4	Blue	藍	4
3	White/Green	白/綠	3
2	Orange	橘	2
1	White/Orange	白/橘	1
C1	Wire Color		C2

Twist
Twist
Twist

TITLE RJ, D PLASTIC, C5E SHLD FRONT FASTENED, F, PNL W/G, 3LOCK			
SCALE 1:1	SIZE A4	SHEET 1 OF 1	
REV. E	WC-REV. A.7	\odot Inspection item	

Amphenol LTW
安費諾亮泰企業股份有限公司

ITEM NO RDP-5SPFFG-TCU7BXX	DRAWN BY Ruru	DATE 2019-09-20
DWG NO RDP-5SPFFG-TCU7BXX	CHECKED BY Rita	DATE 2019-09-20
CUSTOMER ALTW	APPROVED BY Max	DATE 2019-09-20

A

F

E

D

C

B