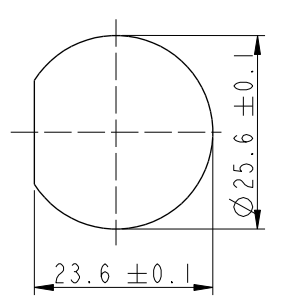
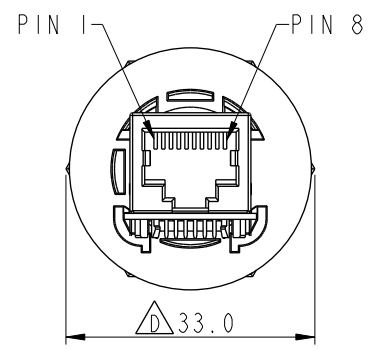
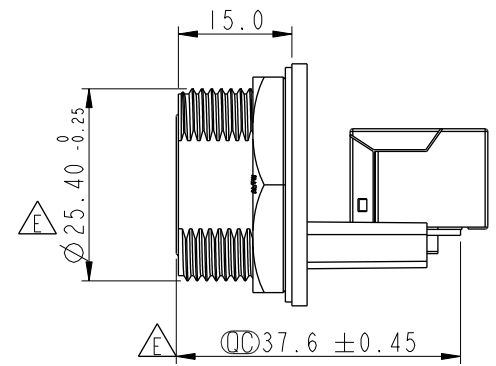
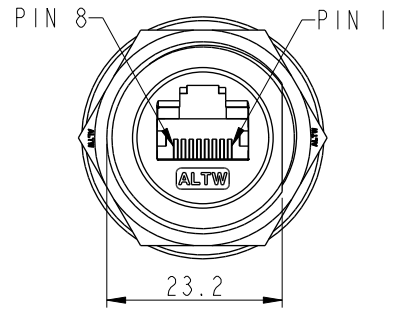
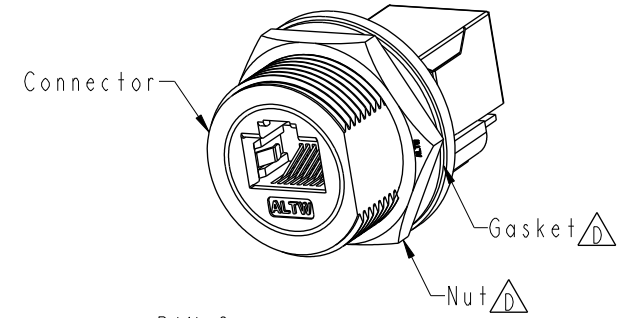
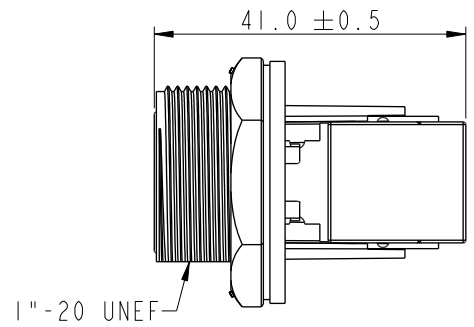


THIS DOCUMENT IS SUBJECT TO CHANGE WITHOUT NOTICE. IT IS CONFIDENTIAL AND A PROPERTY OF AMPHENOL LTW. DISCLOSURE TO THIRD PARTY HAS TO BE AUTHORIZED BY AMPHENOL LTW.

REV.	ECN NO.	DATE	SIGN	DESCRIPTION
E	LEN1810058	2017/11/28	Jalam	Change The Tolerance
F	C190405	2019/03/15	Ruru	Modify Note
G	C220800	2022/05/31	Vicky	$\triangle G$ X2



Recommended Panel Cut-Out

- $\triangle F$ $\triangle G$ Note:
- * RoHS Compliant
 - * $\text{\textcircled{C}}$ Important dimension
 - * Waterproof rate: IPX7, unmated
 - * Connector Housing: Thermoplastic, Black, RJ45 jack, shielded
 - * Nut: Thermoplastic, Black
 - * $\triangle D$ Gasket: Rubber, Gray
 - * Use with waterproof cap or dust cap
Panel thickness max: 2.4mm
 - * Use without waterproof cap or dust cap
Panel thickness max: 3.6mm
 - * Gasket and nut are packed separately in pe bag

UNIT: mm	$\text{\textcircled{C}}$	$\triangle G$	TITLE RJ, D PLASTIC, C5E SHLD FRONT FASTENED, F, PNL JACK S, SCREW	
TOLERANCE	.X ±0.25	SCALE	SIZE	SHEET OF
.XX ±0.1	1:1	A4	1	1
.XXX ±0.05	REV. G	WC-REV. B.6	$\text{\textcircled{C}}$: Inspection item	
ANGLES ±1°				

Amphenol LTW
安費諾亮泰企業股份有限公司

ITEM NO. RDP-5SPFFH-SCU7001	DRAWN BY Ruru	DATE 2019-03-15
DWG NO. RDP-5SPFFH-SCU7001	CHECKED BY Rita	DATE 2019-03-15
CUSTOMER ALTW	APPROVED BY Max	DATE 2019-03-15