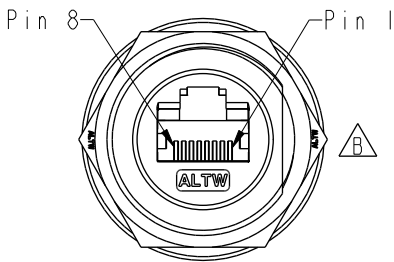
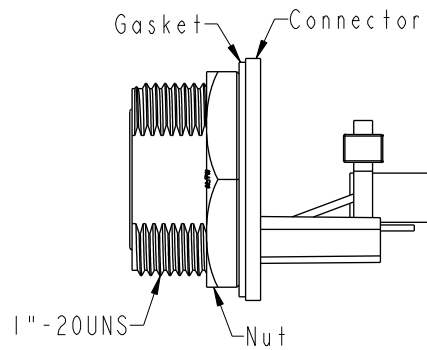


THIS DOCUMENT IS SUBJECT TO CHANGE WITHOUT NOTICE. IT IS CONFIDENTIAL AND A PROPERTY OF AMPHENOL LTW. DISCLOSURE TO THIRD PARTY HAS TO BE AUTHORIZED BY AMPHENOL LTW.

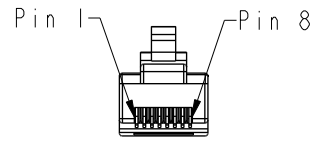
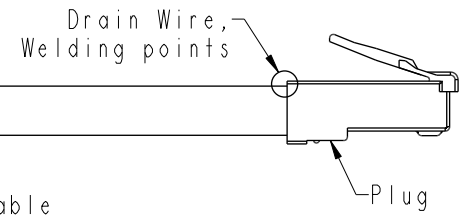
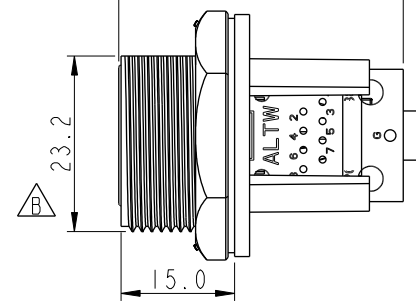
REV.	ECN NO.	DATE	SIGN	DESCRIPTION
C	LEN1810088	2017/11/29	Jalam	Change The Tolerance
D	E191612	2019/09/16	Ruru	Drawing Code Unified Writing
E	C220800	2022/05/30	Vicky	$\triangle E$ X2



C1



$\triangle C$ 37.6

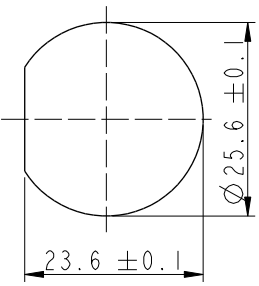


C2

RDP-5SPFFP-SCU7BXX $\triangle D$

- XX: 100~1000mm
- 10: 100mm
- 15: 150mm
- 20: 200mm
- 95: 950mm
- A0: 1000mm
- Cable Pitch Unit=50mm

- $\triangle E$ Note:
- * RoHS Compliant
 - * \odot Important dimension
 - * C1
 - Waterproof rate: IPX7, unmated
 - Housing: Thermoplastic, Black, RJ45 jack, Shielded
 - Nut: Thermoplastic, Black
 - Gasket: Rubber, Gray
 - * C2
 - Waterproof rate: Non-Waterproof
 - Plug: RJ45, Shielded
 - * Use with waterproof cap or dust cap
 - Panel thickness max: 2.4mm
 - * Use without waterproof cap or dust cap
 - Panel thickness max: 3.6mm
 - * Gasket and nut are assembled on connectors
 - * Cable: Cat.5E, 24#*4P+MY+D+AL, PVC Jacket, Black, OD6.5mm
 - * Cable length tolerance: 100mm: ± 10 mm
 - 100mm < L \leq 300mm: ± 15 mm
 - 300mm < L \leq 1000mm: ± 20 mm



Recommended Panel Cut-Out

Shield	Drain Wire	接地線	Shield	
8	Brown	棕	8	Twist
7	White/Brown	白/棕	7	
6	Green	綠	6	Twist
5	White/Blue	白/藍	5	
4	Blue	藍	4	Twist
3	White/Green	白/綠	3	
2	Orange	橘	2	Twist
1	White/Orange	白/橘	1	
C1	Wire Color		C2	
		Pin Out		

UNIT: mm		TITLE	$\triangle E$
TOLERANCE		RJ, D PLASTIC, C5E SHLD	
.X	± 0.25	FRONT FASTENED, F, PNL W/CABLE, SCREW	
.XX	± 0.1		
.XXX	± 0.05	SCALE	1:1
ANGLES	$\pm 1^\circ$	SIZE	A4
		SHEET	1 OF 1
		REV.	E
		WC-REV.	A.4
		\odot	Inspection item

Amphenol LTW
安費諾亮泰企業股份有限公司

ITEM NO	RDP-5SPFFP-SCU7BXX	DRAWN BY	Ruru	DATE	2019-09-16
DWG NO	RDP-5SPFFP-SCU7BXX	CHECKED BY	Rita	DATE	2019-09-16
CUSTOMER	ALTW	APPROVED BY	Max	DATE	2019-09-16