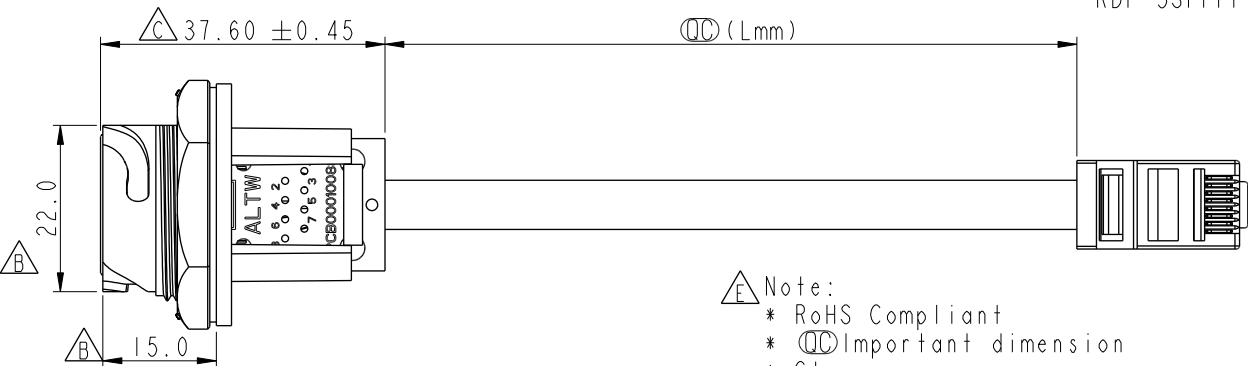
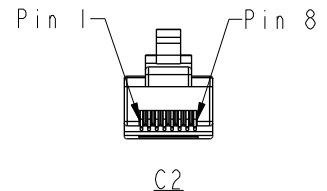
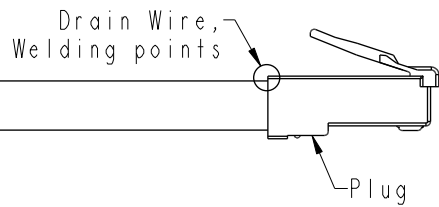
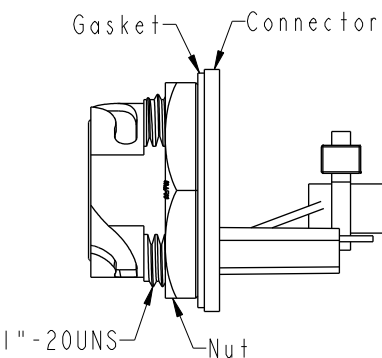
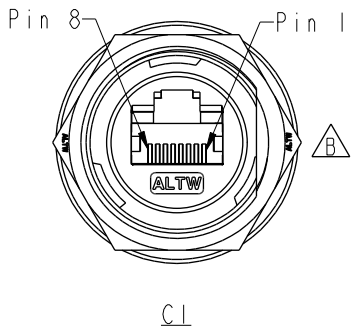


THIS DOCUMENT IS SUBJECT TO CHANGE WITHOUT NOTICE. IT IS CONFIDENTIAL AND A PROPERTY OF AMPHENOL LTW. DISCLOSURE TO THIRD PARTY HAS TO BE AUTHORIZED BY AMPHENOL LTW.

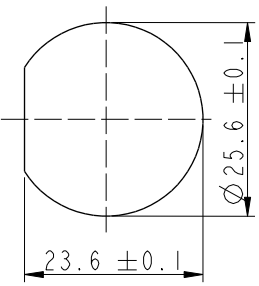
REV.	ECN NO.	DATE	SIGN	DESCRIPTION
C	LEN1810090	2017/11/29	Jalam	Change The Tolerance
D	E191612	2019/09/16	Ruru	Drawing Code Unified Writing
E	C220800	2022/05/30	Vicky	\triangle E X2



RDP-5SPFFP-TCU7BXX \triangle D

- XX: 100~1000mm
- 10: 100mm
- 15: 150mm
- 20: 200mm
- 95: 950mm
- A0: 1000mm
- Cable Pitch Unit=50mm

- \triangle E Note:
- * RoHS Compliant
 - * CC Important dimension
 - * C1
Waterproof rate: IPX7, unmeted
Housing: Thermoplastic, Black, RJ45 jack, Shielded
Nut: Thermoplastic, Black
Gasket: Rubber, Gray
 - * C2
Waterproof rate: Non-Waterproof
Plug: RJ45, Shielded
 - * Use with waterproof cap or dust cap
Panel thickness max: 1.3mm
 - * Use without waterproof cap or dust cap
Panel thickness max: 2.5mm
 - * Gasket and nut are assembled on connectors
 - * Cable: Cat.5E, 24#*4P+MY+D+AL, PVC Jacket, Black, OD6.5mm
 - * Cable length tolerance: 100mm: ± 10 mm
100mm < L \leq 300mm: ± 15 mm
300mm < L \leq 1000mm: ± 20 mm



Shield	Drain Wire	接地線	Shield	
8	Brown	棕	8	Twist
7	White/Brown	白/棕	7	
6	Green	綠	6	Twist
5	White/Blue	白/藍	5	
4	Blue	藍	4	Twist
3	White/Green	白/綠	3	
2	Orange	橘	2	Twist
1	White/Orange	白/橘	1	
C1	Wire Color		C2	
	Pin Out			

Recommended Panel Cut-Out

UNIT: mm		TITLE RJ, D PLASTIC, C5E SHLD FRONT FASTENED, F, PNL W/CABLE, 3LOCK \triangle E
TOLERANCE .X ± 0.25 .XX ± 0.1 .XXX ± 0.05 ANGLES $\pm 1^\circ$	SCALE 1:1	SIZE A4
	REV. E	SHEET 1 OF 1
	WC-REV. A.5	CC : Inspection item

Amphenol LTW
安費諾亮泰企業股份有限公司

ITEM NO RDP-5SPFFP-TCU7BXX	DRAWN BY Ruru	DATE 2019-09-16
DWG NO RDP-5SPFFP-TCU7BXX	CHECKED BY Rita	DATE 2019-09-16
CUSTOMER ALTW	APPROVED BY Max	DATE 2019-09-16