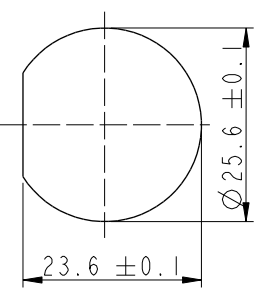
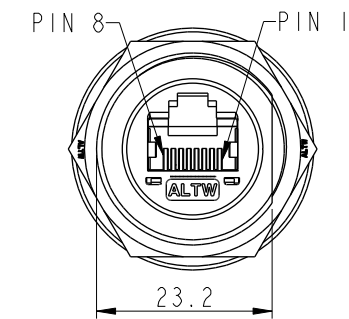
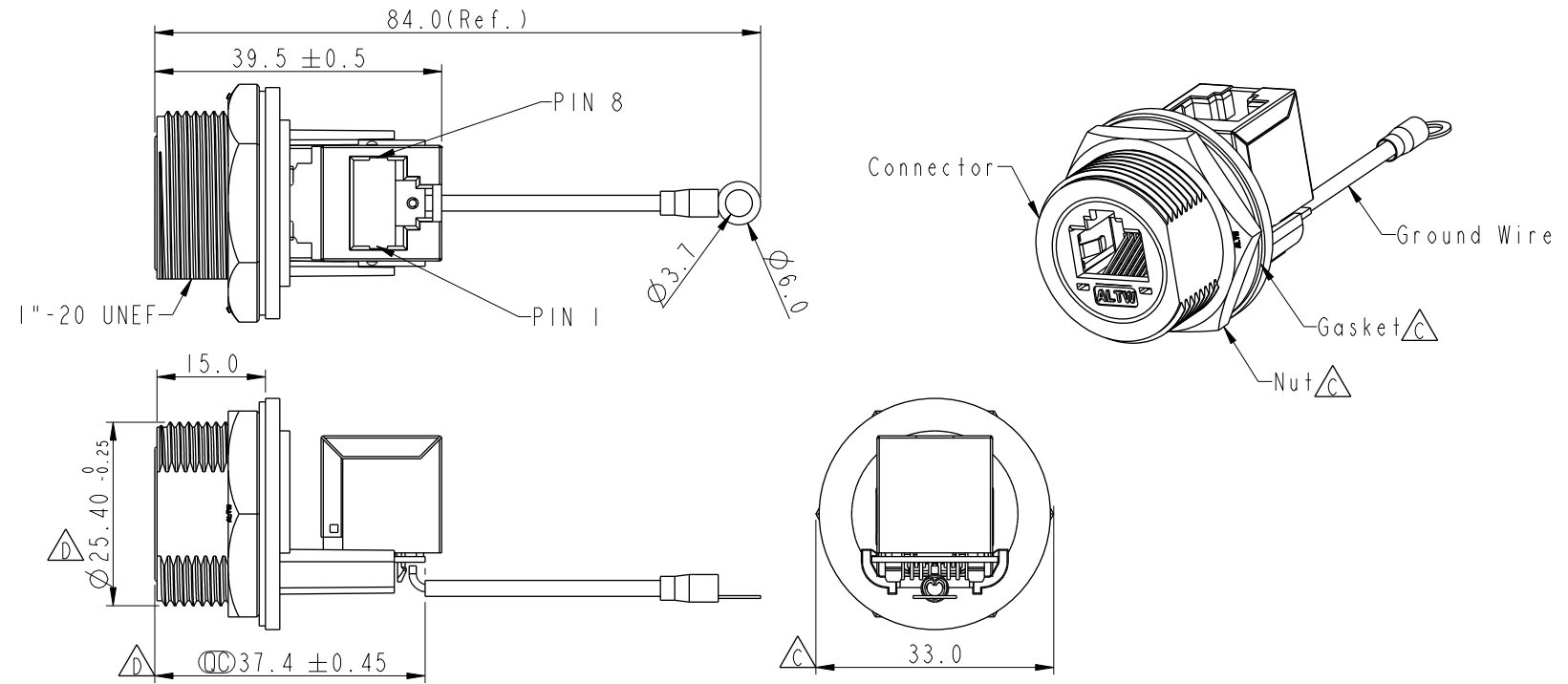


THIS DOCUMENT IS SUBJECT TO CHANGE WITHOUT NOTICE. IT IS CONFIDENTIAL AND A PROPERTY OF AMPHENOL LTW. DISCLOSURE TO THIRD PARTY HAS TO BE AUTHORIZED BY AMPHENOL LTW.

REV.	ECN NO.	DATE	SIGN	DESCRIPTION
D	LEN1810034	2017/11/29	Jalam	Modify The Tolerance
E	C190405	2019/03/18	Ruru	Modify Note
F	C220800	2022/06/02	Vicky	△ F X2



Recommended Panel Cut-Out

- Note:**
- \* RoHS Compliant
  - \*  $\text{⌀}$  Important dimension
  - \* Waterproof rate: IPX7, mated
  - \* Connector Housing: Thermoplastic, Black, RJ45 jack, shielded
  - \* Nut: Thermoplastic, Black
  - \* Gasket: Rubber, Gray
  - \* Use with waterproof cap or dust cap  
Panel thickness max: 2.4mm
  - \* Use without waterproof cap or dust cap  
Panel thickness max: 3.6mm
  - \* Gasket and nut are assembled on connectors
  - \* Wire: UL1015, 20AWG, Green

UNIT: mm			TITLE RJ, D PLASTIC, C5E SHLD FRONT FASTENED, F, PNL JACK R, SCREW
TOLERANCE .X ±0.25 .XX ±0.1 .XXX ±0.05 ANGLES ±1°	SCALE 1:1	SIZE A4	SHEET 1 OF 1
REV. F	WC-REV. A.7	$\text{⌀}$ Inspection item	

**Amphenol LTW**  
安費諾亮泰企業股份有限公司

ITEM NO. RDP-5SPFFV-SCM7002	DRAWN BY Ruru	DATE 2019-03-18
DWG NO. RDP-5SPFFV-SCM7002	CHECKED BY Rita	DATE 2019-03-18
CUSTOMER ALTW	APPROVED BY Max	DATE 2019-03-18