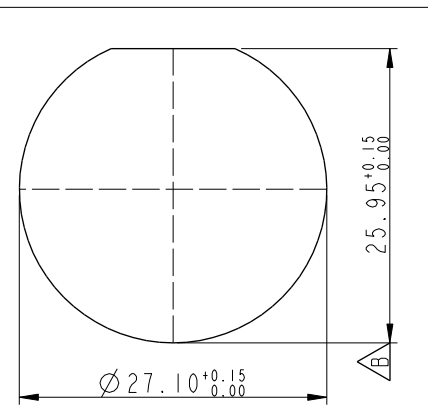
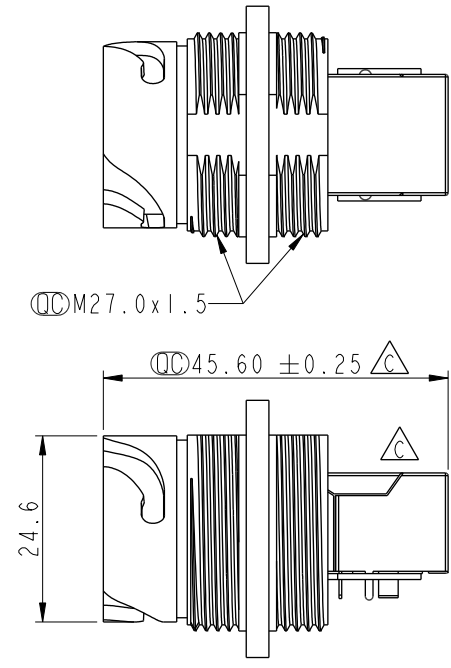
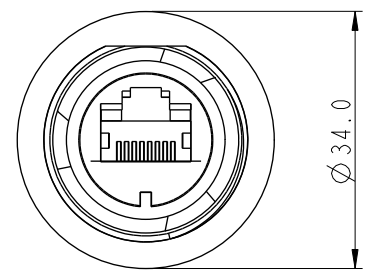
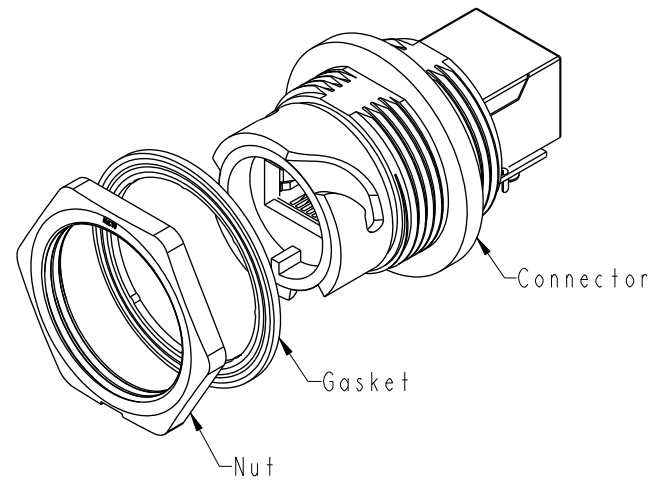


THIS DOCUMENT IS SUBJECT TO CHANGE WITHOUT NOTICE. IT IS CONFIDENTIAL AND A PROPERTY OF Amphenol LTW. DISCLOSURE TO THIRD PARTY HAS TO BE AUTHORIZED BY Amphenol LTW.

REV.	ECN NO.	DATE	SIGN	DESCRIPTION
C	LEN13A0045	2013/10/15	Raison	Modify Jack PN, Note Panel THK
D	LEN1610282	2016/01/13	Ruru	Change Note
E	C220801	2022/06/08	Vicky	△E X2



Recommended Panel Cut-Out

- △E Note:
- * RoHS Compliant
 - * Ⓞ Important dimension
 - * Waterproof rate: IPX7, unmated
 - * Connector Housing: Thermoplastic, Black, RJ45 jack, shielded
 - * Nut: Thermoplastic, Black
 - △D * Gasket: Rubber, Black
 - △C * For panel thickness max: 3.0mm
 - * Gasket and nut are packed separately in pe bag

UNIT: mm			TITLE RJ, ODVA PLASTIC, C5E SHLD DBL FASTENED, F, PNL JACK S, 3LOCK
TOLERANCE .X ±0.25 .XX ±0.1 .XXX ±0.05 ANGLES ±1°	SCALE 1:1	SIZE A4	SHEET 1 OF 1
REV. E	WC-REV. A.3	Ⓞ: Inspection item	

Amphenol LTW
安費諾亮泰企業股份有限公司

ITEM NO ROP-5SDFFH-TCU7001	DRAWN BY Ruru	DATE 2016-01-13
DWG NO ROP-5SDFFH-TCU7001	CHECKED BY Rita	DATE 2016-01-13
CUSTOMER ALTW	APPROVED BY Lisa	DATE 2016-01-13