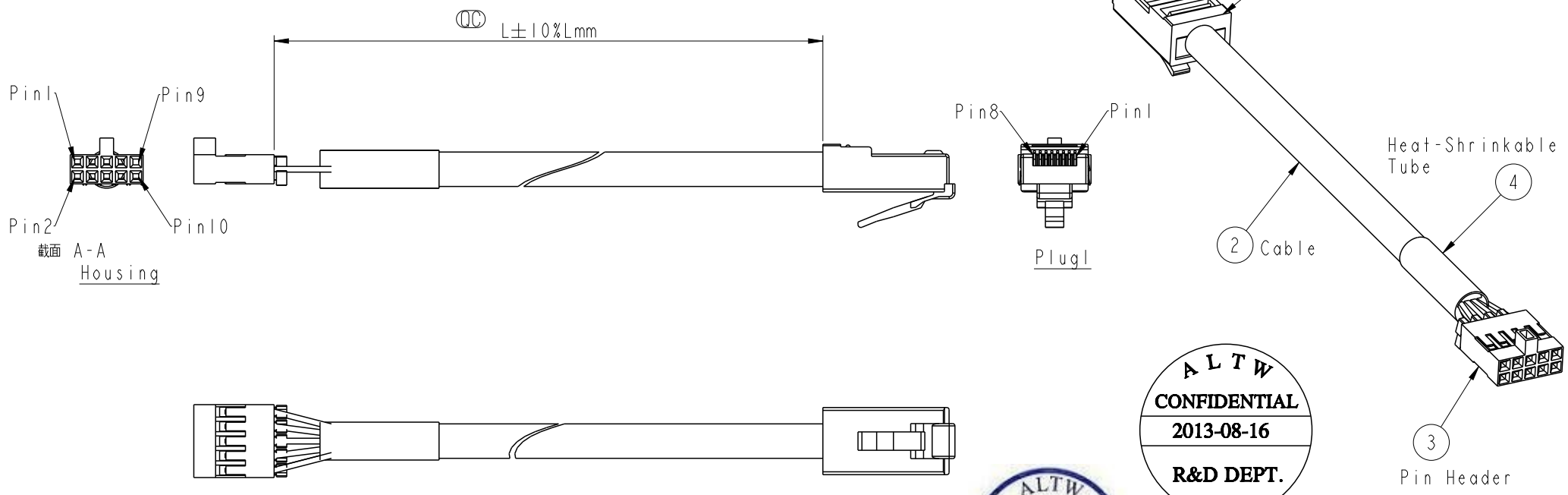


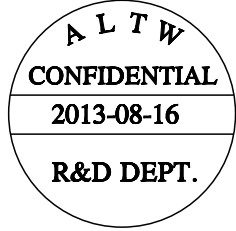
REV.	ECN NO.	DATE	SIGN	DESCRIPTION

F
E
D
C
B
A

THIS DOCUMENT IS SUBJECT TO CHANGE WITHOUT NOTICE. IT IS CONFIDENTIAL AND A PROPERTY OF Amphenol LTW. DISCLOSURE TO THIRD PARTY HAS TO BE AUTHORIZED BY Amphenol LTW.



SPG06-CHOPI-DXX
 XX: 100~1000mm
 10: 100mm
 15: 150mm
 20: 200mm
 |
 95: 950mm
 A0: 1000mm
 Cable Length(L):100~1000mm



Note:
 * \varnothing Important Dimension To Check
 * Plug: 8P8C RJ45 Shield Plug.
 * Cable: CAT.5E 24#*4P+T.M+D+AL.MY,OD6,Black
 * Cable Length Tolerance: $\pm 10\%$ Lmm
 * CONN. :JWT A254IH02-2x5P Pitch=2.54

Shield	Drain	接地線	9,10
8	Brown	棕	8
7	White/Brown	白/棕	7
6	Green	綠	6
5	White/Blue	白/藍	5
4	Blue	藍	4
3	White/Green	白/綠	3
2	Orange	橙	2
1	White/Orange	白/橙	1
Plug	Wire Color	CONN.	
	Pin Out		

UNIT:mm TOLERANCE .X ± 0.25 .XX ± 0.1 .XXX ± 0.05 ANGLES $\pm 1^\circ$	CPLRJ05G006+WCA0373XX01	Amphenol LTW 安費諾亮泰企業股份有限公司		ITEM NO	DRAWN BY	DATE
		SCALE 1:1	SIZE A4	SHEET 1 OF 1	DWG NO SPG06-CHOPI-DXX	CHECKED BY Tony
REV. A	WC-REV. A.7	\varnothing : Inspection item	CUSTOMER ALTW	APPROVED BY Victor	DATE 2013-08-16	