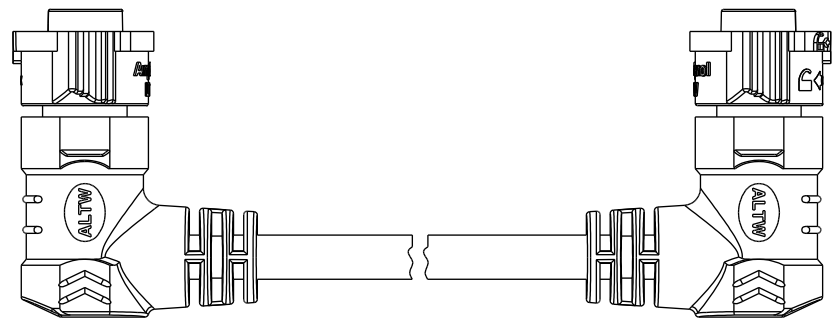
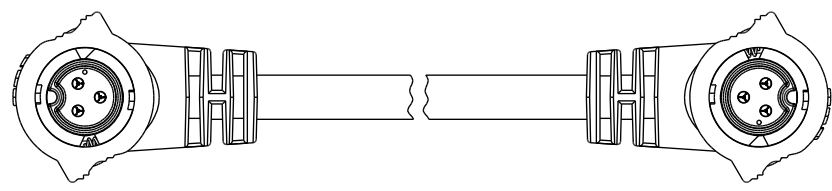
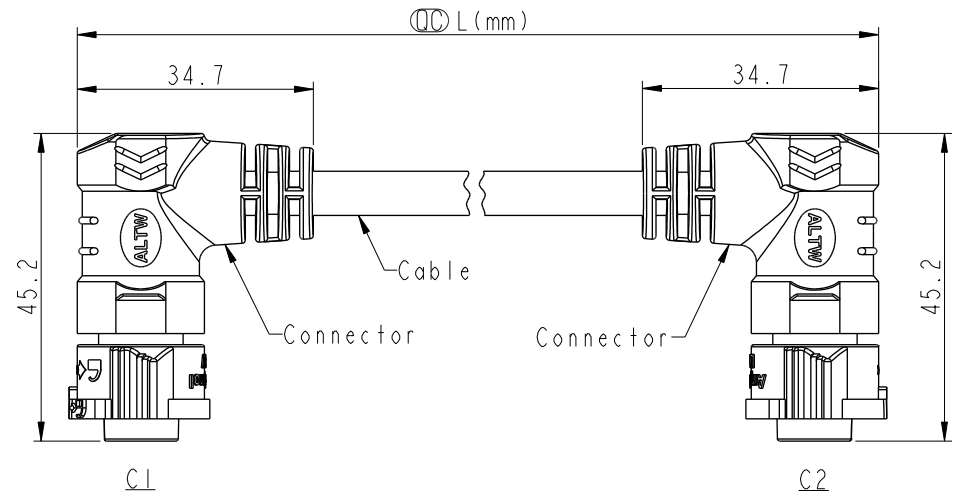


THIS DOCUMENT IS SUBJECT TO CHANGE WITHOUT NOTICE. IT IS CONFIDENTIAL AND A PROPERTY OF AMPHENOL LTW. DISCLOSURE TO THIRD PARTY HAS TO BE AUTHORIZED BY AMPHENOL LTW.

REV.	ECN NO.	DATE	SIGN	DESCRIPTION
A		2020/01/20	Vicky	Initial Released
B	C220467	2022/03/29	Vicky	$\triangle B$ X2
C	C230128	2023/02/09	Ruru	$\triangle C$ XI



- $\triangle B$  Note:
- \* RoHS Compliant
  - \*  $\odot$  Important dimension
  - $\triangle C$  \* Waterproof rate: IP68, mated 1m/24h
  - \* Connector
    - Housing: Thermoplastic, Black
    - Pin: Copper alloy, Gold plated
    - O-Ring: Rubber, Dark gray
    - Nut: Thermoplastic, Black
    - Outer Mold: Thermoplastic, Black
  - \* Cable: UL21388, PVC Jacket, Black
  - \* Cable length tolerance:
 

0.5M < L $\leq$ 1M:	+60/-0 mm
1M < L $\leq$ 3M:	+120/-0 mm
3M < L $\leq$ 5M:	+160/-0 mm
5M < L $\leq$ 10M:	$\pm 100$ mm
10M < L $\leq$ 20M:	$\pm 200$ mm
20M < L $\leq$ 30M:	$\pm 300$ mm
30M < L $\leq$ 99M:	$\pm 500$ mm

UNIT: mm   
 TOLERANCE  $\pm 0.5$ mm

TITLE ACC, XLOK, B-10A, DB-ENDED FF			
SCALE 1:2	SIZE A4	SHEET 1 OF 2	
REV. C	WC-REV. A.5	$\odot$ : Inspection item	

**Amphenol LTW**  
 安費諾亮泰企業股份有限公司

ITEM NO.	DRAWN BY Vicky	DATE 2020-01-20
DWG NO. AB-BBXXBR-BBBR-QDXXX	CHECKED BY Rita	DATE 2020-01-20
CUSTOMER ALTW	APPROVED BY Max	DATE 2020-01-20

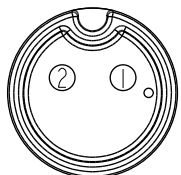
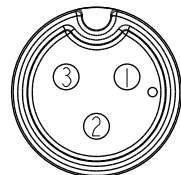
THIS DOCUMENT IS SUBJECT TO CHANGE WITHOUT NOTICE. IT IS CONFIDENTIAL AND A PROPERTY OF Amphenol LTW. DISCLOSURE TO THIRD PARTY HAS TO BE AUTHORIZED BY Amphenol LTW.

3P	PVC	6.5	16	AB-BB03BR-BBBR-QDXXX
2P		6.0		AB-BB02BR-BBBR-QDXXX
Contacts	Cable Jacket	Cable OD	AWG	Item No.


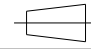
AB-BB XX BR-BBBR-QD XXX

△ B XX: No. Of Pin

XXX: 0.5~99Meters  
 A05: 0.5 Meter  
 001: 01 Meter  
 002: 02 Meters  
 :  
 099: 99 Meters

Pin Out	2 Red 1 Black	紅 黑	3 Red 2 Brown 1 Black	紅 棕 黑
	Pin #	Wire	Pin #	Wire
C1 & C2				
	2P		3P	

Pin Assignments Front View

UNIT:mm			TITLE
TOLERANCE	±0.5mm		ACC, XLOK, B-10A, DB-ENDED FF
SCALE	1:2	SIZE A4	SHEET 2 OF 2
REV.	C	WC-REV. A.5	QC: Inspection item

**Amphenol LTW**  
 安費諾亮泰企業股份有限公司

ITEM NO	DRAWN BY	DATE
DWG NO	CHECKED BY	DATE
CUSTOMER	APPROVED BY	DATE
ALTW	Vicky Rita Max	2020-01-20 2020-01-20 2020-01-20