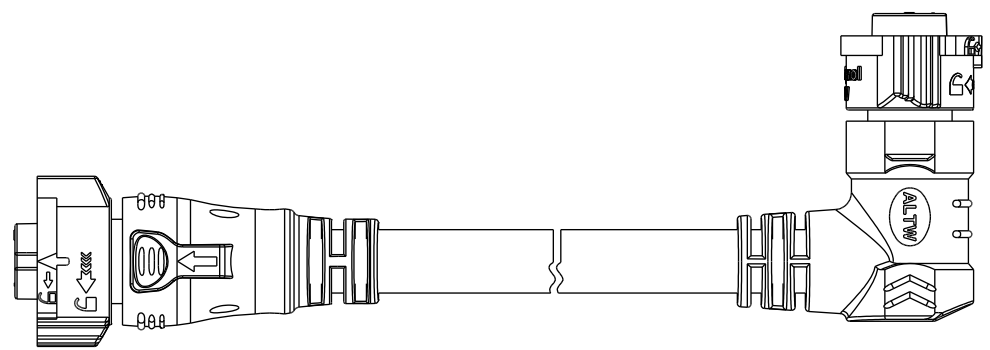
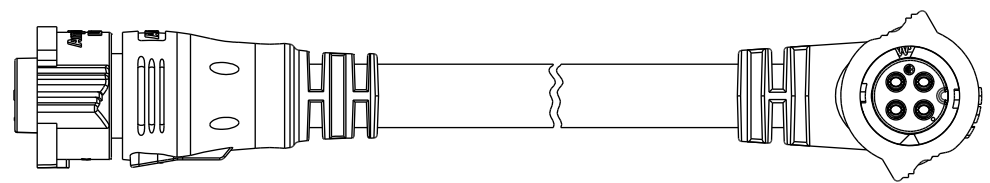
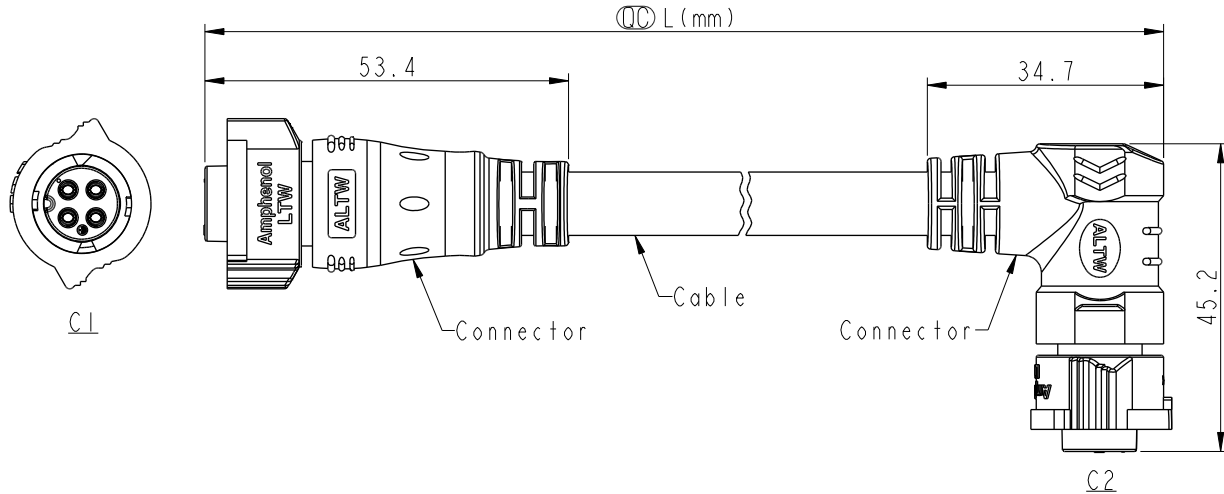


THIS DOCUMENT IS SUBJECT TO CHANGE WITHOUT NOTICE. IT IS CONFIDENTIAL AND A PROPERTY OF Amphenol LTW. DISCLOSURE TO THIRD PARTY HAS TO BE AUTHORIZED BY Amphenol LTW.

| REV. | ECN NO. | DATE | SIGN | DESCRIPTION |
|------|---------|------------|-------|------------------|
| B | C220468 | 2022/03/25 | Vicky | \triangle_B X2 |
| C | C221118 | 2022/07/26 | Vicky | \triangle_C X2 |
| D | C230128 | 2023/02/09 | Ruru | \triangle_D X2 |



- Note:
- * RoHS Compliant
 - * \circ Important dimension
 - * C1
 - \triangle_D Waterproof rate: IP68, mated 1m/24h
 - Housing: Thermoplastic, Black
 - Pin: Copper alloy, Gold plated
 - O-Ring: Rubber, Dark gray
 - Nut: Thermoplastic, Black
 - Outer Mold: Thermoplastic, Black
 - * C2
 - \triangle_D Waterproof rate: IP68, mated 1m/24h
 - Housing: Thermoplastic, Black
 - Pin: Copper alloy, Gold plated
 - O-Ring: Rubber, Dark gray
 - Nut: Thermoplastic, Black
 - Outer Mold: Thermoplastic, Black
 - * Cable: SJTW, PVC Jacket, Black
 - * Cable length tolerance:

| | |
|---------------|--------------|
| 0.5M < L ≤ 1M | : +60/-0 mm |
| 1M < L ≤ 3M | : +120/-0 mm |
| 3M < L ≤ 5M | : +160/-0 mm |
| 5M < L ≤ 10M | : ±100 mm |
| 10M < L ≤ 20M | : ±200 mm |
| 20M < L ≤ 30M | : ±300 mm |
| 30M < L ≤ 99M | : ±500 mm |

| | | | | | |
|-----------|--------|-------|----------------------------------|---------|-----------------|
| UNIT: mm | | TITLE | ACC, XLOK, B-10A, DB-ENDED FF | | |
| TOLERANCE | ±0.5mm | SCALE | 1:2 | SIZE | A4 |
| | | REV. | D | WC-REV. | A.5 |
| | | | | \circ | Inspection item |

Amphenol LTW
安費諾亮泰企業股份有限公司

| | | |
|----------------------|-------------|------------|
| ITEM NO. | DRAWN BY | DATE |
| | Vicky | 2020-01-20 |
| DWG NO. | CHECKED BY | DATE |
| AB-BBXXFL-BBFR-QEXXX | Rita | 2020-01-20 |
| CUSTOMER | APPROVED BY | DATE |
| ALTW | Max | 2020-01-20 |

THIS DOCUMENT IS SUBJECT TO CHANGE WITHOUT NOTICE. IT IS CONFIDENTIAL AND A PROPERTY OF AMPHENOL LTW. DISCLOSURE TO THIRD PARTY HAS TO BE AUTHORIZED BY AMPHENOL LTW.

| | | | | |
|----------|--------------|----------|-----|----------------------|
| 4P | PVC | 9.3 | 16 | AB-BB04FL-BBFR-QEXXX |
| 3P | | 8.6 | | AB-BB03FL-BBFR-QEXXX |
| 2P | | 8.2 | | AB-BB02FL-BBFR-QEXXX |
| Contacts | Cable Jacket | Cable OD | AWG | Item No. |

AB-BB XX FL-BBFR-QE XXX

△ XX: No. Of Pin XXX: 0.5~99Meters
 A05: 0.5 Meter
 001: 01 Meter
 002: 02 Meters
 :
 099: 99 Meters

| Pin Out | 2 White 1 Black | 3 Green 2 White 1 Black | 4 Red 3 Green 2 White 1 Black |
|---------|--------------------|-------------------------------|--|
| | Pin # Wire | Pin # Wire | Pin # Wire |
| C2 | | | |
| C1 | | | |

Pin Assignments Front View

| | | | |
|-----------|--------|--|-------------|
| UNIT:mm | | TITLE ACC, XLOK, B-10A, DB-ENDED FF | |
| TOLERANCE | ±0.5mm | SCALE 1:2 | SIZE A4 |
| | | REV. D | WC-REV. A.5 |
| | | SHEET 2 OF 2 | |
| | | QC: Inspection item | |

Amphenol LTW
 安費諾亮泰企業股份有限公司

| | | |
|-----------------------------|-----------------|-----------------|
| ITEM NO | DRAWN BY Vicky | DATE 2020-01-20 |
| DWG NO AB-BBXXFL-BBFR-QEXXX | CHECKED BY Rita | DATE 2020-01-20 |
| CUSTOMER ALTW | APPROVED BY Max | DATE 2020-01-20 |