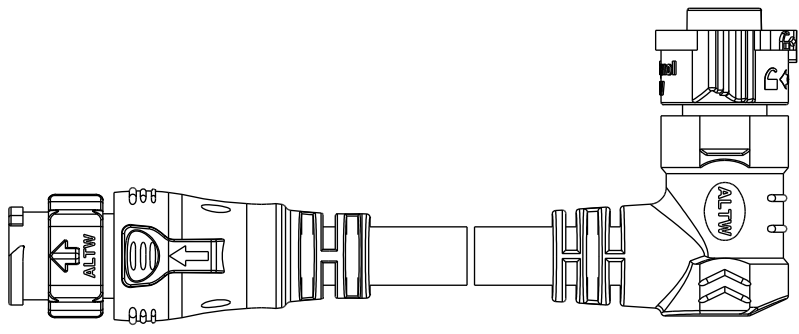
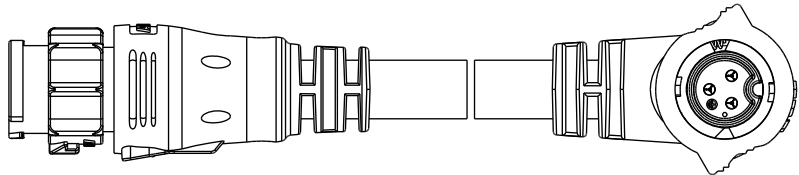
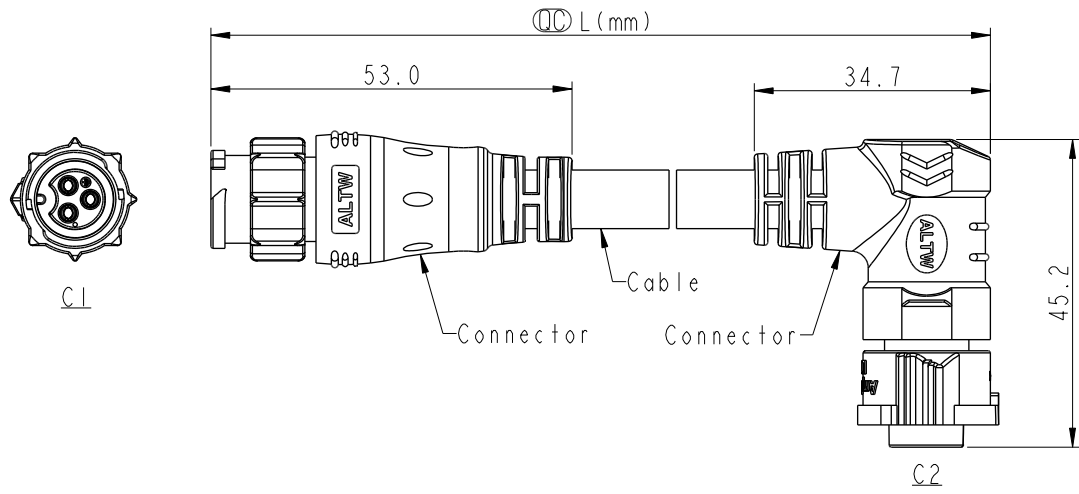


THIS DOCUMENT IS SUBJECT TO CHANGE WITHOUT NOTICE. IT IS CONFIDENTIAL AND A PROPERTY OF AMPHENOL LTW. DISCLOSURE TO THIRD PARTY HAS TO BE AUTHORIZED BY AMPHENOL LTW.

REV.	ECN NO.	DATE	SIGN	DESCRIPTION
B	C220469	2022/03/25	Vicky	$\triangle B$ X2
C	C221118	2022/07/26	Vicky	$\triangle C$ X2
D	C230130	2023/02/09	Ruru	$\triangle D$ X2



$\triangle B$

Note:

- * RoHS Compliant
- * \odot Important dimension
- * C1

$\triangle D$

- Waterproof rate: IP68, mated 1m/24h
- Housing: Thermoplastic, Black
- Pin: Copper alloy, Gold plated
- Outer Mold: Thermoplastic, Black

* C2

$\triangle D$

- Waterproof rate: IP68, mated 1m/24h
- Housing: Thermoplastic, Black
- Pin: Copper alloy, Gold plated
- O-Ring: Rubber, Dark gray
- Nut: Thermoplastic, Black
- Outer Mold: Thermoplastic, Black

- * Cable: SJTW, PVC Jacket, Black
- * Cable length tolerance: 0.5M < L \leq 1M: +60/-0 mm
- 1M < L \leq 3M: +120/-0 mm
- 3M < L \leq 5M: +160/-0 mm
- 5M < L \leq 10M: \pm 100 mm
- 10M < L \leq 20M: \pm 200 mm
- 20M < L \leq 30M: \pm 300 mm
- 30M < L \leq 99M: \pm 500 mm

UNIT:mm		TITLE	ACC, XLOK, B-10A, DB-ENDED MF		
TOLERANCE	$\pm 0.5mm$	SCALE	1:2	SIZE	A4
		REV.	D	WC-REV.	A.5
			\odot	Inspection item	
		SHEET	1	OF	2

Amphenol LTW
安費諾亮泰企業股份有限公司

ITEM NO	DRAWN BY	DATE
	Vicky	2020-01-20
DWG NO	CHECKED BY	DATE
AB-BBXXHL-BBBR-QEXXX	Rita	2020-01-20
CUSTOMER	APPROVED BY	DATE
ALTW	Max	2020-01-20

THIS DOCUMENT IS SUBJECT TO CHANGE WITHOUT NOTICE. IT IS CONFIDENTIAL AND A PROPERTY OF AMPHENOL LTW. DISCLOSURE TO THIRD PARTY HAS TO BE AUTHORIZED BY AMPHENOL LTW.

3P	PVC	8.6	16	AB-BB03HL-BBBR-QEXXX
2P		8.2		AB-BB02HL-BBBR-QEXXX
Contacts	Cable Jacket	Cable OD	AWG	Item No.

AB-BB XX HL-BBBR-QE XXX

△ XX: No. Of Pin

XXX: 0.5~99Meters
 A05: 0.5 Meter
 001: 01 Meter
 002: 02 Meters
 .
 099: 99 Meters

Pin Out	2	White	白	2	Green	綠
	1	Black	黑	1	White	白
				1	Black	黑
	Pin #	Wire		Pin #	Wire	
C2						
	2P			3P		
C1						
	2P			3P		

Pin Assignments Front View

UNIT:mm		TITLE	ACC, XLOK, B-10A, DB-ENDED MF	
TOLERANCE	±0.5mm	SCALE	1:2	SIZE A4
		REV.	D	WC-REV. A.5
				SHEET 2 OF 2
				QC: Inspection item

Amphenol LTW
 安費諾亮泰企業股份有限公司

ITEM NO		DRAWN BY	Vicky	DATE	2020-01-20
DWG NO	AB-BBXXHL-BBBR-QEXXX	CHECKED BY	Rita	DATE	2020-01-20
CUSTOMER	ALTW	APPROVED BY	Max	DATE	2020-01-20