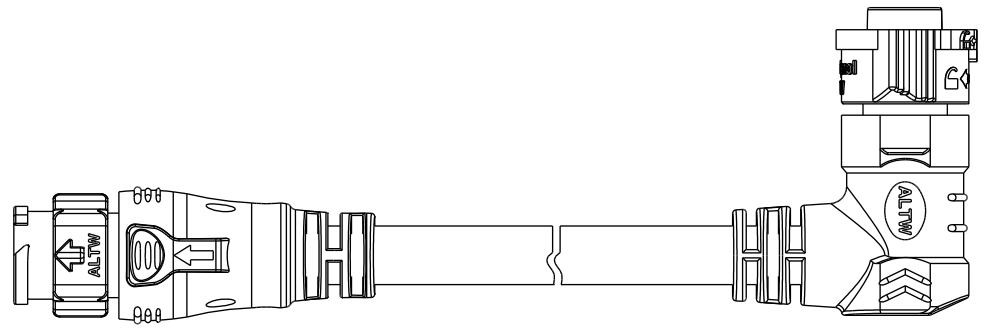
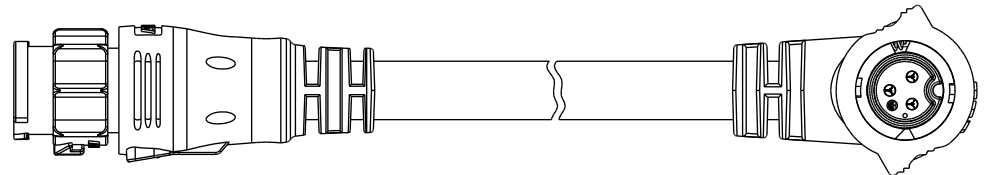
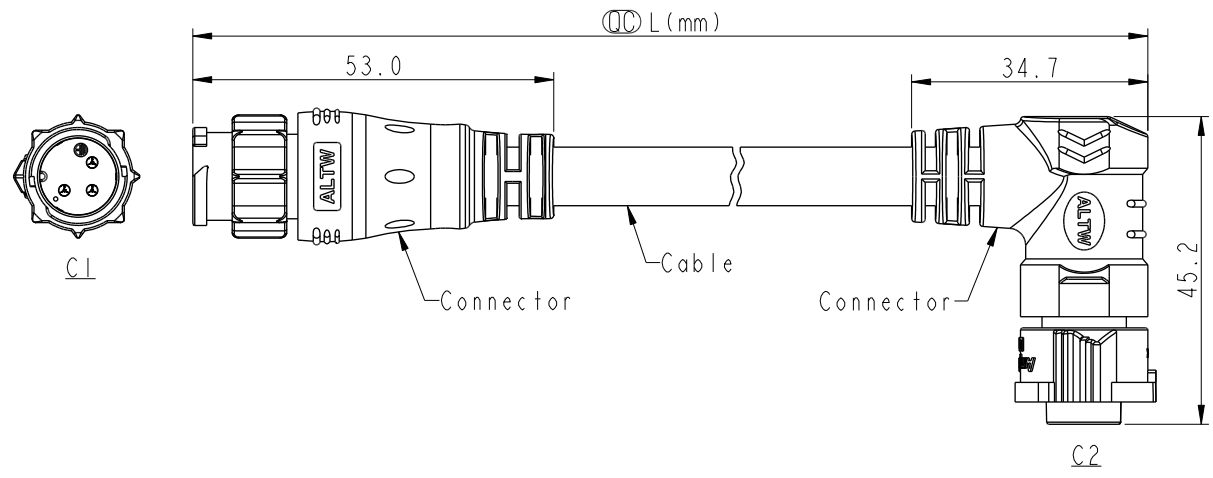


THIS DOCUMENT IS SUBJECT TO CHANGE WITHOUT NOTICE. IT IS CONFIDENTIAL AND A PROPERTY OF AMPHENOL LTW. DISCLOSURE TO THIRD PARTY HAS TO BE AUTHORIZED BY AMPHENOL LTW.

REV.	ECN NO.	DATE	SIGN	DESCRIPTION
B	C220469	2022/03/25	Vicky	$\triangle B$ X2
C	C221118	2022/07/26	Vicky	$\triangle C$ X2
D	C230125	2023/02/07	Ruru	$\triangle D$ X2



- Note:
- * RoHS Compliant
 - * \circ Important dimension
 - * C1
 - $\triangle B$ Waterproof rate: IP68, mated 1m/24h
Housing: Thermoplastic, Black
Pin: Copper alloy, Gold plated
Outer Mold: Thermoplastic, Black
 - * C2
 - $\triangle D$ Waterproof rate: IP68, mated 1m/24h
Housing: Thermoplastic, Black
Pin: Copper alloy, Gold plated
O-Ring: Rubber, Dark gray
Nut: Thermoplastic, Black
Outer Mold: Thermoplastic, Black
 - * Cable: SJTW, PVC Jacket, Black
 - * Cable length tolerance: 0.5M < L ≤ 1M: +60/-0 mm
1M < L ≤ 3M: +120/-0 mm
3M < L ≤ 5M: +160/-0 mm
5M < L ≤ 10M: ±100 mm
10M < L ≤ 20M: ±200 mm
20M < L ≤ 30M: ±300 mm
30M < L ≤ 99M: ±500 mm

UNIT: mm		TITLE	ACC, XLOK, B-10A, DB-ENDED MF		
TOLERANCE	±0.5mm	SCALE	1:2	SIZE	A4
		REV.	D	WC-REV.	A.5
			\circ Inspection item		
		SHEET	1	OF	2

Amphenol LTW
安費諾亮泰企業股份有限公司

ITEM NO.	DRAWN BY	DATE
	Vicky	2020-01-20
DWG NO.	CHECKED BY	DATE
AB-BBXXML-BBBR-QEXXX	Rita	2020-01-20
CUSTOMER	APPROVED BY	DATE
ALTW	Max	2020-01-20

THIS DOCUMENT IS SUBJECT TO CHANGE WITHOUT NOTICE. IT IS CONFIDENTIAL AND A PROPERTY OF Amphenol LTW. DISCLOSURE TO THIRD PARTY HAS TO BE AUTHORIZED BY Amphenol LTW.

3P	PVC	8.6	16	AB-BB03ML-BBBR-QEXXX
2P		8.2		AB-BB02ML-BBBR-QEXXX
Contacts	Cable Jacket	Cable OD	AWG	Item No.

AB-BB XX ML-BBBR-QE XXX

△ XX: No. Of Pin

XXX: 0.5~99Meters
 A05: 0.5 Meter
 001: 01 Meter
 002: 02 Meters
 .
 099: 99 Meters

Pin Out	2 White 1 Black	白 黑	3 Green 2 White 1 Black	綠 白 黑
	Pin #	Wire	Pin #	Wire
C2				
C1				

Pin Assignments Front View

UNIT:mm		TITLE	ACC, XLOK, B-10A, DB-ENDED MF	
TOLERANCE	±0.5mm	SCALE	1:2	SIZE A4
		REV.	D	WC-REV. A.5
			SHEET 2 OF 2	
			QC: Inspection item	

Amphenol LTW
 安費諾亮泰企業股份有限公司

ITEM NO	DRAWN BY	DATE
DWG NO	CHECKED BY	DATE
CUSTOMER	APPROVED BY	DATE
ALTW	Vicky Rita Max	2020-01-20 2020-01-20 2020-01-20