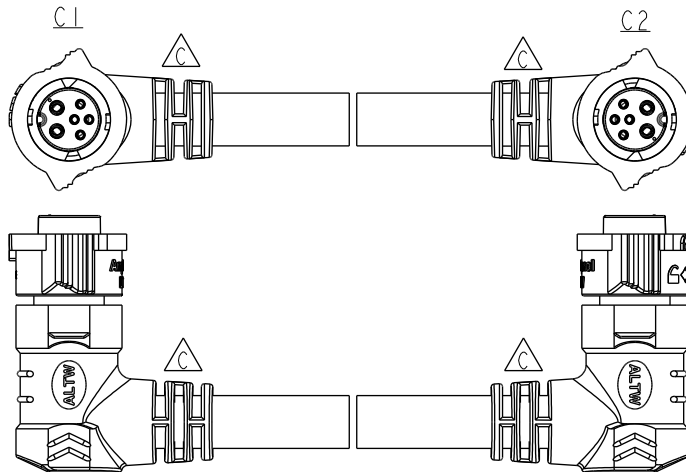
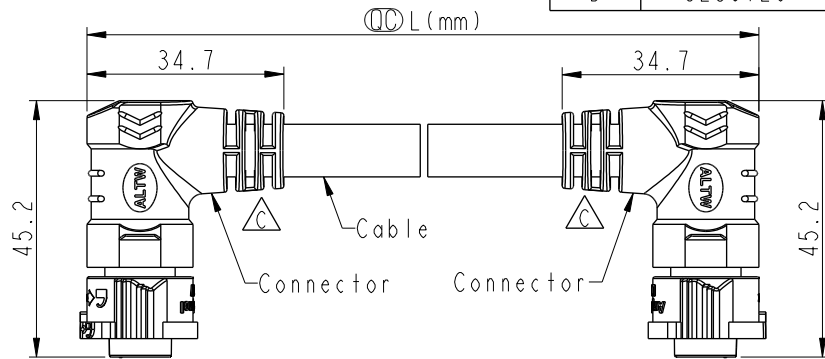


THIS DOCUMENT IS SUBJECT TO CHANGE WITHOUT NOTICE. IT IS CONFIDENTIAL AND A PROPERTY OF AMPHENOL LTW. DISCLOSURE TO THIRD PARTY HAS TO BE AUTHORIZED BY AMPHENOL LTW.

REV.	ECN NO.	DATE	SIGN	DESCRIPTION
B	C220646	2022/04/28	Vicky	△B X2
C	C221777	2022/11/15	Vicky	△C X6
D	C230129	2023/02/09	Ruru	△D X1

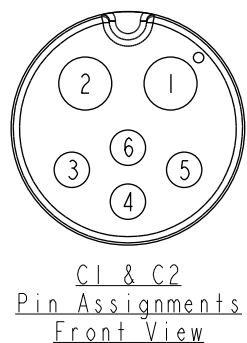


AB-BBD XX FR-BBDFR-QF XXX

△B
XX: No. Of Pin

XXX: 0.5~99Meters
A05: 0.5 Meter
001: 01 Meter
002: 02 Meters
:
099: 99 Meters

- △B Note:
- * RoHS Compliant
 - * Ⓞ Important dimension
 - △D * Waterproof rate: IP68, mated 1m/24h
 - * Connector
 - Housing: Thermoplastic, Black
 - Pin: Copper alloy, Gold plated
 - O-Ring: Rubber, Dark gray
 - Nut: Thermoplastic, Black
 - Outer Mold: Thermoplastic, Black
 - * Cable: UL21996, 16#*2C+AL/MY+(26#*2P+AL/MY), PVC Jacket, Black, OD9.3mm
 - * Cable length tolerance: 0.5M < L ≤ 1M: +60/-0 mm
1M < L ≤ 3M: +120/-0 mm
3M < L ≤ 5M: +160/-0 mm
5M < L ≤ 10M: ±100 mm
10M < L ≤ 20M: ±200 mm
20M < L ≤ 30M: ±300 mm
30M < L ≤ 99M: ±500 mm



6	Blue (26AWG)	藍	Twist 對線
5	Red (26AWG)	紅	
4	Green (26AWG)	綠	Twist 對線
3	White (26AWG)	白	
2	Black (16AWG)	黑	
1	White (16AWG)	白	
C1 & C2	Wire Color		
Pin Out			

UNIT:mm

TOLERANCE ±0.5mm

TITLE			
ACC, XLOK, B-10A+5A, DB-ENDED FF			
SCALE	SIZE	SHEET	OF
1:2	A4	1	1
REV.	WC-REV.	Ⓞ: Inspection item	
D	A.5		

Amphenol LTW
安費諾亮泰企業股份有限公司

ITEM NO	DRAWN BY	DATE
	Vicky	2020-01-20
DWG NO	CHECKED BY	DATE
AB-BBDXXFR-BBDFR-QFXXX	Rita	2020-01-20
CUSTOMER	APPROVED BY	DATE
ALTW	Max	2020-01-20