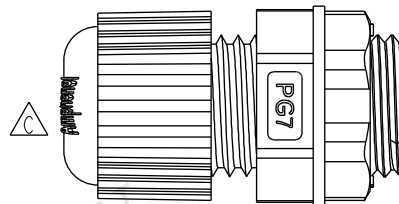
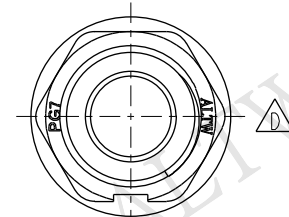
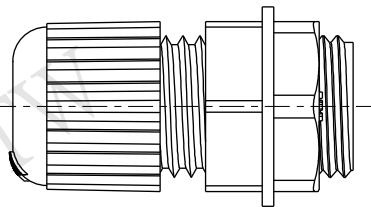
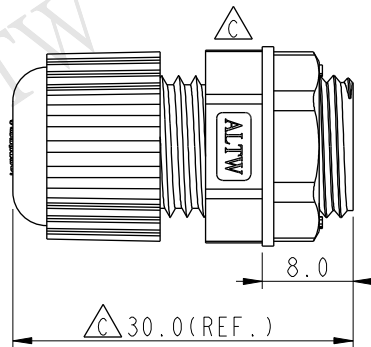
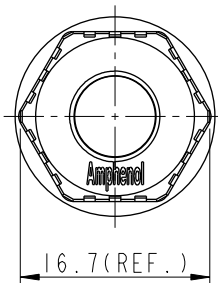
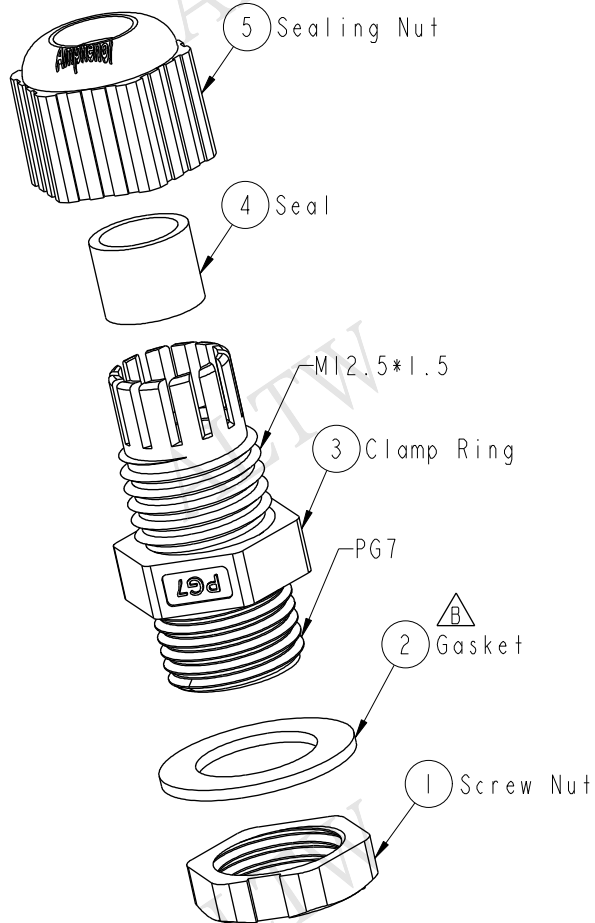


ALTW
CONFIDENTIAL
2015-05-29
R&D DEPT.

REV.	ECN NO.	DATE	SIGN	DESCRIPTION
B	LE3-740253	2007/04/19	Jerry	Change Gasket
C	LEN1510142	2015/01/06	Vicky	Update Logo & Dimension
D	LEN1560409	2015/05/29	Ruru	Change Logo



Note:

- * Waterproof Rate: IP68
IP68: IM Depth Of Water In 24hours
- * Screw Nut: Nylon, Gray
- * Gasket: EPDM, Black
- * Clamp Ring: Nylon, Gray
- * Seal: EPDM, Black
- * Sealing Nut: Nylon, Gray
- * Cable Range: $\varnothing 4.5\text{mm} \sim \varnothing 6.5\text{mm}$
- * For Panel Thickness: 3.0mm Max.
- * Spanner Size:
Body: 15.0mm
Sealing Nut: 15.0mm
Screw Nut: 15.0mm

UNIT:mm		TITLE	PG7 Cable Gland Assembly		
TOLERANCE	$\pm 0.5 \text{ mm}$	SCALE	3:2	SIZE	A4
		REV.	D	WC-REV.	A.3
		QC: Inspection item			

Amphenol LTW
安費諾亮泰企業股份有限公司

ITEM NO	CSG-07G002	DRAWN BY	Ruru	DATE	2015-05-29
DWG NO	CSG-07G002	CHECKED BY	Rita	DATE	2015-05-29
CUSTOMER	ALTW	APPROVED BY	Lion	DATE	2015-05-29

THIS DOCUMENT IS SUBJECT TO CHANGE WITHOUT NOTICE. IT IS CONFIDENTIAL AND A PROPERTY OF Amphenol LTW. DISCLOSURE TO THIRD PARTY HAS TO BE AUTHORIZED BY Amphenol LTW.