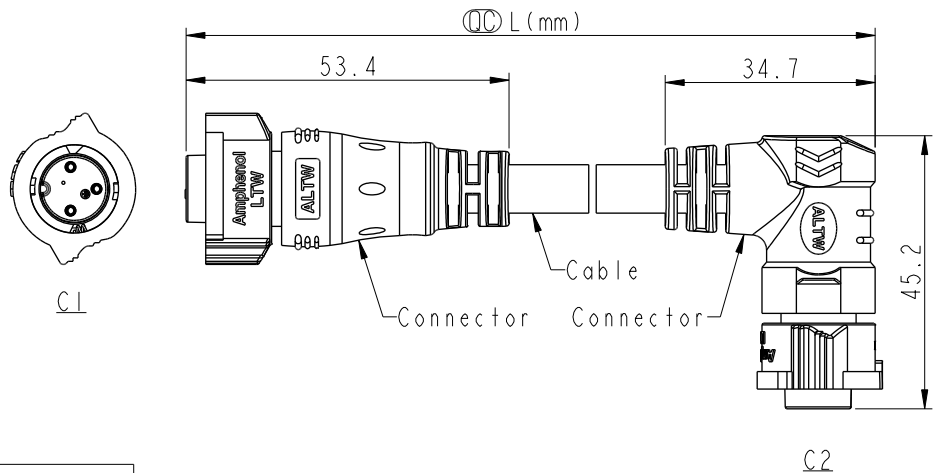


THIS DOCUMENT IS SUBJECT TO CHANGE WITHOUT NOTICE. IT IS CONFIDENTIAL AND A PROPERTY OF Amphenol LTW. DISCLOSURE TO THIRD PARTY HAS TO BE AUTHORIZED BY Amphenol LTW.

REV.	ECN NO.	DATE	SIGN	DESCRIPTION
A		2020/01/20	Vicky	Initial Released
B	C220470	2022/03/25	Vicky	△B X2
C	C230131	2023/02/10	Ruru	△C X2



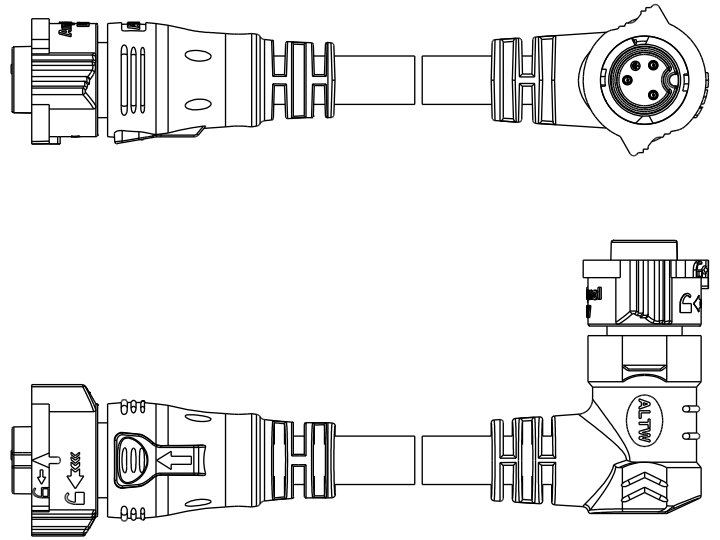
AB-BD XX FL-BDBR-OE XXX

△B XX: No. Of Pin

XXX: 0.5~99Meters
 A05: 0.5 Meter
 001: 01 Meter
 002: 02 Meters
 :
 099: 99 Meters

- △B Note:
- * RoHS Compliant
 - * (C) Important dimension
 - * C1
 - △C Waterproof rate: IP68, mated 1m/24h
 Housing: Thermoplastic, Black
 Pin: Copper alloy, Gold plated
 O-Ring: Rubber, Dark gray
 Nut: Thermoplastic, Black
 Outer Mold: Thermoplastic, Black
 - * C2
 - △C Waterproof rate: IP68, mated 1m/24h
 Housing: Thermoplastic, Black
 Pin: Copper alloy, Gold plated
 O-Ring: Rubber, Dark gray
 Nut: Thermoplastic, Black
 Outer Mold: Thermoplastic, Black
 - * Cable: SJTW, 18#*3C, PVC Jacket, Black, OD8.0mm
 - * Cable length tolerance: 0.5M < L ≤ 1M: +60/-0 mm
 1M < L ≤ 3M: +120/-0 mm
 3M < L ≤ 5M: +160/-0 mm
 5M < L ≤ 10M: ±100 mm
 10M < L ≤ 20M: ±200 mm
 20M < L ≤ 30M: ±300 mm
 30M < L ≤ 99M: ±500 mm

Pin Out	Wire	白	綠	黑
3	White			
2	Green			
1	Black			
Pin #	Wire			
C2		3P		
C1		3P		



UNIT:mm		TITLE	ACC, XLOK, B-5A, DB-ENDED FF	
TOLERANCE	±0.5mm	SCALE	1:2	SIZE A4
		REV.	C	WC-REV. A.5
			(C) Inspection item	

Amphenol LTW
 安費諾亮泰企業股份有限公司

ITEM NO	DRAWN BY	DATE
	Vicky	2020-01-20
DWG NO	CHECKED BY	DATE
AB-BDXXFL-BDBR-OEXXX	Rita	2020-01-20
CUSTOMER	APPROVED BY	DATE
ALTW	Max	2020-01-20