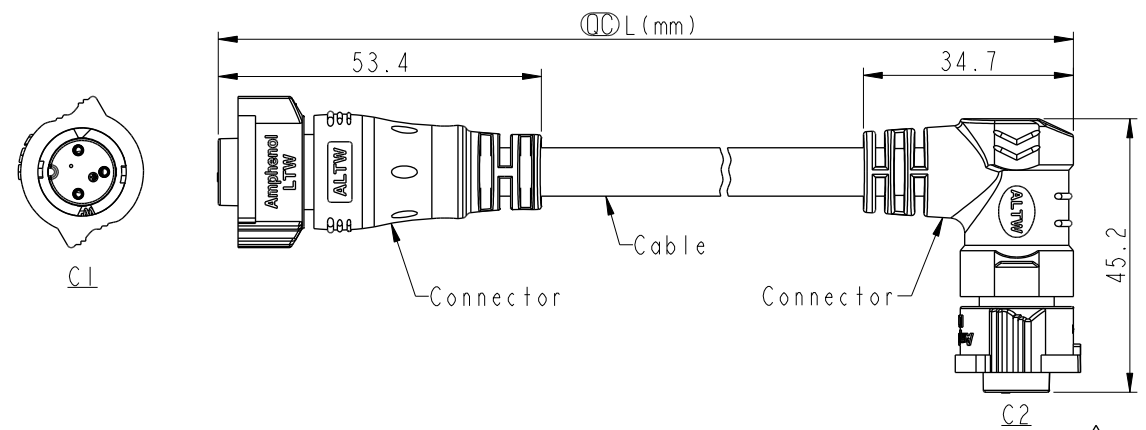


THIS DOCUMENT IS SUBJECT TO CHANGE WITHOUT NOTICE. IT IS CONFIDENTIAL AND A PROPERTY OF Amphenol LTW. DISCLOSURE TO THIRD PARTY HAS TO BE AUTHORIZED BY Amphenol LTW.

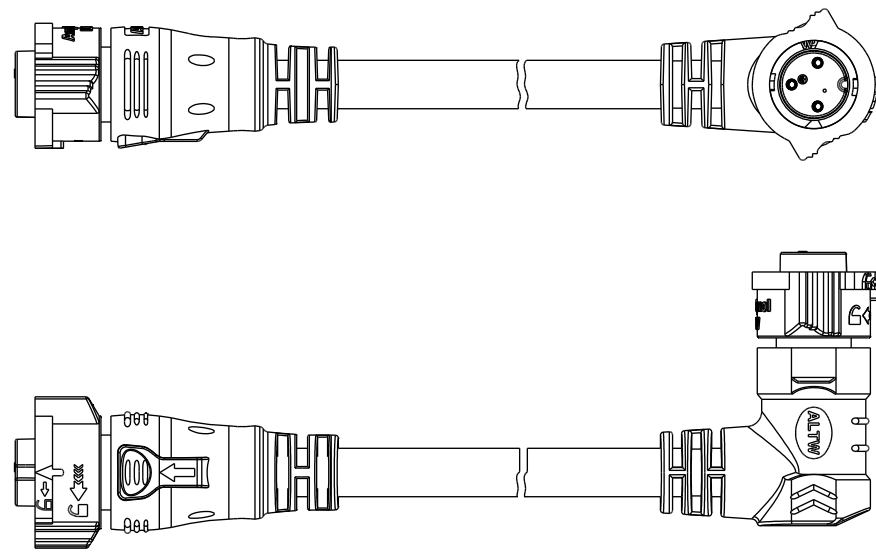
REV.	ECN NO.	DATE	SIGN	DESCRIPTION
A		2020/01/20	Vicky	Initial Released
B	C220471	2022/03/25	Vicky	△B X2
C	C230132	2023/02/10	Ruru	△C X2



AB-BD XX FL-BDFR-QE XXX

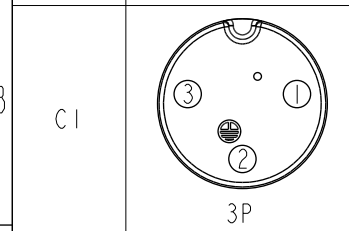
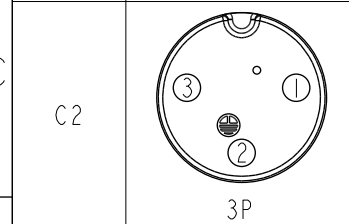
△B XX: No. Of Pin

XXX: 0.5-99Meters  
 A05: 0.5 Meter  
 001: 01 Meter  
 002: 02 Meters  
 ...  
 099: 99 Meters



- Note:
- \* RoHS Compliant
  - \* (C) Important dimension
  - \* C1  
 △ Waterproof rate: IP68, mated 1m/24h  
 Housing: Thermoplastic, Black  
 Pin: Copper alloy, Gold plated  
 O-Ring: Rubber, Dark gray  
 Nut: Thermoplastic, Black  
 Outer Mold: Thermoplastic, Black
  - \* C2  
 △ Waterproof rate: IP68, mated 1m/24h  
 Housing: Thermoplastic, Black  
 Pin: Copper alloy, Gold plated  
 O-Ring: Rubber, Dark gray  
 Nut: Thermoplastic, Black  
 Outer Mold: Thermoplastic, Black
  - \* Cable: SJTW, 18#\*3C, PVC Jacket, Black, OD8.0mm
  - \* Cable length tolerance: 0.5M < L ≤ 1M: +60/-0 mm  
 1M < L ≤ 3M: +120/-0 mm  
 3M < L ≤ 5M: +160/-0 mm  
 5M < L ≤ 10M: ±100 mm  
 10M < L ≤ 20M: ±200 mm  
 20M < L ≤ 30M: ±300 mm  
 30M < L ≤ 99M: ±500 mm

Pin Out	Wire	白	綠	黑
3	White			
2	Green			
1	Black			



Pin Assignments  
Front View

UNIT:mm

TOLERANCE

±0.5mm

TITLE ACC, XLOK, B-5A, DB-ENDED FF			
SCALE 1:2	SIZE A4	SHEET 1 OF 1	
REV. C	WC-REV. A.5	(C): Inspection item	

**Amphenol LTW**  
安費諾亮泰企業股份有限公司

ITEM NO	DRAWN BY Vicky	DATE 2020-01-20
DWG NO AB-BDXXFL-BDFR-QEXXX	CHECKED BY Rita	DATE 2020-01-20
CUSTOMER ALTW	APPROVED BY Max	DATE 2020-01-20