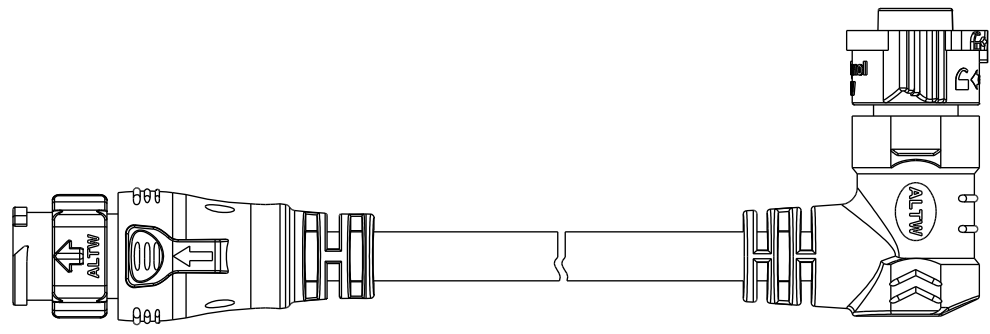
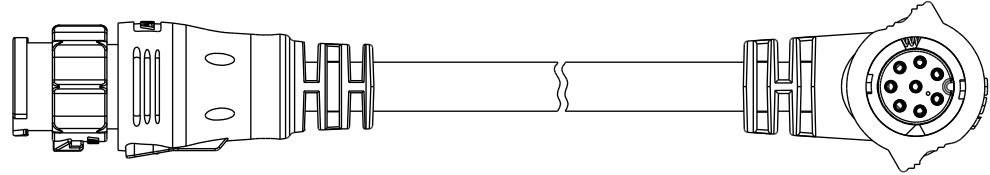
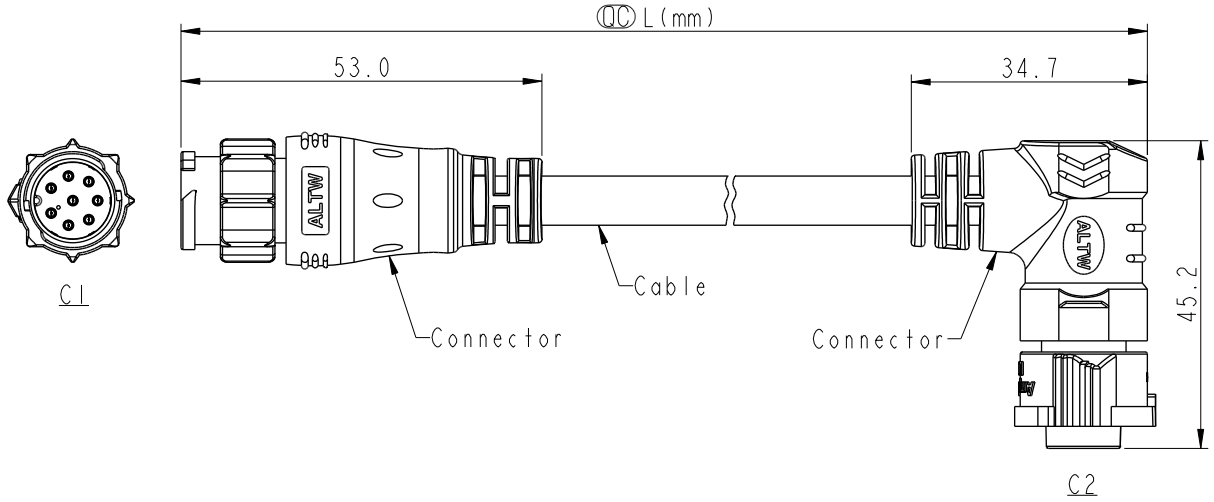


THIS DOCUMENT IS SUBJECT TO CHANGE WITHOUT NOTICE. IT IS CONFIDENTIAL AND A PROPERTY OF AMPHENOL LTW. DISCLOSURE TO THIRD PARTY HAS TO BE AUTHORIZED BY AMPHENOL LTW.

REV.	ECN NO.	DATE	SIGN	DESCRIPTION
A		2020/01/20	Vicky	Initial Released
B	C220473	2022/03/28	Vicky	$\triangle B$ X2
C	C230134	2023/02/10	Ruru	$\triangle C$ X2



- Note:
- * RoHS Compliant
 - * \odot Important dimension
 - * C1
 - $\triangle C$ Waterproof rate: IP68, mated 1m/24h
Housing: Thermoplastic, Black
Pin: Copper alloy, Gold plated
Outer Mold: Thermoplastic, Black
 - * C2
 - $\triangle C$ Waterproof rate: IP68, mated 1m/24h
Housing: Thermoplastic, Black
Pin: Copper alloy, Gold plated
O-Ring: Rubber, Dark gray
Nut: Thermoplastic, Black
Outer Mold: Thermoplastic, Black
 - * Cable: UL21388, PVC Jacket, Black
 - * Cable length tolerance: 0.5M < L \leq 1M: +60/-0 mm
1M < L \leq 3M: +120/-0 mm
3M < L \leq 5M: +160/-0 mm
5M < L \leq 10M: \pm 100 mm
10M < L \leq 20M: \pm 200 mm
20M < L \leq 30M: \pm 300 mm
30M < L \leq 99M: \pm 500 mm

UNIT:mm	\odot	∇	TITLE	ACC, XLOK, B-5A, DB-ENDED MF		
TOLERANCE	$\pm 0.5mm$		SCALE	1:2	SIZE	A4
	REV.	C	WC-REV.	A.5	SHEET	1 OF 2
			\odot	Inspection item		

Amphenol LTW
安費諾亮泰企業股份有限公司

ITEM NO.	DRAWN BY	DATE
	Vicky	2020-01-20
DWG NO.	CHECKED BY	DATE
AB-BDXXML-BDFR-QDXXX	Rita	2020-01-20
CUSTOMER	APPROVED BY	DATE
ALTW	Max	2020-01-20

THIS DOCUMENT IS SUBJECT TO CHANGE WITHOUT NOTICE. IT IS CONFIDENTIAL AND A PROPERTY OF Amphenol LTW. DISCLOSURE TO THIRD PARTY HAS TO BE AUTHORIZED BY Amphenol LTW.

F	<p style="text-align: center;">AB-BD XX ML-BDFR-QD XXX</p> <p>△ XX: No. Of Pin XXX: 0.5~99Meters A05: 0.5 Meter 001: 01 Meter 002: 02 Meters . 099: 99 Meters</p>				<table border="1" style="width: 100%; border-collapse: collapse;"> <tr><td>8P</td><td rowspan="7" style="text-align: center;">PVC</td><td>7.2</td><td rowspan="7" style="text-align: center;">20</td><td>AB-BD08ML-BDFR-QDXXX</td></tr> <tr><td>7P</td><td>6.8</td><td>AB-BD07ML-BDFR-QDXXX</td></tr> <tr><td>6P</td><td>6.8</td><td>AB-BD06ML-BDFR-QDXXX</td></tr> <tr><td>5P</td><td>6.2</td><td>AB-BD05ML-BDFR-QDXXX</td></tr> <tr><td>4P</td><td>6.0</td><td>AB-BD04ML-BDFR-QDXXX</td></tr> <tr><td>3P</td><td>5.5</td><td>AB-BD03ML-BDFR-QDXXX</td></tr> <tr><td>2P</td><td>5.5</td><td>AB-BD02ML-BDFR-QDXXX</td></tr> <tr><td>Contacts</td><td>Cable Jacket</td><td>Cable OD</td><td>AWG</td><td>Item No.</td></tr> </table>	8P	PVC	7.2	20	AB-BD08ML-BDFR-QDXXX	7P	6.8	AB-BD07ML-BDFR-QDXXX	6P	6.8	AB-BD06ML-BDFR-QDXXX	5P	6.2	AB-BD05ML-BDFR-QDXXX	4P	6.0	AB-BD04ML-BDFR-QDXXX	3P	5.5	AB-BD03ML-BDFR-QDXXX	2P	5.5	AB-BD02ML-BDFR-QDXXX	Contacts	Cable Jacket	Cable OD	AWG	Item No.
8P	PVC	7.2	20	AB-BD08ML-BDFR-QDXXX																													
7P		6.8		AB-BD07ML-BDFR-QDXXX																													
6P		6.8		AB-BD06ML-BDFR-QDXXX																													
5P		6.2		AB-BD05ML-BDFR-QDXXX																													
4P		6.0		AB-BD04ML-BDFR-QDXXX																													
3P		5.5		AB-BD03ML-BDFR-QDXXX																													
2P		5.5		AB-BD02ML-BDFR-QDXXX																													
Contacts	Cable Jacket	Cable OD	AWG	Item No.																													

D	<p>Pin Out</p> <table border="1" style="width: 100%; border-collapse: collapse;"> <tr> <td>2 Brown 1 Black</td> <td>3 Red 2 Brown 1 Black</td> <td>4 Orange 3 Red 2 Brown 1 Black</td> <td>5 Yellow 4 Orange 3 Red 2 Brown 1 Black</td> <td>6 Green 5 Yellow 4 Orange 3 Red 2 Brown 1 Black</td> <td>7 Blue 6 Green 5 Yellow 4 Orange 3 Red 2 Brown 1 Black</td> <td>8 Purple 7 Blue 6 Green 5 Yellow 4 Orange 3 Red 2 Brown 1 Black</td> </tr> <tr> <td>Pin #</td> <td>Wire</td> <td>Pin #</td> <td>Wire</td> <td>Pin #</td> <td>Wire</td> <td>Pin #</td> <td>Wire</td> </tr> </table>				2 Brown 1 Black	3 Red 2 Brown 1 Black	4 Orange 3 Red 2 Brown 1 Black	5 Yellow 4 Orange 3 Red 2 Brown 1 Black	6 Green 5 Yellow 4 Orange 3 Red 2 Brown 1 Black	7 Blue 6 Green 5 Yellow 4 Orange 3 Red 2 Brown 1 Black	8 Purple 7 Blue 6 Green 5 Yellow 4 Orange 3 Red 2 Brown 1 Black	Pin #	Wire	Pin #	Wire	Pin #	Wire	Pin #	Wire
2 Brown 1 Black	3 Red 2 Brown 1 Black	4 Orange 3 Red 2 Brown 1 Black	5 Yellow 4 Orange 3 Red 2 Brown 1 Black	6 Green 5 Yellow 4 Orange 3 Red 2 Brown 1 Black	7 Blue 6 Green 5 Yellow 4 Orange 3 Red 2 Brown 1 Black	8 Purple 7 Blue 6 Green 5 Yellow 4 Orange 3 Red 2 Brown 1 Black													
Pin #	Wire	Pin #	Wire	Pin #	Wire	Pin #	Wire												
C																			
B																			

Pin Assignments Front View

UNIT: mm		TITLE ACC, XLOK, B-5A, DB-ENDED MF	<h1>Amphenol LTW</h1>		ITEM NO	DRAWN BY Vicky	DATE 2020-01-20
TOLERANCE ±0.5mm		SCALE 1:2	SIZE A4	SHEET 2 OF 2	DWG NO AB-BDXXML-BDFR-QDXXX	CHECKED BY Rita	DATE 2020-01-20
		REV. C	WC-REV. A.5	Inspection item	CUSTOMER ALTW	APPROVED BY Max	DATE 2020-01-20