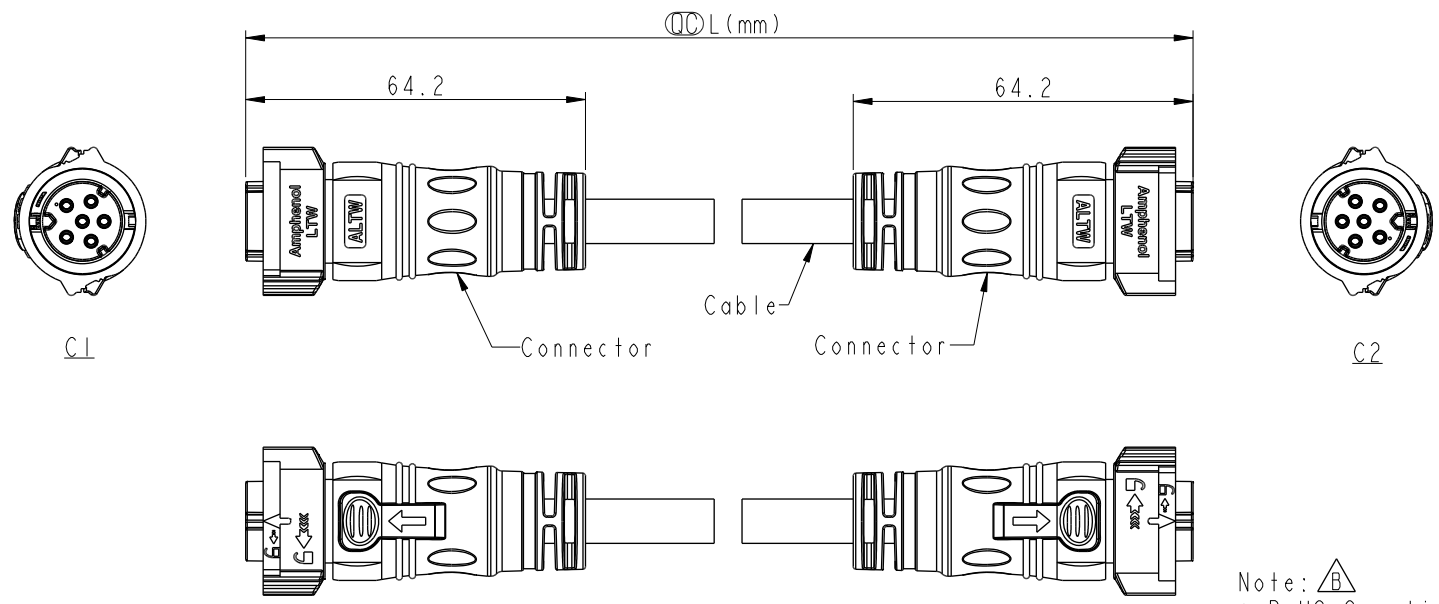


THIS DOCUMENT IS SUBJECT TO CHANGE WITHOUT NOTICE. IT IS CONFIDENTIAL AND A PROPERTY OF AMPHENOL LTW. DISCLOSURE TO THIRD PARTY HAS TO BE AUTHORIZED BY AMPHENOL LTW.

REV.	ECN NO.	DATE	SIGN	DESCRIPTION
A		2020/01/02	Ruru	Initial Released
B	C220455	2022/03/25	Ruru	$\triangle B$ X2
C	C230094	2023/02/03	Vicky	$\triangle C$ X1



Note:  $\triangle B$

- \* RoHS Compliant
- \*  $\odot$  Important dimension
- $\triangle C$  \* Waterproof rate: IP68, mated 1m/24h
- \* Connector

Housing: Thermoplastic, Black  
 Pin: Copper Alloy, Gold Plated  
 O-Ring: Rubber, Gray  
 Nut: Thermoplastic, Black  
 Outer mold: Thermoplastic, Black

- \* Cable: UL21388, PVC Jacket, Black
- \* Cable length tolerance: 0.5M < L  $\leq$  1M: +60/-0 mm  
 1M < L  $\leq$  3M: +120/-0 mm  
 3M < L  $\leq$  5M: +160/-0 mm  
 5M < L  $\leq$  10M:  $\pm$ 100 mm  
 10M < L  $\leq$  20M:  $\pm$ 200 mm  
 20M < L  $\leq$  30M:  $\pm$ 300 mm  
 30M < L  $\leq$  99M:  $\pm$ 500 mm

UNIT: mm		TITLE ACC, XLOK, C-10A, DB-ENDED FF
TOLERANCE $\pm 0.5$ mm	SCALE 1:2	SIZE A4
	REV. C	SHEET 1 OF 2
	WC-REV.	$\odot$ : Inspection item

**Amphenol LTW**  
 安費諾亮泰企業股份有限公司

ITEM NO.	DRAWN BY Ruru	DATE 2020-01-02
DWG NO. AB-CBXXFL-CBFL-QDXXX	CHECKED BY Rita	DATE 2020-01-02
CUSTOMER ALTW	APPROVED BY Max	DATE 2020-01-02

THIS DOCUMENT IS SUBJECT TO CHANGE WITHOUT NOTICE. IT IS CONFIDENTIAL AND A PROPERTY OF Amphenol LTW. DISCLOSURE TO THIRD PARTY HAS TO BE AUTHORIZED BY Amphenol LTW.

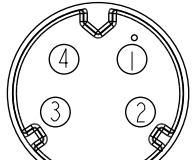
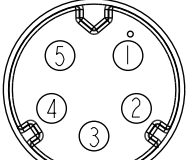
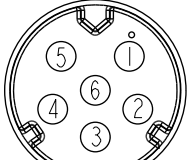
6P	PVC	8.4	16	AB-CB06FL-CBFL-QDXXX
5P		7.6		AB-CB05FL-CBFL-QDXXX
4P		6.8		AB-CB04FL-CBFL-QDXXX
Contacts	Cable Jacket	Cable OD	AWG	Item No.

AB- CB XX F L - CB F L - Q D XXX



XX: No. Of Pin

XXX: 0.5~99Meters  
 A05: 0.5 Meter  
 001: 01 Meter  
 002: 02 Meters  
 :  
 099: 99 Meters

Pin Out	4 Orange 橙	5 Yellow 黃	6 Green 綠
	3 Red 紅	4 Orange 橙	5 Yellow 黃
	2 Brown 棕	3 Red 紅	4 Orange 橙
	1 Black 黑	2 Brown 棕	3 Red 紅
		1 Black 黑	2 Brown 棕
			1 Black 黑
	Pin # Wire	Pin # Wire	Pin # Wire
CI & C2			
	4P	5P	6P
Pin Assignments Front View			

UNIT:mm	
TOLERANCE	± 0.5 mm

TITLE ACC, XLOK, C-10A, DB-ENDED FF			
SCALE 1:2	SIZE A4	SHEET 2 OF 2	
REV. C	WC-REV.	QC: Inspection item	

**Amphenol LTW**  
 安費諾亮泰企業股份有限公司

ITEM NO	DRAWN BY Ruru	DATE 2020-01-02
DWG NO AB-CBXXFL-CBFL-QDXXX	CHECKED BY Rita	DATE 2020-01-02
CUSTOMER ALTW	APPROVED BY Max	DATE 2020-01-02