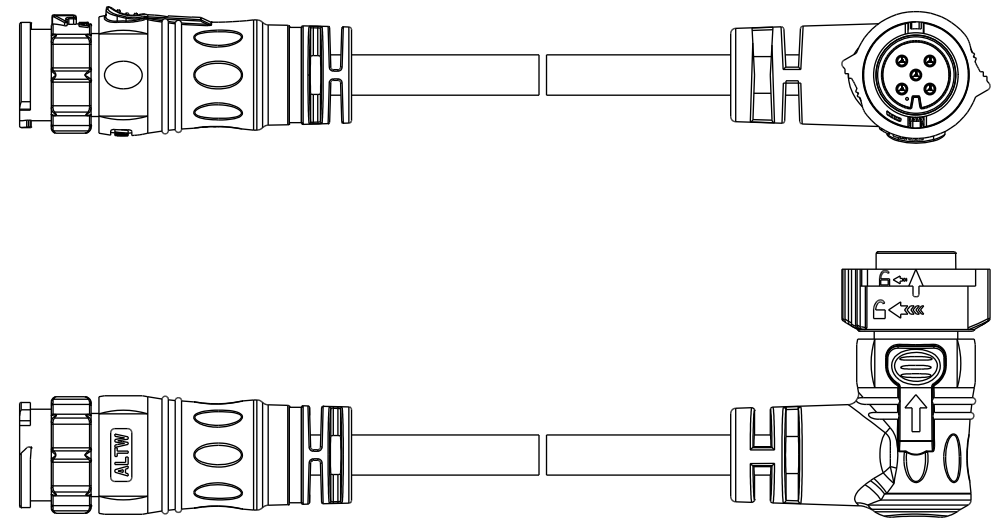
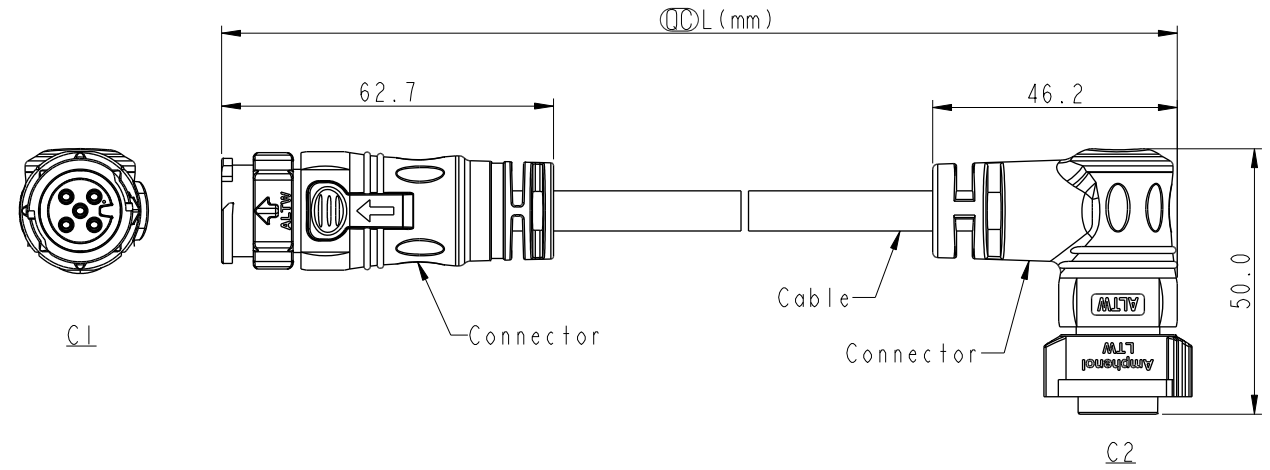


THIS DOCUMENT IS SUBJECT TO CHANGE WITHOUT NOTICE. IT IS CONFIDENTIAL AND A PROPERTY OF AMPHENOL LTW. DISCLOSURE TO THIRD PARTY HAS TO BE AUTHORIZED BY AMPHENOL LTW.

REV.	ECN NO.	DATE	SIGN	DESCRIPTION
A		2020/01/06	Ruru	Initial Released
B	C220455	2022/03/28	Ruru	△B X2
C	C230095	2023/02/03	Vicky	△C X2



Note: △B
 * RoHS Compliant
 * Ⓞ Important dimension
 * C1
 △C Waterproof rate: IP68, mated 1m/24h
 Housing: Thermoplastic, Black
 Pin: Copper Alloy, Gold Plated
 Outer mold: Thermoplastic, Black
 * C2
 △C Waterproof rate: IP68, mated 1m/24h
 Housing: Thermoplastic, Black
 Pin: Copper Alloy, Gold Plated
 O-Ring: Rubber, Gray
 Nut: Thermoplastic, Black
 Outer mold: Thermoplastic, Black
 * Cable: UL21388, PVC Jacket, Black
 * Cable length tolerance: 0.5M < L ≤ 1M: +60/-0 mm
 1M < L ≤ 3M: +120/-0 mm
 3M < L ≤ 5M: +160/-0 mm
 5M < L ≤ 10M: ±100 mm
 10M < L ≤ 20M: ±200 mm
 20M < L ≤ 30M: ±300 mm
 30M < L ≤ 99M: ±500 mm

UNIT:mm		TITLE	ACC, XLOK, C-10A, DB-ENDED MF	
TOLERANCE	±0.5 mm	SCALE	1:2	SIZE A4
		REV.	C	WC-REV.
			Ⓞ: Inspection item	

Amphenol LTW
 安費諾亮泰企業股份有限公司

ITEM NO	DRAWN BY	DATE
	Ruru	2020-01-06
DWG NO	CHECKED BY	DATE
AB-CBXXHL-CBBR-QDXXX	Rita	2020-01-06
CUSTOMER	APPROVED BY	DATE
ALTW	Max	2020-01-06

THIS DOCUMENT IS SUBJECT TO CHANGE WITHOUT NOTICE. IT IS CONFIDENTIAL AND A PROPERTY OF AMPHENOL LTW. DISCLOSURE TO THIRD PARTY HAS TO BE AUTHORIZED BY AMPHENOL LTW.

5P		PVC	7.6	16	AB-CB05HL-CBBR-QDXXX
4P			6.8		AB-CB04HL-CBBR-QDXXX
Contacts	Cable Jacket	Cable OD	AWG	Item No.	

AB- CB XX HL - CB BR - Q D XXX



XX: No. Of Pin

XXX: 0.5~99Meters
 A05: 0.5 Meter
 001: 01 Meter
 002: 02 Meters
 .
 099: 99 Meters

Pin Out	4 Orange 橙	5 Yellow 黃
	3 Red 紅	4 Orange 橙
	2 Brown 棕	3 Red 紅
	1 Black 黑	2 Brown 棕
		1 Black 黑
	Pin # Wire	Pin # Wire
C2		
	4P	5P
C1		
	4P	5P
Pin Assignments Front View		

UNIT:mm	
TOLERANCE	± 0.5 mm

TITLE ACC, XLOK, C-10A, DB-ENDED MF		
SCALE 1:2	SIZE A4	SHEET 2 OF 2
REV. C	WC-REV.	: Inspection item

Amphenol LTW
 安費諾亮泰企業股份有限公司

ITEM NO	DRAWN BY Ruru	DATE 2020-01-06
DWG NO AB-CBXXHL-CBBR-QDXXX	CHECKED BY Rita	DATE 2020-01-06
CUSTOMER ALTW	APPROVED BY Max	DATE 2020-01-06