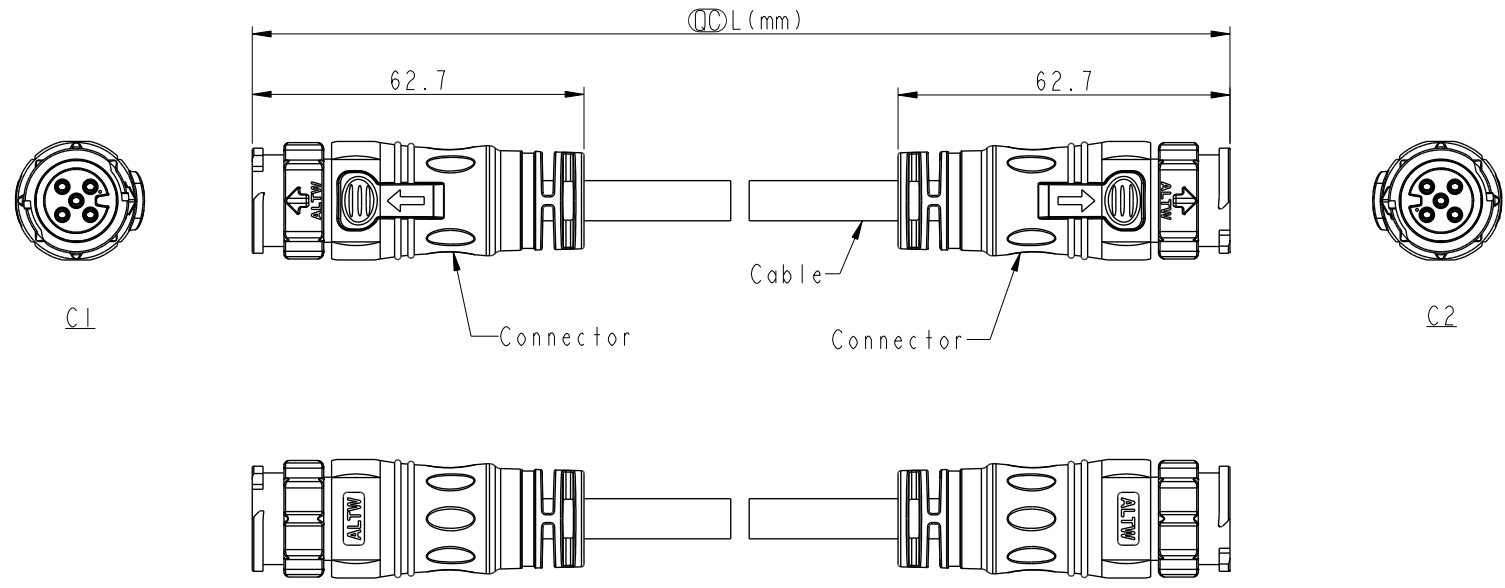


THIS DOCUMENT IS SUBJECT TO CHANGE WITHOUT NOTICE. IT IS CONFIDENTIAL AND A PROPERTY OF AMPHENOL LTW. DISCLOSURE TO THIRD PARTY HAS TO BE AUTHORIZED BY AMPHENOL LTW.

REV.	ECN NO.	DATE	SIGN	DESCRIPTION
A		2020/01/06	Ruru	Initial Released
B	C220455	2022/03/28	Ruru	$\triangle B$ X2
C	C230095	2023/02/03	Vicky	$\triangle C$ X1



Note:  $\triangle B$

- \* RoHS Compliant
- \*  $\circ$  Important dimension
- $\triangle C$  \* Waterproof rate: IP68, mated 1m/24h
- \* Connector
- Housing: Thermoplastic, Black
- Pin: Copper Alloy, Gold Plated
- Outer mold: Thermoplastic, Black
- \* Cable: UL21388, PVC Jacket, Black
- \* Cable length tolerance: 0.5M < L ≤ 1M: +60/-0 mm
- 1M < L ≤ 3M: +120/-0 mm
- 3M < L ≤ 5M: +160/-0 mm
- 5M < L ≤ 10M: ±100 mm
- 10M < L ≤ 20M: ±200 mm
- 20M < L ≤ 30M: ±300 mm
- 30M < L ≤ 99M: ±500 mm

UNIT: mm		
TOLERANCE	$\pm 0.5$ mm	

TITLE ACC, XLOK, C-10A, DB-ENDED MM		
SCALE 1:2	SIZE A4	SHEET 1 OF 2
REV. C	WC-REV.	$\circ$ : Inspection item

**Amphenol LTW**  
安費諾亮泰企業股份有限公司

ITEM NO.	DRAWN BY Ruru	DATE 2020-01-06
DWG NO. AB-CBXXHL-CBHL-QDXXX	CHECKED BY Rita	DATE 2020-01-06
CUSTOMER ALTW	APPROVED BY Max	DATE 2020-01-06

THIS DOCUMENT IS SUBJECT TO CHANGE WITHOUT NOTICE. IT IS CONFIDENTIAL AND A PROPERTY OF Amphenol LTW. DISCLOSURE TO THIRD PARTY HAS TO BE AUTHORIZED BY Amphenol LTW.

5P		PVC	7.6	16	AB-CB05HL-CBHL-QDXXX
4P			6.8		AB-CB04HL-CBHL-QDXXX
Contacts	Cable Jacket	Cable OD	AWG	Item No.	

AB- CB XX H L - CB H L - Q D XXX



XX: No. Of Pin

XXX: 0.5~99Meters  
 A05: 0.5 Meter  
 001: 01 Meter  
 002: 02 Meters  
 ...  
 099: 99 Meters

Pin Out	4	Orange	橙	5	Yellow	黃
	3	Red	紅	4	Orange	橙
	2	Brown	棕	3	Red	紅
	1	Black	黑	2	Brown	棕
				1	Black	黑
	Pin #	Wire		Pin #	Wire	
C1 & C2						
	4P			5P		
Pin Assignments Front View						

UNIT:mm	
TOLERANCE	± 0.5 mm

TITLE ACC, XLOK, C-10A, DB-ENDED MM		
SCALE 1:2	SIZE A4	SHEET 2 OF 2
REV. C	WC-REV.	QC: Inspection item

**Amphenol LTW**  
 安費諾亮泰企業股份有限公司

ITEM NO	DRAWN BY Ruru	DATE 2020-01-06
DWG NO AB-CBXXHL-CBHL-QDXXX	CHECKED BY Rita	DATE 2020-01-06
CUSTOMER ALTW	APPROVED BY Max	DATE 2020-01-06