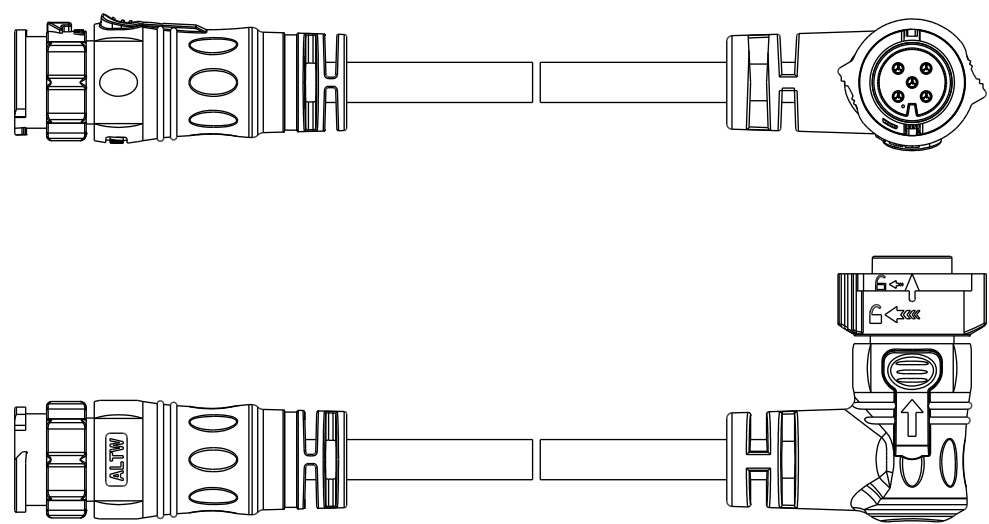
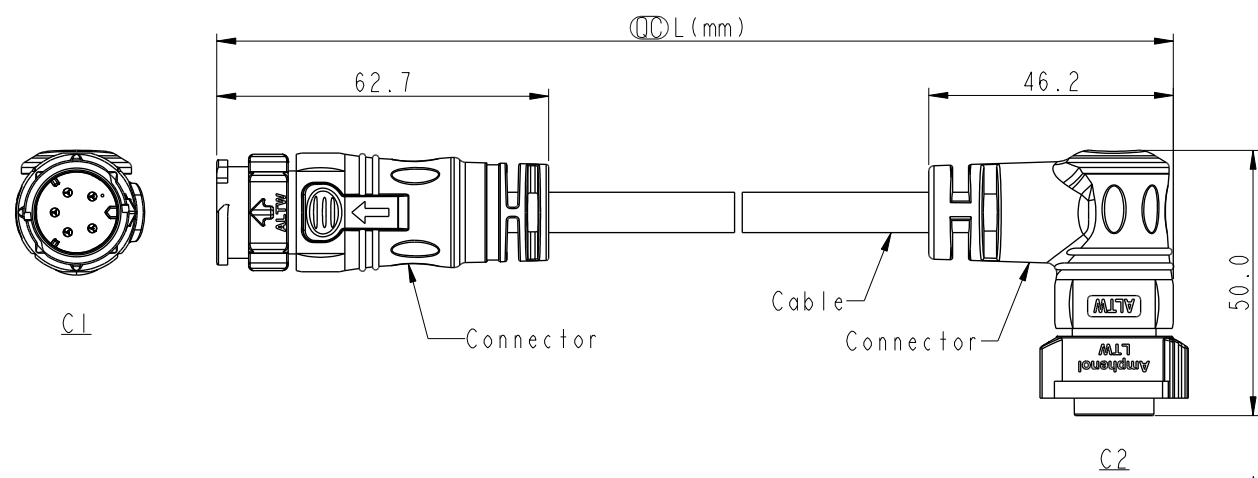


THIS DOCUMENT IS SUBJECT TO CHANGE WITHOUT NOTICE. IT IS CONFIDENTIAL AND A PROPERTY OF AMPHENOL LTW. DISCLOSURE TO THIRD PARTY HAS TO BE AUTHORIZED BY AMPHENOL LTW.

REV.	ECN NO.	DATE	SIGN	DESCRIPTION
A		2020/01/06	Ruru	Initial Released
B	C220460	2022/03/28	Ruru	△B X2
C	C230095	2023/02/06	Vicky	△C X2



- Note: △
- \* RoHS Compliant
  - \* Ⓞ Important dimension
  - \* C1
  - △C Waterproof rate: IP68, mated 1m/24h  
Housing: Thermoplastic, Black  
Pin: Copper Alloy, Gold Plated  
Outer mold: Thermoplastic, Black
  - \* C2
  - △C Waterproof rate: IP68, mated 1m/24h  
Housing: Thermoplastic, Black  
Pin: Copper Alloy, Gold Plated  
O-Ring: Rubber, Gray  
Nut: Thermoplastic, Black  
Outer mold: Thermoplastic, Black
  - \* Cable: UL21388, PVC Jacket, Black
  - \* Cable length tolerance: 0.5M < L ≤ 1M: +60/-0 mm  
1M < L ≤ 3M: +120/-0 mm  
3M < L ≤ 5M: +160/-0 mm  
5M < L ≤ 10M: ±100 mm  
10M < L ≤ 20M: ±200 mm  
20M < L ≤ 30M: ±300 mm  
30M < L ≤ 99M: ±500 mm

UNIT:mm		TITLE	ACC, XLOK, C-10A, DB-ENDED MF	
TOLERANCE	±0.5 mm	SCALE	1:2	SIZE A4
		REV.	C	WC-REV.
				Ⓞ: Inspection item
		SHEET	1	OF 2

**Amphenol LTW**  
安費諾亮泰企業股份有限公司

ITEM NO	DRAWN BY	DATE
	Ruru	2020-01-06
DWG NO	CHECKED BY	DATE
AB-CBXXML-CBBR-QDXXX	Rita	2020-01-06
CUSTOMER	APPROVED BY	DATE
ALTW	Max	2020-01-06

THIS DOCUMENT IS SUBJECT TO CHANGE WITHOUT NOTICE. IT IS CONFIDENTIAL AND A PROPERTY OF Amphenol LTW. DISCLOSURE TO THIRD PARTY HAS TO BE AUTHORIZED BY Amphenol LTW.

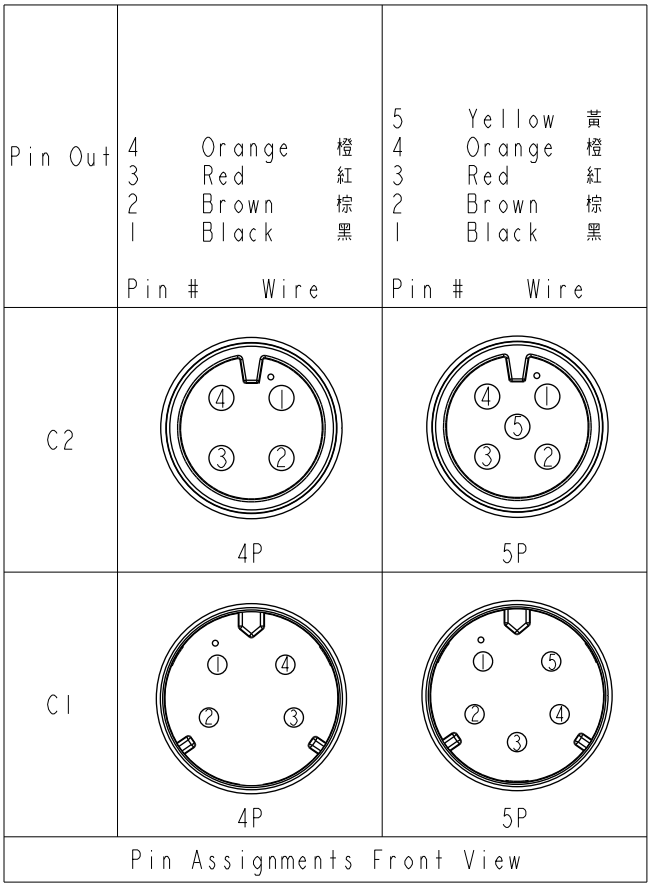
5P		PVC	7.6	16	AB-CB05ML-CBBR-QDXXX
4P			6.8		AB-CB04ML-CBBR-QDXXX
Contacts	Cable Jacket	Cable OD	AWG	Item No.	

AB- CB XX M L - CB B R - Q D XXX



XX: No. Of Pin

XXX: 0.5~99Meters  
 A05: 0.5 Meter  
 001: 01 Meter  
 002: 02 Meters  
 :  
 099: 99 Meters



UNIT:mm	
TOLERANCE	± 0.5 mm

TITLE ACC, XLOK, C-10A, DB-ENDED MF		
SCALE 1:2	SIZE A4	SHEET 2 OF 2
REV. C	WC-REV.	: Inspection item

**Amphenol LTW**  
 安費諾亮泰企業股份有限公司

ITEM NO	DRAWN BY Ruru	DATE 2020-01-06
DWG NO AB-CBXXML-CBBR-QDXXX	CHECKED BY Rita	DATE 2020-01-06
CUSTOMER ALTW	APPROVED BY Max	DATE 2020-01-06