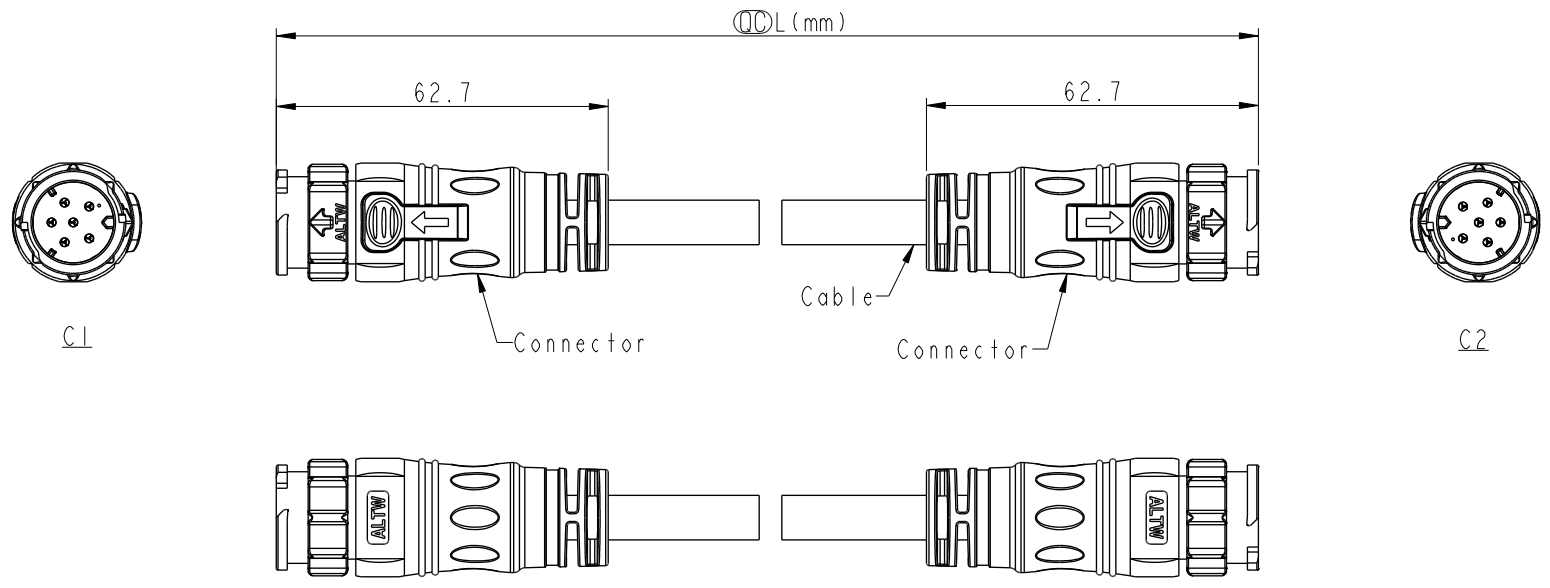


THIS DOCUMENT IS SUBJECT TO CHANGE WITHOUT NOTICE. IT IS CONFIDENTIAL AND A PROPERTY OF Amphenol LTW. DISCLOSURE TO THIRD PARTY HAS TO BE AUTHORIZED BY Amphenol LTW.

REV.	ECN NO.	DATE	SIGN	DESCRIPTION
A		2020/01/02	Ruru	Initial Released
B	C220460	2022/03/29	Ruru	$\triangle B$ X2
C	C230095	2023/02/06	Vicky	$\triangle C$ X1



- Note: $\triangle B$
- * RoHS Compliant
 - * $\text{\textcircled{C}}$ Important dimension
 - $\triangle C$ * Waterproof rate: IP68, mated 1m/24h
 - * Connector
 - Housing: Thermoplastic, Black
 - Pin: Copper Alloy, Gold Plated
 - Outer mold: Thermoplastic, Black
 - * Cable: UL21388, PVC Jacket, Black
 - * Cable length tolerance: $0.5M < L \leq 1M$: +60/-0 mm
 - $1M < L \leq 3M$: +120/-0 mm
 - $3M < L \leq 5M$: +160/-0 mm
 - $5M < L \leq 10M$: ± 100 mm
 - $10M < L \leq 20M$: ± 200 mm
 - $20M < L \leq 30M$: ± 300 mm
 - $30M < L \leq 99M$: ± 500 mm

UNIT:mm		TITLE	ACC, XLOK, C-10A, DB-ENDED MM		
TOLERANCE	± 0.5 mm	SCALE	1:2	SIZE	A4
		SHEET	1	OF	2
REV.	C	WC-REV.		$\text{\textcircled{C}}$: Inspection item	

Amphenol LTW
安費諾亮泰企業股份有限公司

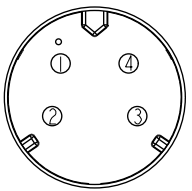
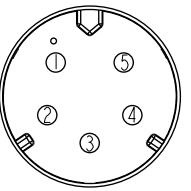
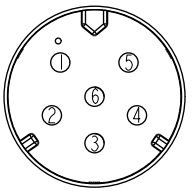
ITEM NO	DRAWN BY	DATE
	Ruru	2020-01-02
DWG NO	CHECKED BY	DATE
AB-CBXXML-CBML-QDXXX	Rita	2020-01-02
CUSTOMER	APPROVED BY	DATE
ALTW	Max	2020-01-02


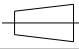
THIS DOCUMENT IS SUBJECT TO CHANGE WITHOUT NOTICE. IT IS CONFIDENTIAL AND A PROPERTY OF Amphenol LTW. DISCLOSURE TO THIRD PARTY HAS TO BE AUTHORIZED BY Amphenol LTW.

6P	PVC	8.4	16	AB-CB06ML-CBML-QDXXX
5P		7.6		AB-CB05ML-CBML-QDXXX
4P		6.8		AB-CB04ML-CBML-QDXXX
Contacts	Cable Jacket	Cable OD	AWG	Item No.

B
AB- CB XX M L - CB M L - Q D XXX

XX: No. Of Pin | | XXX: 0.5~99Meters
| | A05: 0.5 Meter
| | 001: 01 Meter
| | 002: 02 Meters
| | :
| | 099: 99 Meters

Pin Out	4	Orange	橙	5	Yellow	黃	6	Green	綠
	3	Red	紅	4	Orange	橙	5	Yellow	黃
	2	Brown	棕	3	Red	紅	4	Orange	橙
	1	Black	黑	2	Brown	棕	3	Red	紅
				1	Black	黑	2	Brown	棕
							1	Black	黑
	Pin #	Wire		Pin #	Wire		Pin #	Wire	
C1 & C2									
	4P			5P			6P		
Pin Assignments Front View									

UNIT:mm		TITLE	ACC, XLOK, C-10A, DB-ENDED	
TOLERANCE			MM	
± 0.5 mm		SCALE	1:2	SIZE A4
		REV.	C	WC-REV.
			SHEET 2 OF 2	
			QC: Inspection item	

Amphenol LTW
 安費諾亮泰企業股份有限公司

ITEM NO	DRAWN BY	DATE
	Ruru	2020-01-02
DWG NO	CHECKED BY	DATE
AB-CBXXML-CBML-QDXXX	Rita	2020-01-02
CUSTOMER	APPROVED BY	DATE
ALTW	Max	2020-01-02