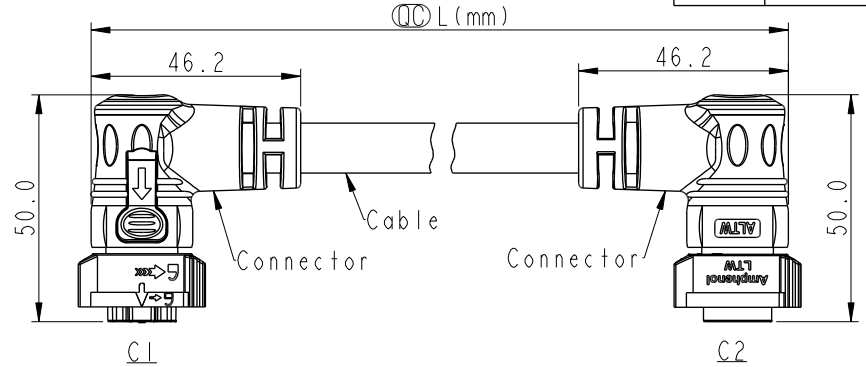


THIS DOCUMENT IS SUBJECT TO CHANGE WITHOUT NOTICE. IT IS CONFIDENTIAL AND A PROPERTY OF Amphenol LTW. DISCLOSURE TO THIRD PARTY HAS TO BE AUTHORIZED BY Amphenol LTW.

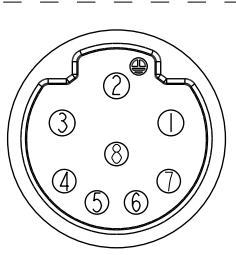
REV.	ECN NO.	DATE	SIGN	DESCRIPTION
A		2020/02/03	Vicky	Initial Released
B	C220642	2022/04/29	Ruru	\triangle_B X2
C	C230094	2023/02/02	Vicky	\triangle_C X2



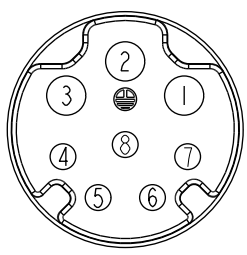
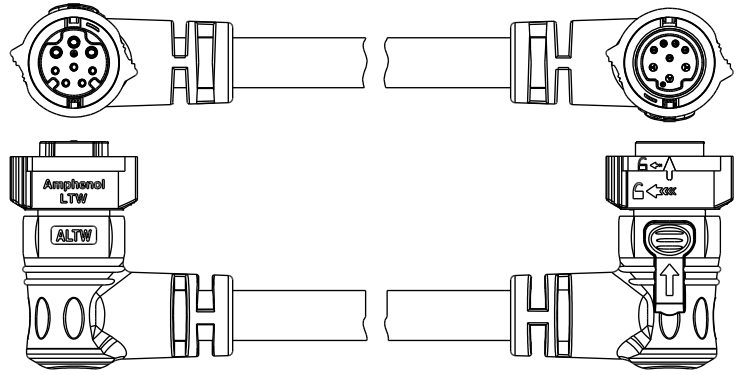
AB-CBD XX FR-CBDBR-QF XXX

\triangle_B XX: No. Of Pin

XXX: 0.5-99Meters
A05: 0.5 Meter
001: 01 Meter
002: 02 Meters
:
099: 99 Meters



C2
Pin Assignments
Front View



C1
Pin Assignments
Front View

8	Drain (26AWG)	地線	
7	Blue (26AWG)	藍	Twist 對線
6	Red (26AWG)	紅	
5	Green (26AWG)	綠	Twist 對線
4	White (26AWG)	白	
3	Black (16AWG)	黑	
2	Green (16AWG)	綠	
1	White (16AWG)	白	
C1 & C2	Wire Color		
Pin Out			

Note: \triangle_B

- * RoHS Compliant
- * \odot Important dimension
- * C1
- \triangle_C Waterproof rate: IP68, mated 1m/24h
Housing: Thermoplastic, Black
Pin: Copper Alloy, Gold Plated
O-Ring: Rubber, Gray
Nut: Thermoplastic, Black
Outer mold: Thermoplastic, Black
- * C2
- \triangle_C Waterproof rate: IP68, mated 1m/24h
Housing: Thermoplastic, Black
Pin: Copper Alloy, Gold Plated
O-Ring: Rubber, Gray
Nut: Thermoplastic, Black
Outer mold: Thermoplastic, Black
- * Cable: UL21996, 16#*3C+(26#*2P+D+AL/MY)+AL/MY, OD=11.0mm, PVC Jacket, Black
- * Cable length tolerance: 0.5M < L ≤ 1M: +60/-0 mm
1M < L ≤ 3M: +120/-0 mm
3M < L ≤ 5M: +160/-0 mm
5M < L ≤ 10M: ±100 mm
10M < L ≤ 20M: ±200 mm
20M < L ≤ 30M: ±300 mm
30M < L ≤ 99M: ±500 mm

UNIT:mm		TITLE	ACC, XLOK, C-10A+5A, DB-ENDED FF	Amphenol LTW	ITEM NO	AB-CBDXXFR-CBDBR-QFXXX	DRAWN BY	Vicky	DATE	2020-02-03			
TOLERANCE	±0.5mm	SCALE	33:100	SIZE	A4	SHEET	1	OF	1	CHECKED BY	Rita	DATE	2020-02-03
REV.	C	WC-REV.	A.5	\odot Inspection item	安費諾亮泰企業股份有限公司	CUSTOMER	ALTW	APPROVED BY	Max	DATE	2020-02-03		