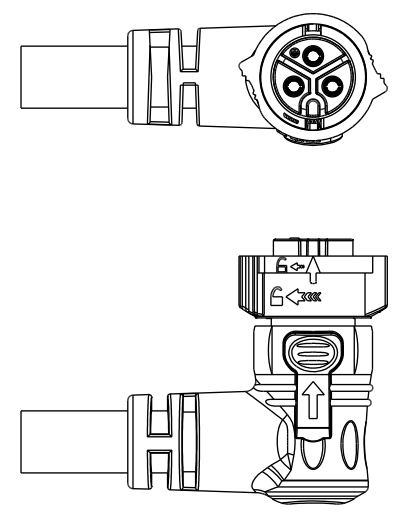
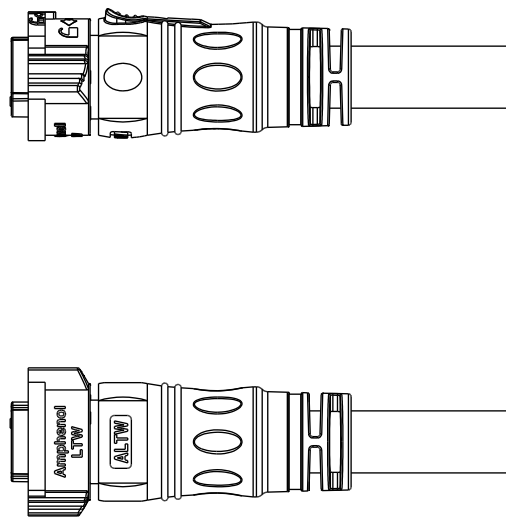
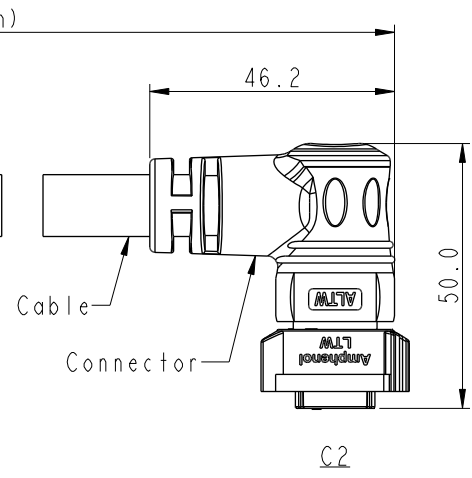
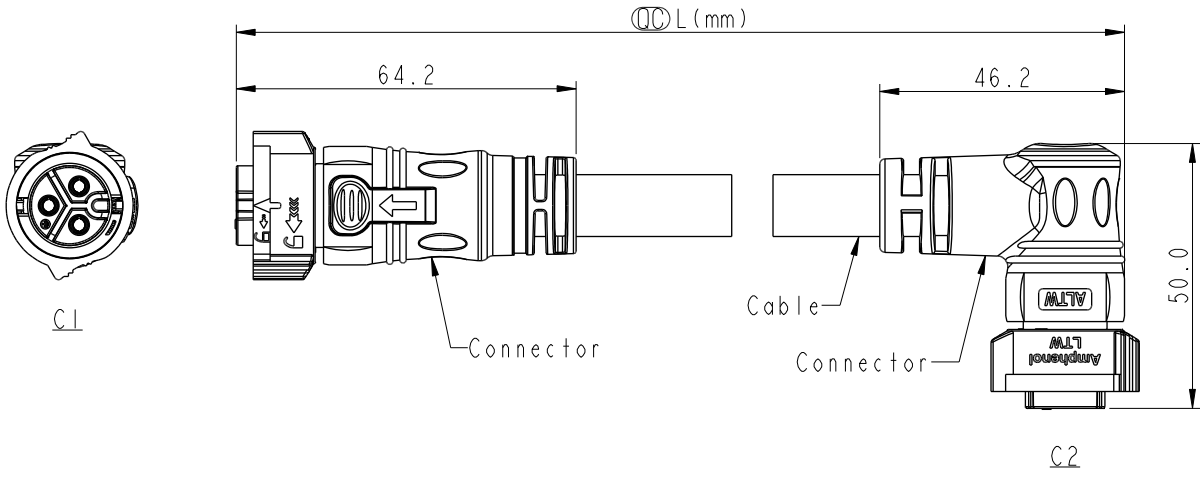


THIS DOCUMENT IS SUBJECT TO CHANGE WITHOUT NOTICE. IT IS CONFIDENTIAL AND A PROPERTY OF Amphenol LTW. DISCLOSURE TO THIRD PARTY HAS TO BE AUTHORIZED BY Amphenol LTW.

REV.	ECN NO.	DATE	SIGN	DESCRIPTION
A		2020/01/07	Ruru	Initial Released
B	C220461	2022/03/29	Ruru	$\triangle B$ X2
C	C230116	2023/02/06	Vicky	$\triangle C$ X2



Note: $\triangle B$

- * RoHS Compliant
- * $\circ L$ Important dimension
- * C1
- $\triangle C$ Waterproof rate: IP68, mated 1m/24h
- Housing: Thermoplastic, Black
- Pin: Copper Alloy, Gold Plated
- O-Ring: Rubber, Gray
- Nut: Thermoplastic, Black
- Outer mold: Thermoplastic, Black
- * C2
- $\triangle C$ Waterproof rate: IP68, mated 1m/24h
- Housing: Thermoplastic, Black
- Pin: Copper Alloy, Gold Plated
- O-Ring: Rubber, Gray
- Nut: Thermoplastic, Black
- Outer mold: Thermoplastic, Black
- * Cable: SJTW, PVC Jacket, Black
- * Cable length tolerance: 0.5M < L \leq 1M: +60/-0 mm
- 1M < L \leq 3M: +120/-0 mm
- 3M < L \leq 5M: +160/-0 mm
- 5M < L \leq 10M: \pm 100 mm
- 10M < L \leq 20M: \pm 200 mm
- 20M < L \leq 30M: \pm 300 mm
- 30M < L \leq 99M: \pm 500 mm

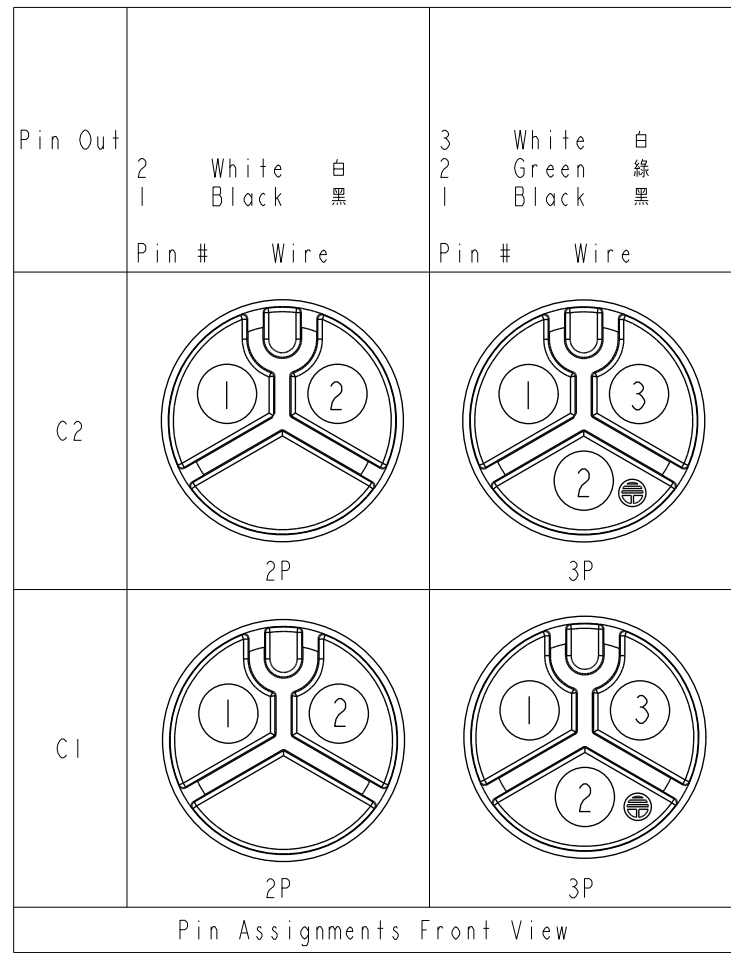
UNIT: mm		TITLE	ACC, XLOK, C-20A, DB-ENDED FF		
TOLERANCE	± 0.5 mm	SCALE	1:2	SIZE	A4
		REV.	C	WC-REV.	
			$\circ L$: Inspection item		

Amphenol LTW
安費諾亮泰企業股份有限公司

ITEM NO.	DRAWN BY	DATE
	Ruru	2020-01-07
DWG NO.	CHECKED BY	DATE
AB-CCXXFL-CCFR-QEXXX	Rita	2020-01-07
CUSTOMER	APPROVED BY	DATE
ALTW	Max	2020-01-07

THIS DOCUMENT IS SUBJECT TO CHANGE WITHOUT NOTICE. IT IS CONFIDENTIAL AND A PROPERTY OF AMPHENOL LTW. DISCLOSURE TO THIRD PARTY HAS TO BE AUTHORIZED BY AMPHENOL LTW.

3P		PVC	11.7	12	AB-CC03FL-CCFR-QEXXX
2P			10.7		AB-CC02FL-CCFR-QEXXX
Contacts	Cable Jacket	Cable OD	AWG	Item No.	



UNIT: mm

TOLERANCE
± 0.5 mm

TITLE
ACC, XLOK, C-20A, DB-ENDED
FF

SCALE 1:2 SIZE A4 SHEET 2 OF 2

REV. C WC-REV. : Inspection item

Amphenol LTW

安費諾亮泰企業股份有限公司

ITEM NO	DRAWN BY	DATE
DWG NO AB-CCXXFL-CCFR-QEXXX	Ruru	2020-01-07
CUSTOMER ALTW	CHECKED BY Rita	DATE 2020-01-07
	APPROVED BY Max	DATE 2020-01-07