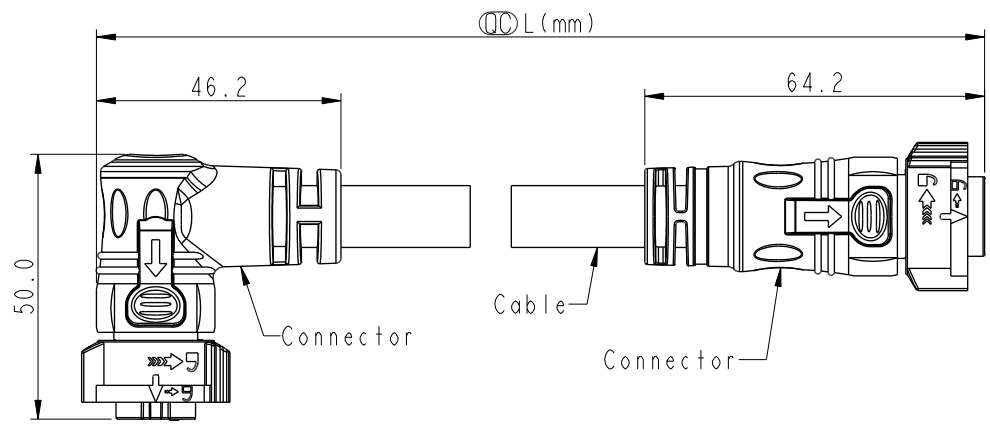


THIS DOCUMENT IS SUBJECT TO CHANGE WITHOUT NOTICE. IT IS CONFIDENTIAL AND A PROPERTY OF Amphenol LTW. DISCLOSURE TO THIRD PARTY HAS TO BE AUTHORIZED BY Amphenol LTW.

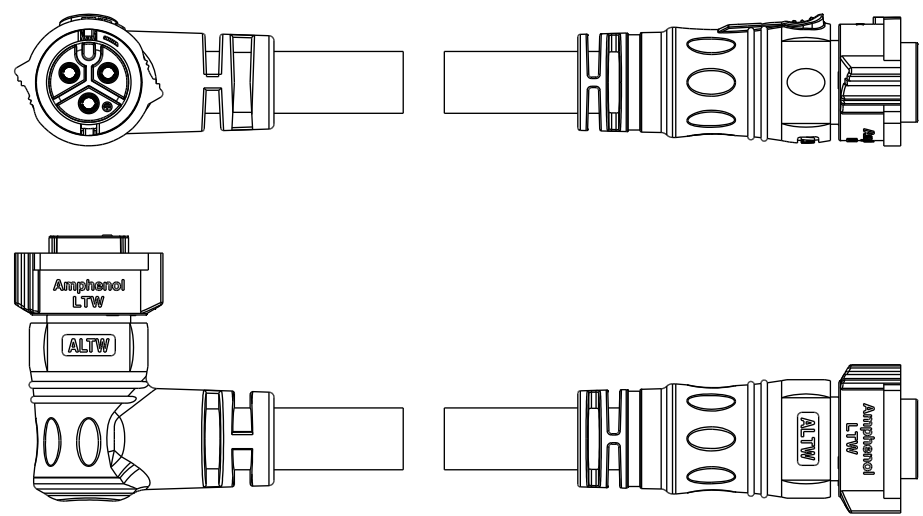
REV.	ECN NO.	DATE	SIGN	DESCRIPTION
A		2020/01/07	Ruru	Initial Released
B	C220461	2022/03/29	Ruru	\triangle_B X2
C	C230116	2023/02/06	Vicky	\triangle_C X2



C2

- Note: \triangle_B
- * RoHS Compliant
 - * $\circ\circ$ Important dimension
 - * C1
 - \triangle_C Waterproof rate: IP68, mated 1m/24h
 - Housing: Thermoplastic, Black
 - Pin: Copper Alloy, Gold Plated
 - O-Ring: Rubber, Gray
 - Nut: Thermoplastic, Black
 - Outer mold: Thermoplastic, Black
 - * C2
 - \triangle_C Waterproof rate: IP68, mated 1m/24h
 - Housing: Thermoplastic, Black
 - Pin: Copper Alloy, Gold Plated
 - O-Ring: Rubber, Gray
 - Nut: Thermoplastic, Black
 - Outer mold: Thermoplastic, Black
 - * Cable: SJTW, PVC Jacket, Black
 - * Cable length tolerance:

0.5M < L ≤ 1M:	+60/-0 mm
1M < L ≤ 3M:	+120/-0 mm
3M < L ≤ 5M:	+160/-0 mm
5M < L ≤ 10M:	±100 mm
10M < L ≤ 20M:	±200 mm
20M < L ≤ 30M:	±300 mm
30M < L ≤ 99M:	±500 mm



UNIT: mm		
TOLERANCE	±0.5 mm	

TITLE ACC, XLOK, C-20A, DB-ENDED FF		
SCALE 1:2	SIZE A4	SHEET 1 OF 2
REV. C	WC-REV.	$\circ\circ$: Inspection item


Amphenol LTW
安費諾亮泰企業股份有限公司


ITEM NO.	DRAWN BY Ruru	DATE 2020-01-07
DWG NO. AB-CCXXFR-CCBL-QEXXX	CHECKED BY Rita	DATE 2020-01-07
CUSTOMER ALTW	APPROVED BY Max	DATE 2020-01-07

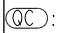
THIS DOCUMENT IS SUBJECT TO CHANGE WITHOUT NOTICE. IT IS CONFIDENTIAL AND A PROPERTY OF AMPHENOL LTW. DISCLOSURE TO THIRD PARTY HAS TO BE AUTHORIZED BY AMPHENOL LTW.

3P		PVC	11.7	12	AB-CC03FR-CCBL-QEXXX
2P			10.7		AB-CC02FR-CCBL-QEXXX
Contacts	Cable Jacket	Cable OD	AWG	Item No.	

Pin Out	2 1	White Black	白 黑	3 2 1	White Green Black	白 綠 黑
	Pin #	Wire		Pin #	Wire	
C2						
		2P			3P	
C1						
		2P			3P	
Pin Assignments Front View						


 AB- CC XX FR - CC BL - Q E XXX
 XX: No. Of Pin _____
 XXX: 0.5~99Meters
 A05: 0.5 Meter
 001: 01 Meter
 002: 02 Meters
 :
 099: 99 Meters

UNIT:mm 
 TOLERANCE
 ± 0.5 mm

TITLE ACC, XLOK, C-20A, DB-ENDED
FF
 SCALE 1:2 SIZE A4 SHEET 2 OF 2
 REV. C WC-REV. :Inspection item

Amphenol LTW
 安費諾亮泰企業股份有限公司

ITEM NO	DRAWN BY	DATE
DWG NO AB-CCXXFR-CCBL-QEXXX	Ruru	2020-01-07
CUSTOMER	CHECKED BY	DATE
ALTW	Rita	2020-01-07
	APPROVED BY	DATE
	Max	2020-01-07