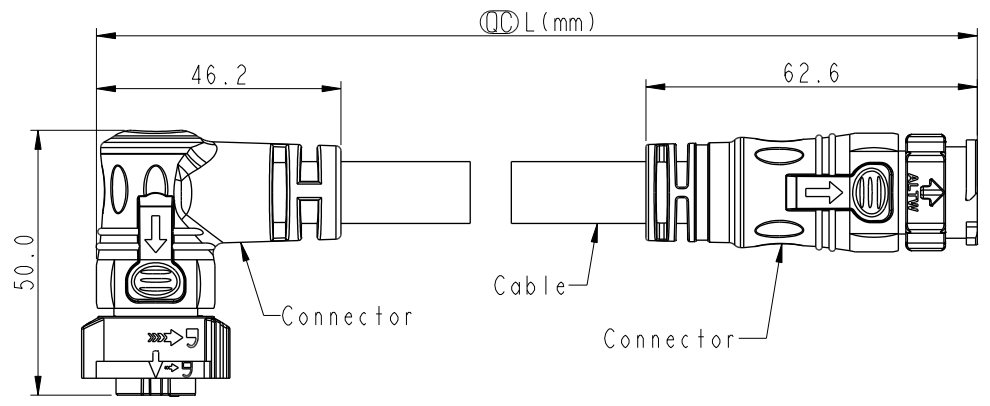
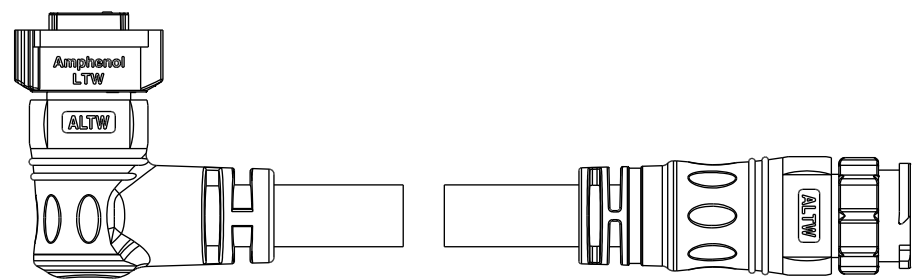
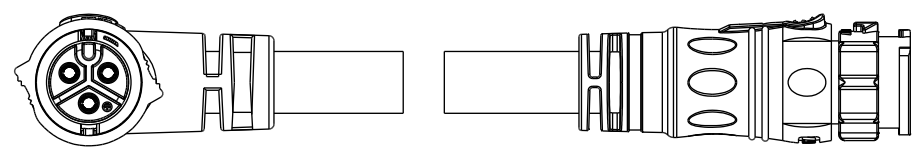


THIS DOCUMENT IS SUBJECT TO CHANGE WITHOUT NOTICE. IT IS CONFIDENTIAL AND A PROPERTY OF AMPHENOL LTW. DISCLOSURE TO THIRD PARTY HAS TO BE AUTHORIZED BY AMPHENOL LTW.

REV.	ECN NO.	DATE	SIGN	DESCRIPTION
A		2020/01/07	Ruru	Initial Released
B	C220461	2022/03/29	Ruru	$\triangle B$ X2
C	C230116	2023/02/06	Vicky	$\triangle C$ X2



C2



- Note: $\triangle B$
- * RoHS Compliant
 - * \odot Important dimension
 - * C1
 - $\triangle C$ Waterproof rate: IP68, mated 1m/24h
 - Housing: Thermoplastic, Black
 - Pin: Copper Alloy, Gold Plated
 - O-Ring: Rubber, Gray
 - Nut: Thermoplastic, Black
 - Outer mold: Thermoplastic, Black
 - * C2
 - $\triangle C$ Waterproof rate: IP68, mated 1m/24h
 - Housing: Thermoplastic, Black
 - Pin: Copper Alloy, Gold Plated
 - Outer mold: Thermoplastic, Black
 - * Cable: SJTW, PVC Jacket, Black
 - * Cable length tolerance: $0.5M < L \leq 1M: +60/-0$ mm
 - $1M < L \leq 3M: +120/-0$ mm
 - $3M < L \leq 5M: +160/-0$ mm
 - $5M < L \leq 10M: \pm 100$ mm
 - $10M < L \leq 20M: \pm 200$ mm
 - $20M < L \leq 30M: \pm 300$ mm
 - $30M < L \leq 99M: \pm 500$ mm

UNIT: mm		
TOLERANCE	± 0.5 mm	

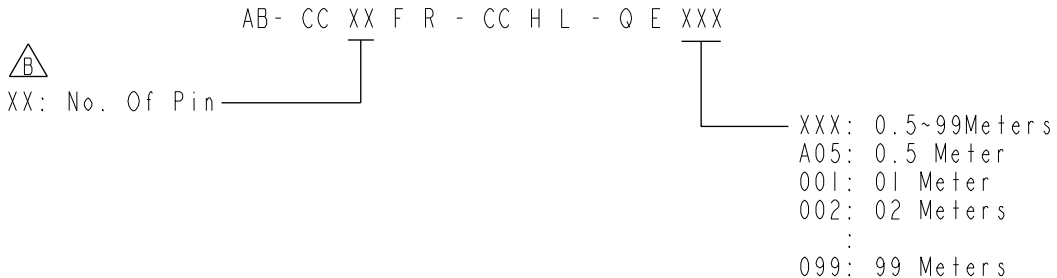
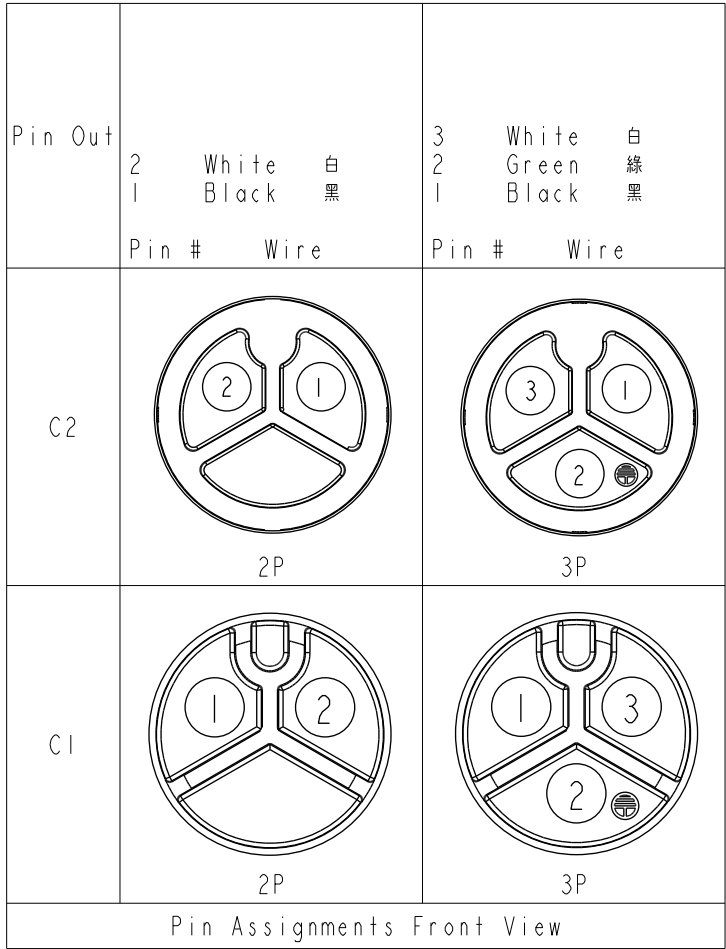
TITLE ACC, XLOK, C-20A, DB-ENDED FM		
SCALE 1:2	SIZE A4	SHEET 1 OF 2
REV. C	WC-REV.	\odot : Inspection item

Amphenol LTW
安費諾亮泰企業股份有限公司

ITEM NO.	DRAWN BY Ruru	DATE 2020-01-07
DWG NO. AB-CCXXFR-CCHL-QEXXX	CHECKED BY Rita	DATE 2020-01-07
CUSTOMER ALTW	APPROVED BY Max	DATE 2020-01-07

	1	2	3	4	5	6	7	8	THIS DOCUMENT IS SUBJECT TO CHANGE WITHOUT NOTICE. IT IS CONFIDENTIAL AND A PROPERTY OF Amphenol LTW. DISCLOSURE TO THIRD PARTY HAS TO BE AUTHORIZED BY Amphenol LTW.		
F						3P	PVC	11.7		12	AB-CC03FR-CCHL-QEXXX
						2P		10.7			AB-CC02FR-CCHL-QEXXX
						Contacts	Cable Jacket	Cable OD		AWG	Item No.
E											
D											
C											
B											
A											

3P	PVC	11.7	12	AB-CC03FR-CCHL-QEXXX
2P		10.7		AB-CC02FR-CCHL-QEXXX
Contacts	Cable Jacket	Cable OD	AWG	Item No.



UNIT:mm		
TOLERANCE	± 0.5 mm	

TITLE ACC, XLOK, C-20A, DB-ENDED FM		
SCALE 1:2	SIZE A4	SHEET 2 OF 2
REV. C	WC-REV.	QC: Inspection item

Amphenol LTW
安費諾亮泰企業股份有限公司

ITEM NO	DRAWN BY Ruru	DATE 2020-01-07
DWG NO AB-CCXXFR-CCHL-QEXXX	CHECKED BY Rita	DATE 2020-01-07
CUSTOMER ALTW	APPROVED BY Max	DATE 2020-01-07