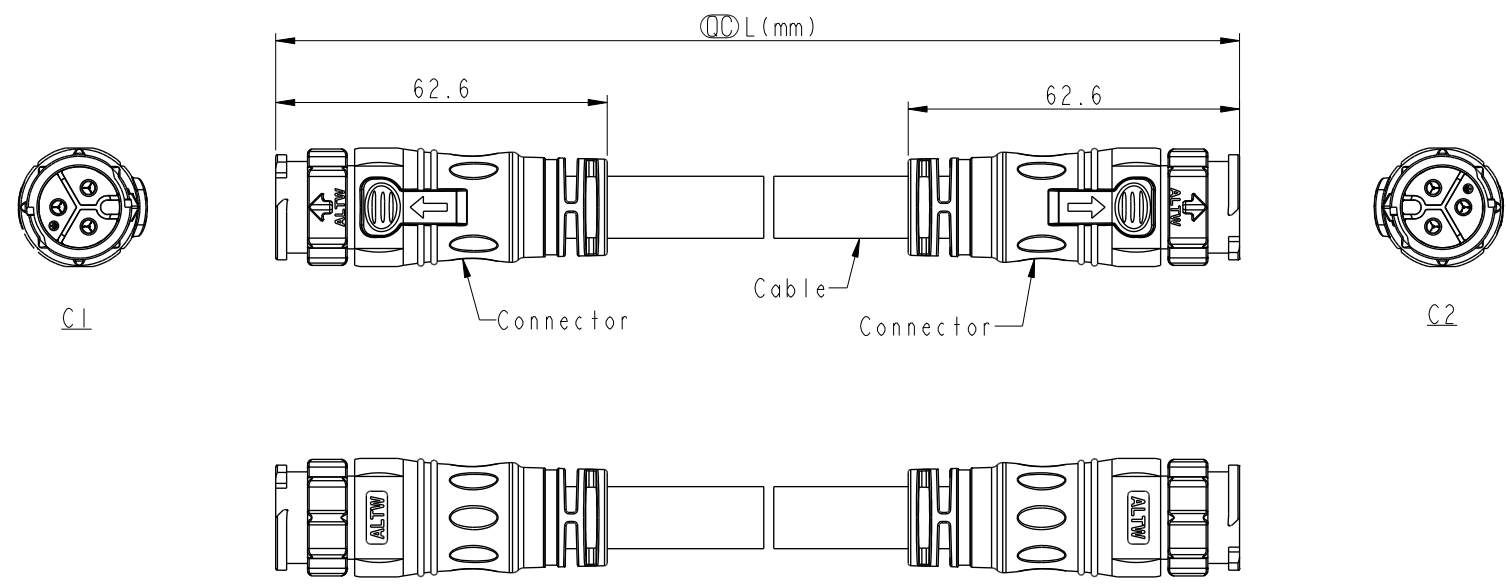


THIS DOCUMENT IS SUBJECT TO CHANGE WITHOUT NOTICE. IT IS CONFIDENTIAL AND A PROPERTY OF AMPHENOL LTW. DISCLOSURE TO THIRD PARTY HAS TO BE AUTHORIZED BY AMPHENOL LTW.

REV.	ECN NO.	DATE	SIGN	DESCRIPTION
A		2020/01/07	Ruru	Initial Released
B	C220464	2022/04/07	Ruru	$\triangle B$ X2
C	C230116	2023/02/06	Vicky	$\triangle C$ X1



Note: $\triangle B$

- * RoHS Compliant
- * \textcircled{CC} Important dimension
- $\triangle C$ * Waterproof rate: IP68, mated 1m/24h
- * Connector
- Housing: Thermoplastic, Black
- Pin: Copper Alloy, Gold Plated
- Outer mold: Thermoplastic, Black
- * Cable: SJTW, PVC Jacket, Black
- * Cable length tolerance: 0.5M < L \leq 1M: +60/-0 mm
- 1M < L \leq 3M: +120/-0 mm
- 3M < L \leq 5M: +160/-0 mm
- 5M < L \leq 10M: \pm 100 mm
- 10M < L \leq 20M: \pm 200 mm
- 20M < L \leq 30M: \pm 300 mm
- 30M < L \leq 99M: \pm 500 mm

UNIT:mm	
TOLERANCE	± 0.5 mm

TITLE ACC, XLOK, C-20A, DB-ENDED MM			
SCALE 1:2	SIZE A4	SHEET 1 OF 2	
REV. C	WC-REV.	\textcircled{CC} : Inspection item	

Amphenol LTW
安費諾亮泰企業股份有限公司

ITEM NO	DRAWN BY Ruru	DATE 2020-01-07
DWG NO AB-CCXXML-CCML-QEXXX	CHECKED BY Rita	DATE 2020-01-07
CUSTOMER ALTW	APPROVED BY Max	DATE 2020-01-07

THIS DOCUMENT IS SUBJECT TO CHANGE WITHOUT NOTICE. IT IS CONFIDENTIAL AND A PROPERTY OF Amphenol LTW. DISCLOSURE TO THIRD PARTY HAS TO BE AUTHORIZED BY Amphenol LTW.

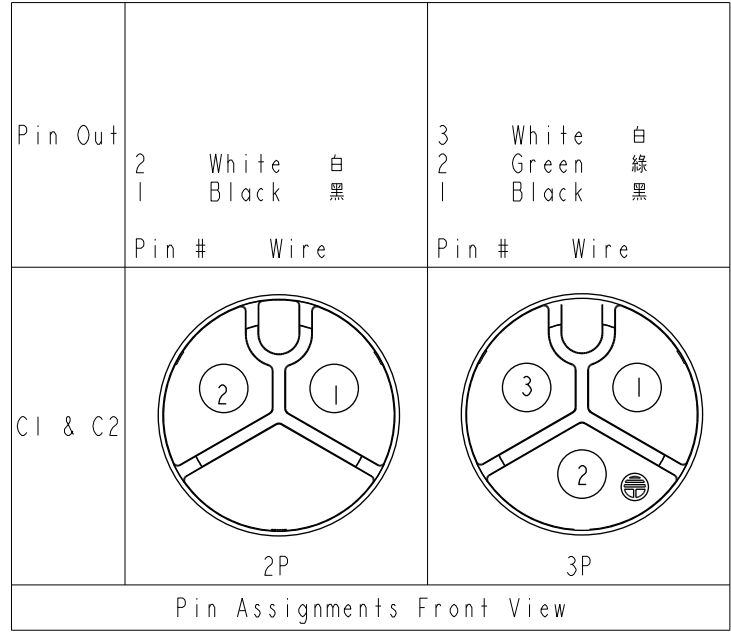
3P		PVC	11.7	12	AB-CC03ML-CCML-QEXXX
2P			10.7		AB-CC02ML-CCML-QEXXX
Contacts	Cable Jacket	Cable OD	AWG	Item No.	

AB- CC XX M L - CC M L - Q E XXX

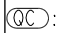


XX: No. Of Pin

XXX: 0.5~99Meters
 A05: 0.5 Meter
 001: 01 Meter
 002: 02 Meters
 :
 099: 99 Meters



UNIT:mm	
TOLERANCE	
± 0.5 mm	

TITLE ACC, XLOK, C-20A, DB-ENDED MM		
SCALE 1:2	SIZE A4	SHEET 2 OF 2
REV. C	WC-REV.	 : Inspection item

Amphenol LTW
 安費諾亮泰企業股份有限公司

ITEM NO	DRAWN BY Ruru	DATE 2020-01-07
DWG NO AB-CCXXML-CCML-QEXXX	CHECKED BY Rita	DATE 2020-01-07
CUSTOMER ALTW	APPROVED BY Max	DATE 2020-01-07