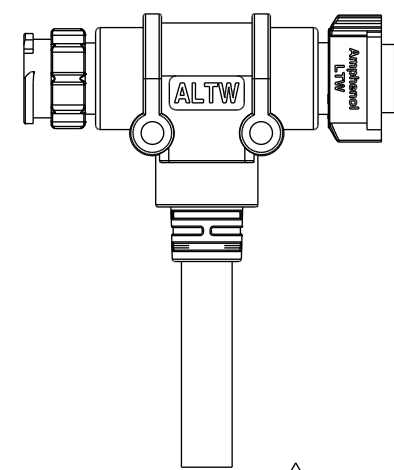
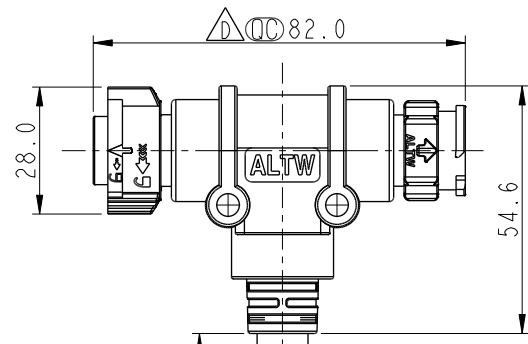
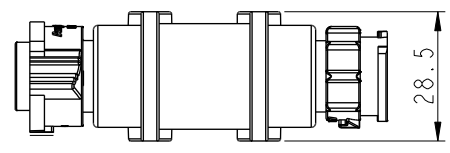


THIS DOCUMENT IS SUBJECT TO CHANGE WITHOUT NOTICE. IT IS CONFIDENTIAL AND A PROPERTY OF AMPHENOL LTW. DISCLOSURE TO THIRD PARTY HAS TO BE AUTHORIZED BY AMPHENOL LTW.


REV.	ECN NO.	DATE	SIGN	DESCRIPTION
D	C200958	2020/06/19	Ouyang	$\triangle D$ X1
E	C220487	2022/04/20	Vicky	$\triangle E$ X4
F	C230087	2023/01/31	Vicky	$\triangle F$ X2



$\triangle B$  Conn. 1  
Female Conn  
Male Pin

Conn. 2  
Male Conn  
Female Pin  $\triangle B$

- $\triangle E$  Note:
- \* RoHS Compliant
  - \*  $\text{CC}$  Important dimension
  - \* C1
  - $\triangle F$  Waterproof rate: IP67  
Housing: Thermoplastic, Black  
Pin: Copper alloy, Gold plated  
O-Ring: Rubber, Gray  
Nut: Thermoplastic, Black
  - \* C2
  - $\triangle F$  Waterproof rate: IP67  
Housing: Thermoplastic, Black  
Pin: Copper alloy, Gold plated  
\* Outer Mold: Thermoplastic, Black

UNIT: mm   
TOLERANCE  
 $\pm 0.5\text{mm}$

TITLE ACC, XLOK, C-20A, T ADA W/ CB FM $\triangle E$		
SCALE 3:5	SIZE A4	SHEET 1 OF 2
REV. F	WC-REV. .0	$\text{CC}$ : Inspection item

**Amphenol LTW**  
安費諾亮泰企業股份有限公司

ITEM NO	DRAWN BY Ouyang	DATE 2019-08-05
DWG NO AB-CC-XXXX00-BH0-TQEXX	CHECKED BY Jerry	DATE 2019-08-05
CUSTOMER ALTW	APPROVED BY Fred	DATE 2019-08-05

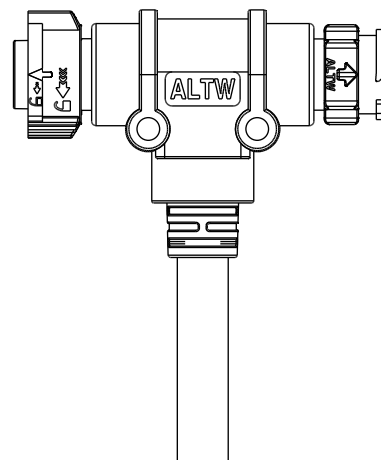
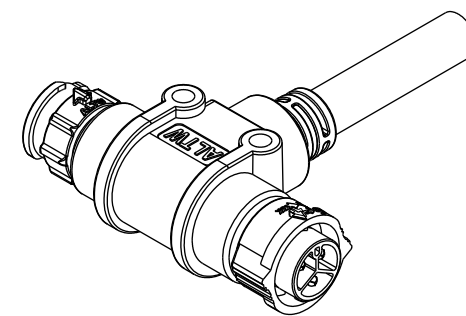
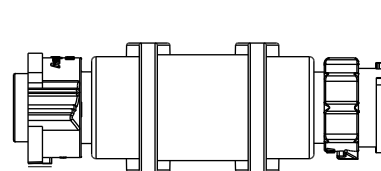
THIS DOCUMENT IS SUBJECT TO CHANGE WITHOUT NOTICE. IT IS CONFIDENTIAL AND A PROPERTY OF AMPHENOL LTW. DISCLOSURE TO THIRD PARTY HAS TO BE AUTHORIZED BY AMPHENOL LTW.

AB-CC-XXXX00-BH0-TQEXX



XXXX: No. Of Pin

XX:01~99Meters  
 01:01Meter  
 02:02Meters  
 :  
 99:99Meters



1	White	白	1	White	白
3	Black	黑	3	Black	黑
Conn.1	Internal Wiring		Conn.2	Internal Wiring	
Cable	Drop Cable: SJTW 12AWG*2C,PVC Jacket UV resistant, OD10.7, Black				

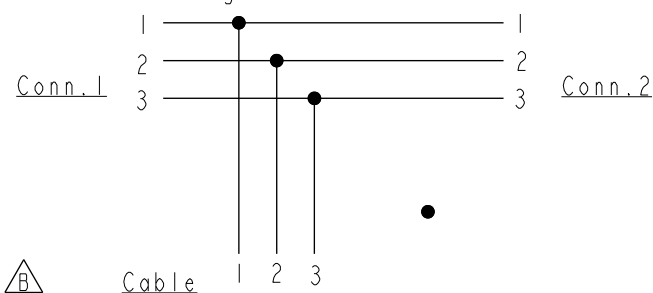
2Pin Assignments Pin Out And Cable SPEC.

1	White	白	1	White	白
2	Green	綠	2	Green	綠
3	Red	紅	3	Red	紅
Conn.1	Internal Wiring		Conn.2	Internal Wiring	

Cable	Drop Cable: SJTW 12AWG*3C,PVC Jacket UV resistant, OD11.2, Black				
-------	---	--	--	--	--

3Pin Assignments Pin Out And Cable SPEC.

Connection Diagram



	Pin Assignments Front View	
	2Pin	3Pin
Male		
Female		

UNIT:mm		TITLE	ACC, XLOK, C-20A, T ADA W/ CB FM		
TOLERANCE	±0.5mm	SCALE	3:5	SIZE	A4
		REV.	F	WC-REV.	.0
		SHEET	2	OF	2
		QC: Inspection item			

**Amphenol LTW**  
 安費諾亮泰企業股份有限公司

ITEM NO	DRAWN BY	DATE
DWG NO	CHECKED BY	DATE
CUSTOMER	APPROVED BY	DATE
ALTW	Ouyang	2019-08-05
	Jerry	2019-08-05
	Fred	2019-08-05