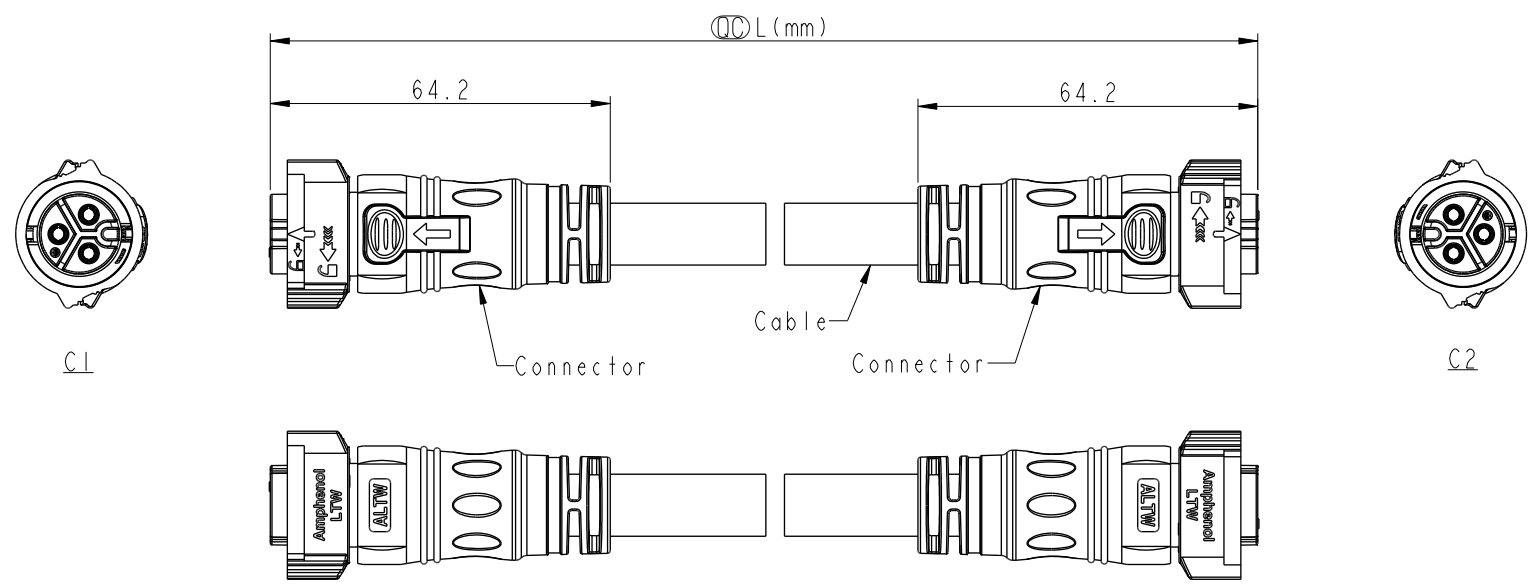


THIS DOCUMENT IS SUBJECT TO CHANGE WITHOUT NOTICE. IT IS CONFIDENTIAL AND A PROPERTY OF Amphenol LTW. DISCLOSURE TO THIRD PARTY HAS TO BE AUTHORIZED BY Amphenol LTW.

REV.	ECN NO.	DATE	SIGN	DESCRIPTION
A		2020/01/07	Ruru	Initial Released
B	C220461	2022/03/29	Ruru	$\triangle B$ X2
C	C230116	2023/02/06	Vicky	$\triangle C$ X1



- Note: $\triangle B$
- * RoHS Compliant
 - * \odot Important dimension
 - $\triangle C$ * Waterproof rate: IP68, mated 1m/24h
 - * Connector
 - Housing: Thermoplastic, Black
 - Pin: Copper Alloy, Gold Plated
 - O-Ring: Rubber, Gray
 - Nut: Thermoplastic, Black
 - Outer mold: Thermoplastic, Black
 - * Cable: SJTW, PVC Jacket, Black
 - * Cable length tolerance:
 - 0.5M < L ≤ 1M: +60/-0 mm
 - 1M < L ≤ 3M: +120/-0 mm
 - 3M < L ≤ 5M: +160/-0 mm
 - 5M < L ≤ 10M: ±100 mm
 - 10M < L ≤ 20M: ±200 mm
 - 20M < L ≤ 30M: ±300 mm
 - 30M < L ≤ 99M: ±500 mm

UNIT: mm		TITLE	ACC, XLOK, C-20A, DB-ENDED FF	
TOLERANCE	±0.5 mm	SCALE	1:2	SIZE A4
		REV.	C	WC-REV.
			\odot : Inspection item	

Amphenol LTW
安費諾亮泰企業股份有限公司

ITEM NO	DRAWN BY	DATE
	Ruru	2020-01-07
DWG NO	CHECKED BY	DATE
AB-CCXXFL-CCFL-QEXXX	Rita	2020-01-07
CUSTOMER	APPROVED BY	DATE
ALTW	Max	2020-01-07

THIS DOCUMENT IS SUBJECT TO CHANGE WITHOUT NOTICE. IT IS CONFIDENTIAL AND A PROPERTY OF Amphenol LTW. DISCLOSURE TO THIRD PARTY HAS TO BE AUTHORIZED BY Amphenol LTW.

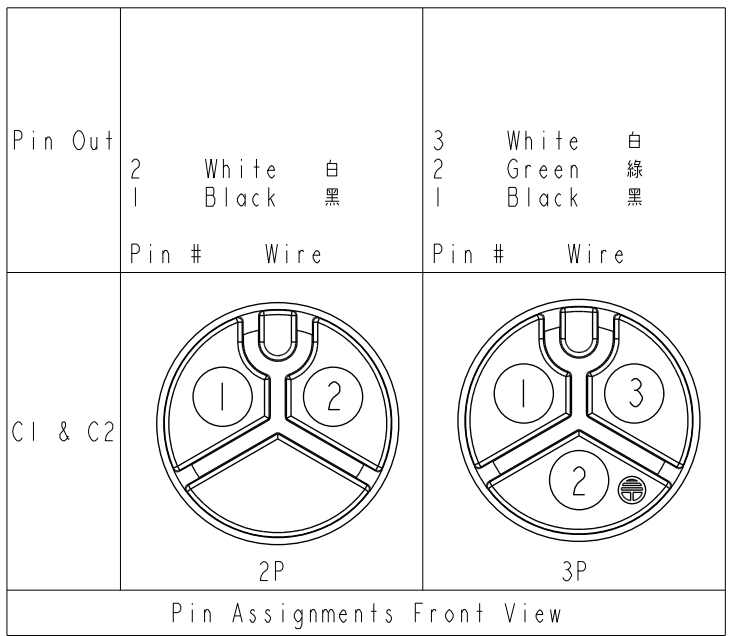
3P		PVC	11.7	12	AB-CC03FL-CCFL-QEXXX
2P			10.7		AB-CC02FL-CCFL-QEXXX
Contacts	Cable Jacket	Cable OD	AWG	Item No.	

AB- CC XX F L - CC F L - Q E XXX



XX: No. Of Pin

XXX: 0.5~99Meters
 A05: 0.5 Meter
 001: 01 Meter
 002: 02 Meters
 :
 099: 99 Meters



UNIT:mm

TOLERANCE ± 0.5 mm

TITLE ACC, XLOK, C-20A, DB-ENDED FF

SCALE 1:2 SIZE A4 SHEET 2 OF 2

REV. C WC-REV. Inspection item

Amphenol LTW
 安費諾亮泰企業股份有限公司

ITEM NO	DRAWN BY Ruru	DATE 2020-01-07
DWG NO AB-CCXXFL-CCFL-QEXXX	CHECKED BY Rita	DATE 2020-01-07
CUSTOMER ALTW	APPROVED BY Max	DATE 2020-01-07