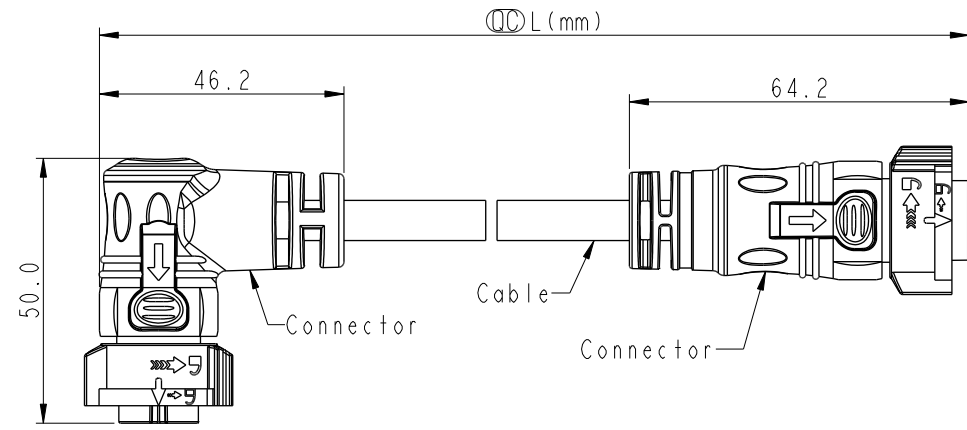
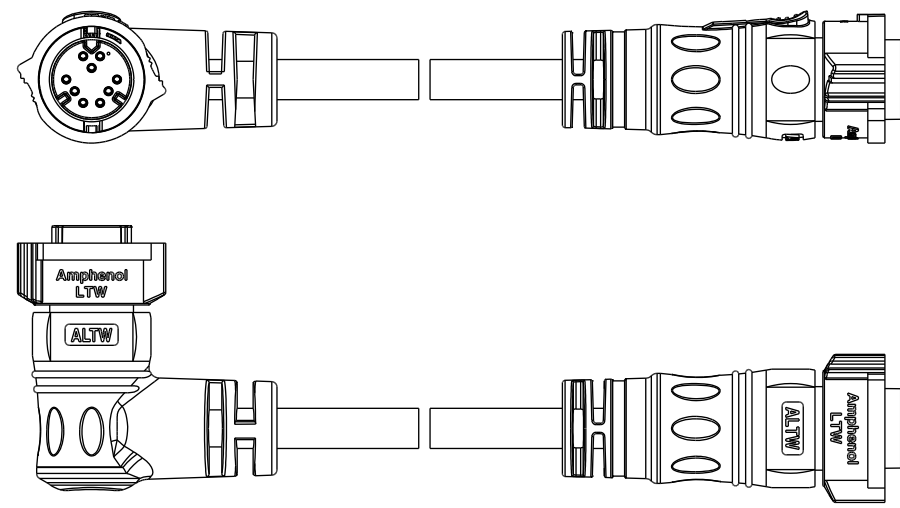


THIS DOCUMENT IS SUBJECT TO CHANGE WITHOUT NOTICE. IT IS CONFIDENTIAL AND A PROPERTY OF Amphenol LTW. DISCLOSURE TO THIRD PARTY HAS TO BE AUTHORIZED BY Amphenol LTW.

REV.	ECN NO.	DATE	SIGN	DESCRIPTION
A		2020/01/10	Ruru	Initial Released
B	C220462	2022/03/29	Ruru	$\triangle B$ X2
C	C230117	2023/02/07	Vicky	$\triangle C$ X2



- Note:  $\triangle B$
- \* RoHS Compliant
  - \*  $\circ$  Important dimension
  - \* C1
  - $\triangle C$  Waterproof rate: IP68, mated 1m/24h
    - Housing: Thermoplastic, Black
    - Pin: Copper Alloy, Gold Plated
    - O-Ring: Rubber, Gray
    - Nut: Thermoplastic, Black
    - Outer mold: Thermoplastic, Black
  - \* C2
  - $\triangle C$  Waterproof rate: IP68, mated 1m/24h
    - Housing: Thermoplastic, Black
    - Pin: Copper Alloy, Gold Plated
    - O-Ring: Rubber, Gray
    - Nut: Thermoplastic, Black
    - Outer mold: Thermoplastic, Black
  - \* Cable: UL21388, PVC Jacket, Black
  - \* Cable length tolerance:
    - 0.5M < L ≤ 1M: +60/-0 mm
    - 1M < L ≤ 3M: +120/-0 mm
    - 3M < L ≤ 5M: +160/-0 mm
    - 5M < L ≤ 10M: ±100 mm
    - 10M < L ≤ 20M: ±200 mm
    - 20M < L ≤ 30M: ±300 mm
    - 30M < L ≤ 99M: ±500 mm



UNIT: mm		TITLE	ACC, XLOK, C-5A, DB-ENDED FF		
TOLERANCE	$\pm 0.5$ mm	SCALE	1:2	SIZE	A4
		REV.	C	WC-REV.	
				$\circ$ Inspection item	

**Amphenol LTW**  
安費諾亮泰企業股份有限公司

ITEM NO.	DRAWN BY	DATE
	Ruru	2020-01-10
DWG NO.	CHECKED BY	DATE
AB-CDXXFR-CDBL-QDXXX	Rita	2020-01-10
CUSTOMER	APPROVED BY	DATE
ALTW	Max	2020-01-10

THIS DOCUMENT IS SUBJECT TO CHANGE WITHOUT NOTICE. IT IS CONFIDENTIAL AND A PROPERTY OF Amphenol LTW. DISCLOSURE TO THIRD PARTY HAS TO BE AUTHORIZED BY Amphenol LTW.

9P	PVC	7.6	20	AB-CD09FR-CDBL-QDXXX
8P		7.2		AB-CD09FR-CDBL-QDXXX
7P		6.8		AB-CD09FR-CDBL-QDXXX
Contacts	Cable Jacket	Cable OD	AWG	Item No.

AB- CD XX F R - CD B L - Q D XXX



XX: No. Of Pin

XXX: 0.5~99Meters  
A05: 0.5 Meter  
001: 01 Meter  
002: 02 Meters  
:  
099: 99 Meters

Pin Out	Pin #	Wire	Pin #	Wire	Pin #	Wire		
7	Orange	橙	8	Green	綠	9	Brown	棕
6	Blue	藍	7	Orange	橙	8	Green	綠
8	Green	綠	6	Blue	藍	7	Orange	橙
4	Yellow	黃	5	Purple	紫	6	Blue	藍
3	Black	黑	4	Yellow	黃	5	Purple	紫
2	Red	紅	3	Black	黑	4	Yellow	黃
1	Brown	棕	2	Red	紅	3	Black	黑
			1	Brown	棕	2	Red	紅
						1	Gray	灰

	C2		C1
	7P		7P
	8P		8P
	9P		9P

Pin Assignments Front View

UNIT:mm		TITLE	ACC, XLOK, C-5A, DB-ENDED FF
TOLERANCE	± 0.5 mm	SCALE	1:2
		SIZE	A4
		SHEET	2 OF 2
		REV.	C
		WC-REV.	
		QC	Inspection item

**Amphenol LTW**  
安費諾亮泰企業股份有限公司

ITEM NO	AB-CDXXFR-CDBL-QDXXX	DRAWN BY	Ruru	DATE	2020-01-10
DWG NO	AB-CDXXFR-CDBL-QDXXX	CHECKED BY	Rita	DATE	2020-01-10
CUSTOMER	ALTW	APPROVED BY	Max	DATE	2020-01-10